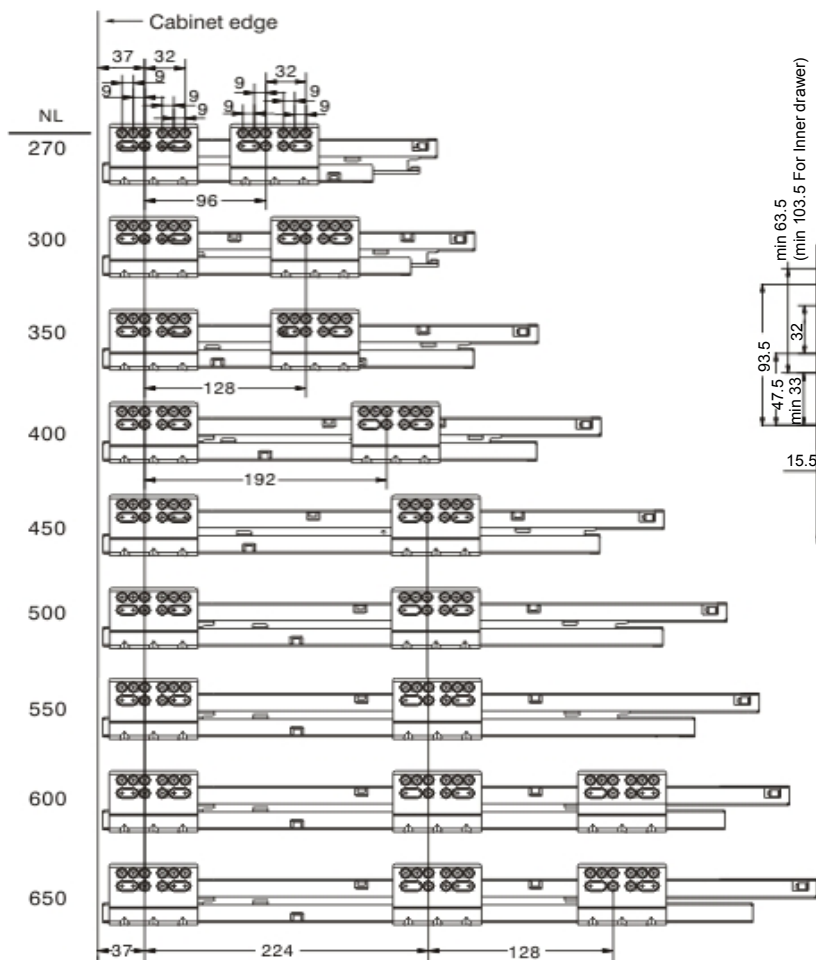
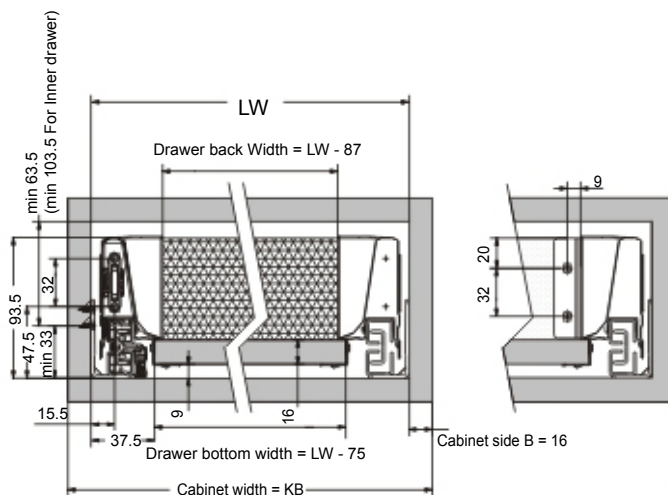


Screw Positions of the Slides

Installation Dimensions



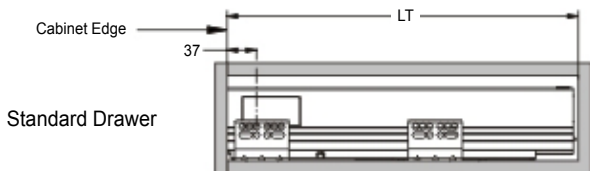
LW = Internal Cabinet Width



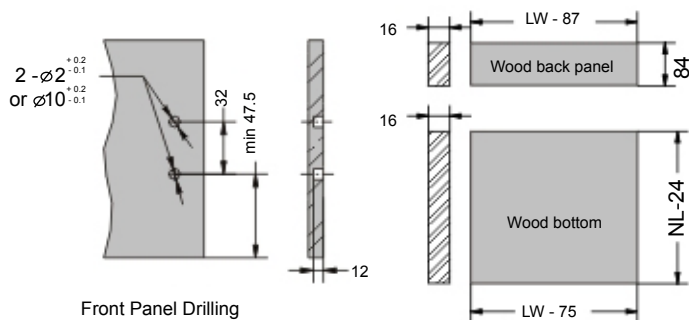
Installation Dimensions

Drawer Back, Drawer Bottom Dimensions

NL = Nominal Slide Length LT = Internal Cabinet Depth LT = NL + 3



Drawer Front Dimensions

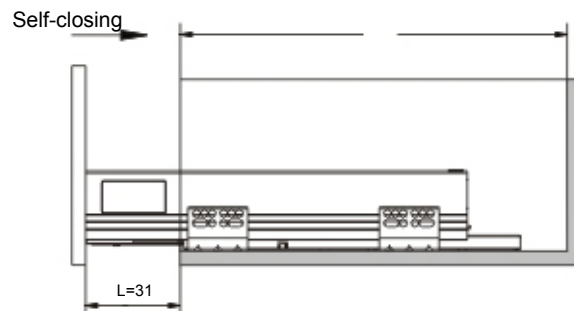


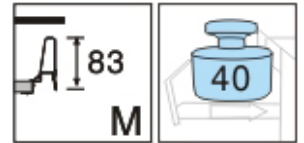
Cabinet Configuration

Self-Closing Distance

Cabinet widths	KB (mm)
	300
	350
	400
	450
	500
	600
	800
	900
	1000
	1200

For Cabinet widths(KB) 900mm-1200mm, Stabilizer is needed.





B01 83mm Lower Inner Drawer

- Concealed, full extension
- Dynamic load capacity: 40kg
Finish: White (E01), Silver Grey (E18)
Stainless Steel (F04)
- Easy installation and removal of drawer
- Silent and smooth running
- Four way drawer front adjustment

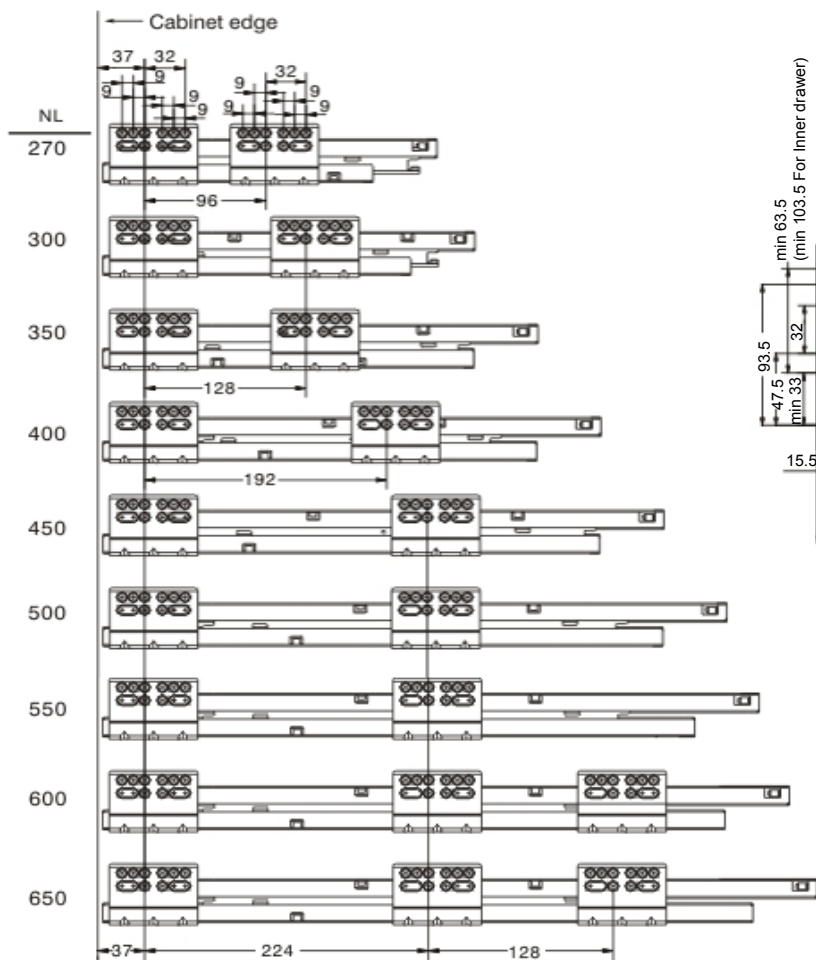


Lower Inner Drawer

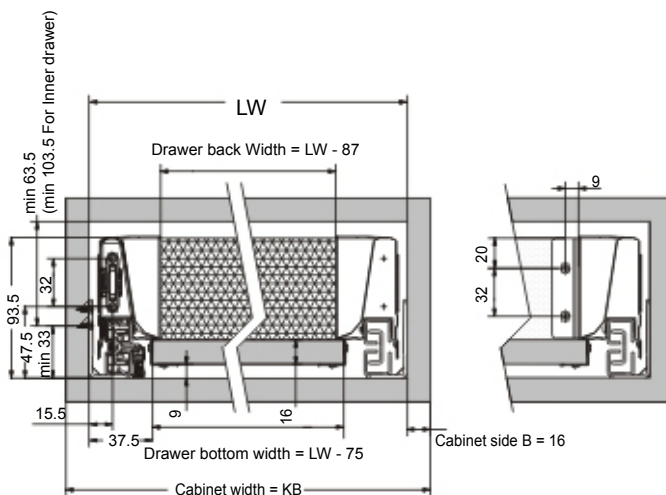
Kit Package				1 Slides left/right			2 Drawer Sides and Cover Caps left/right			
White (E01)	Silver Grey (E18)	Stainless Steel (F04)		Pre-zinc Steel (F02)			White (E01)	Silver Grey (E18)	Stainless Steel (F04)	
Nominal Length NL	Item No.	Set/ctn	Industrial Package	Item No.	Set/ctn	Industrial Package	Item No.	Set/ctn	Industrial Package	
270 mm	B01270Q	1		B01270H	5		B01270	5		
300 mm	B01300Q	1		B01300H	5		B01300	5		
350 mm	B01350Q	1		B01350H	5		B01350	5		
400 mm	B01400Q	1		B01400H	5		B01400	5		
450 mm	B01450Q	1		B01450H	5		B01450	5		
500 mm	B01500Q	1		B01500H	5		B01500	5		
550 mm	B01550Q	1		B01550H	5		B01550	5		
600 mm	B01600Q	1		B01600H	5		B01600	5		
650 mm	B01650Q	1		B01650H	5		B01650	5		
3 Back Fixing-brackets left/right				Industrial Package						
White (E01) Silver Grey (E18) Chrome Plated(C01)				set/ctn						
Item No.				B01031			60			
4 Front Fixing-brackets left/right				Industrial Package						
Grey (H11)				set/ctn						
Item No.				M01012			60			
5 Front Section (Not included in the kit)										
White (E01) Silver Grey (E18)				pcs/ctn						
For cutting to size, 1100mm. Cutting: Internal Cabinet Width LW-97										
Item No.				M01021			20			

Screw Positions of the Slides

Installation Dimensions



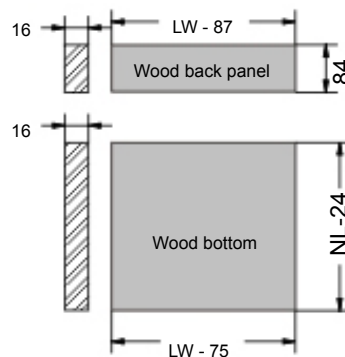
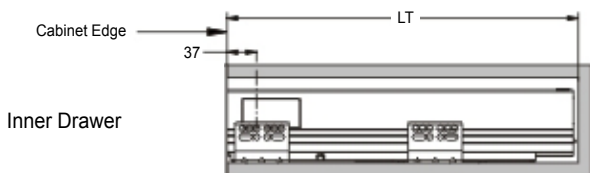
LW = Internal Cabinet Width



Installation Dimensions

Drawer Back, Drawer Bottom Dimensions

NL = Nominal Slide Length LT = Internal Cabinet Depth $LT = NL + 3$

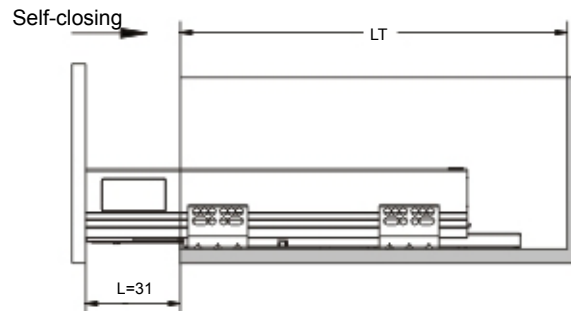


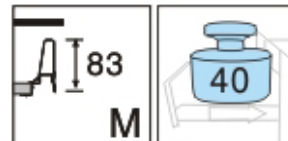
Cabinet Configuration

Self-Closing Distance

Cabinet widths	KB (mm)
	300
	350
	400
	450
	500
	600
	800
	900
	1000
	1200

For Cabinet widths(KB) 900mm-1200mm, Stabilizer is needed.





B01 83mm Medium Drawer

- Concealed, full extension
- Dynamic load capacity: 40kg
Finish: White (E01), Silver Grey (E18)
Stainless Steel (F04)
- Easy installation and removal of drawer
- Silent and smooth running
- Four way drawer front adjustment



Medium Drawer with Single Round Railing

Kit Package White (E01) Silver Grey (E18) Stainless Steel (F04)			Slides left/right Pre-zinc Steel (F02)			Drawer Sides and Cover Caps left/right White (E01) Silver Grey (E18) Stainless Steel (F04)		
---	--	--	--	--	--	--	--	--

Nominal Length NL	Item No.	Set/ctn
270 mm	B01270B	1
300 mm	B01300B	1
350 mm	B01350B	1
400 mm	B01400B	1
450 mm	B01450B	1
500 mm	B01500B	1
550 mm	B01550B	1
600 mm	B01600B	1
650 mm	B01650B	1

Industrial Package	Item No.	Set/ctn
	B01270H	5
	B01300H	5
	B01350H	5
	B01400H	5
	B01450H	5
	B01500H	5
	B01550H	5
	B01600H	5
	B01650H	5

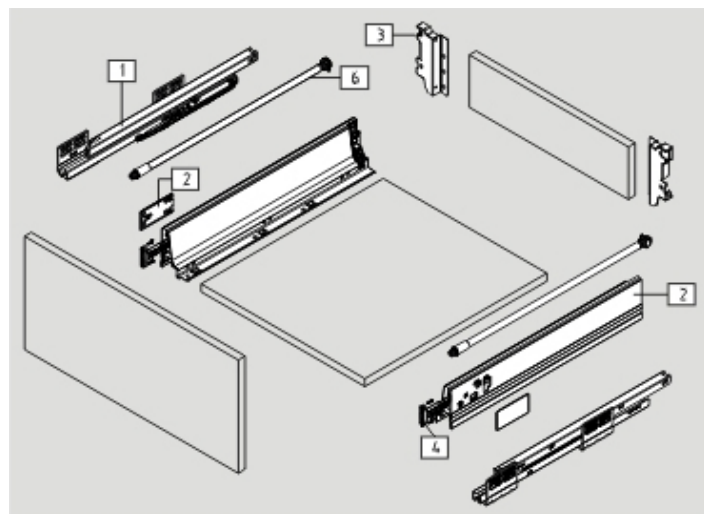
Industrial Package	Item No.	Set/ctn
	B01270	5
	B01300	5
	B01350	5
	B01400	5
	B01450	5
	B01500	5
	B01550	5
	B01600	5
	B01650	5

Round Side Rails left/right White (E01) Silver Grey (E18) Chrome Plated (C01)		
---	--	--

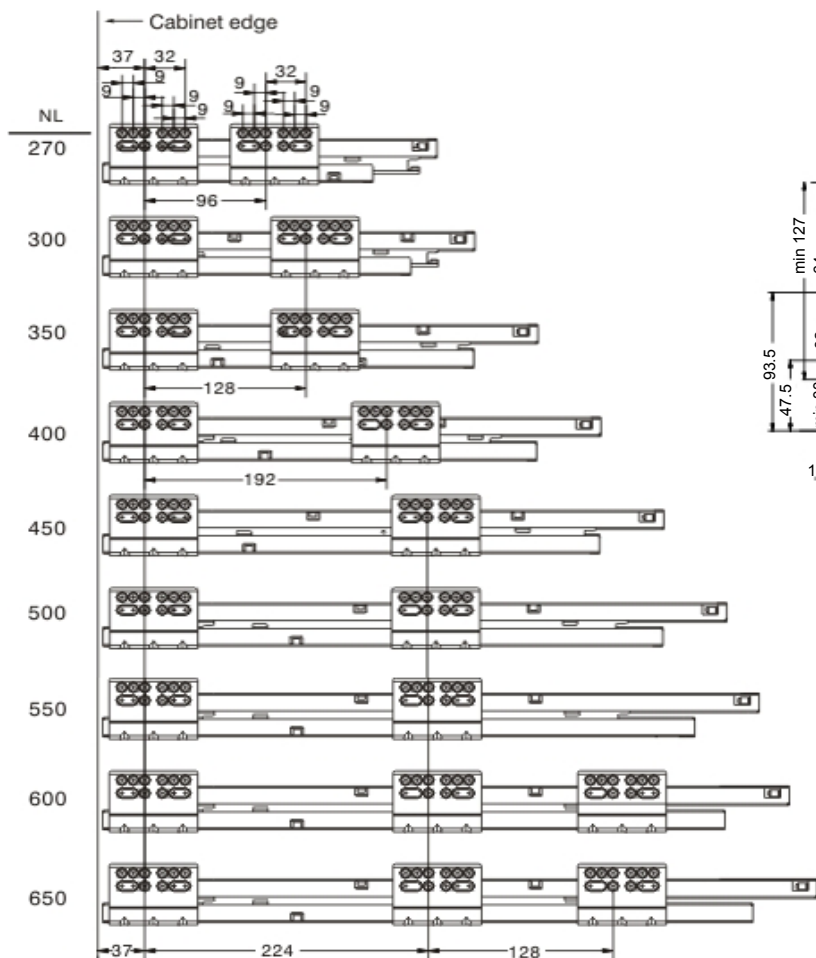
Nominal Length NL	Item No.	Set/ctn
270 mm	M01041270	60
300 mm	M01041300	60
350 mm	M01041350	60
400 mm	M01041400	60
450 mm	M01041450	60
500 mm	M01041500	60
550 mm	M01041550	60
600 mm	M01041600	60
650 mm	M01041650	60

Back Fixing-brackets left/right				Industrial Package
White (E01)	Silver Grey (E18)	Chrome Plated (C01)	set/ctn	
	Item No.	B01032	40	

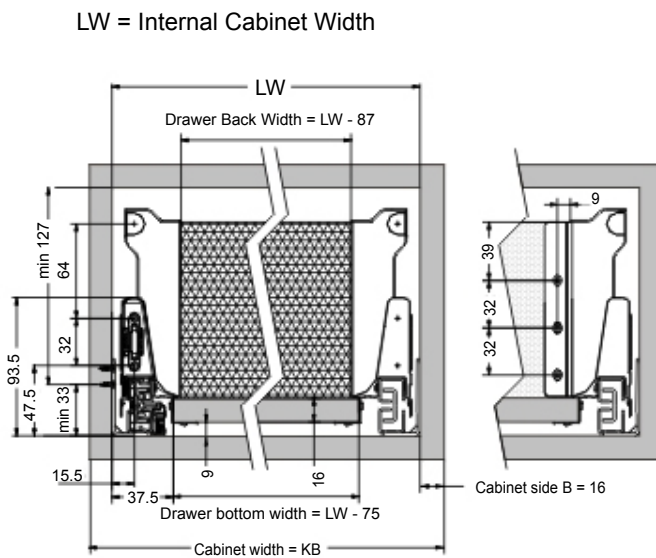
Front Fixing-brackets				Industrial Package
Zinc Plated (B01)	Nickel Plated (A02)		set/ctn	
Ezy fix	Item No.	M01019	120	
Press-in	Item No.	M01016	120	



Screw Positions of the Slides

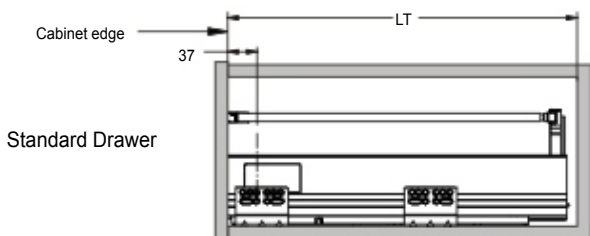


Installation Dimensions

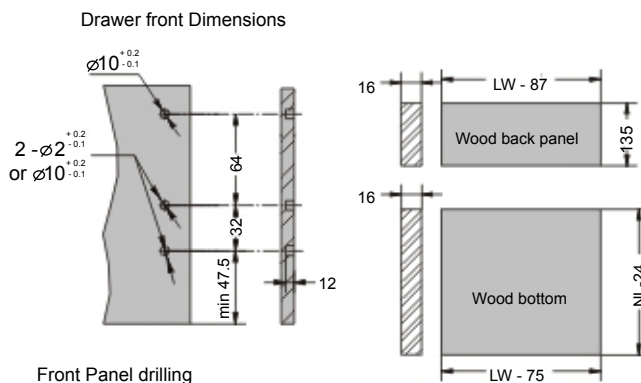


Installation Dimensions

NL = Nominal Slide Length LT = Internal Cabinet Depth $LT = NL + 3$



Drawer Back, Drawer Bottom Dimensions

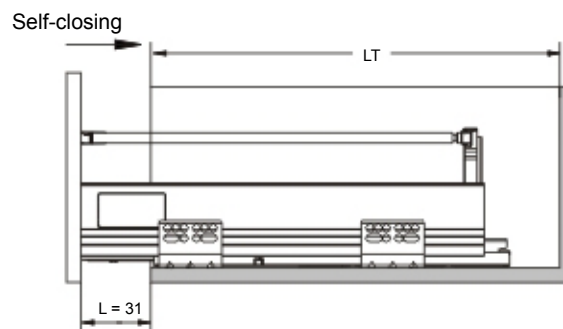


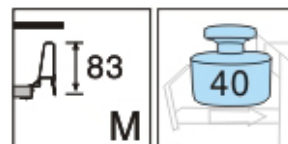
Cabinet Configuration

KB (mm)
300
350
400
450
500
600
800
900
1000
1200

For Cabinet widths (KB) 900mm-1200mm, Stabilizer is needed.

Self-Closing Distance





B01 83mm Medium Inner Drawer

- Concealed, full extension
- Dynamic load capacity: 40kg
Finish: White (E01), Silver Grey (E18)
Stainless Steel (F04)
- Easy installation and removal of drawer
- Silent and smooth running
- Four way drawer front adjustment



Medium Inner Drawer with Single Round Railing

Kit Package White (E01) Silver Grey (E18) Stainless Steel (F04)			Slides left/right Pre-zinc Steel (F02)			Drawer Sides and Cover Caps left/right White (E01) Silver Grey (E18) Stainless Steel (F04)		
---	--	--	--	--	--	--	--	--

Nominal Length NL	Item No.	Set/ctn
270 mm	B01270R	1
300 mm	B01300R	1
350 mm	B01350R	1
400 mm	B01400R	1
450 mm	B01450R	1
500 mm	B01500R	1
550 mm	B01550R	1
600 mm	B01600R	1
650 mm	B01650R	1

Industrial Package	Item No.	Set/ctn
	B01270H	5
	B01300H	5
	B01350H	5
	B01400H	5
	B01450H	5
	B01500H	5
	B01550H	5
	B01600H	5
	B01650H	5

Industrial Package	Item No.	Set/ctn
	B01270	5
	B01300	5
	B01350	5
	B01400	5
	B01450	5
	B01500	5
	B01550	5
	B01600	5
	B01650	5

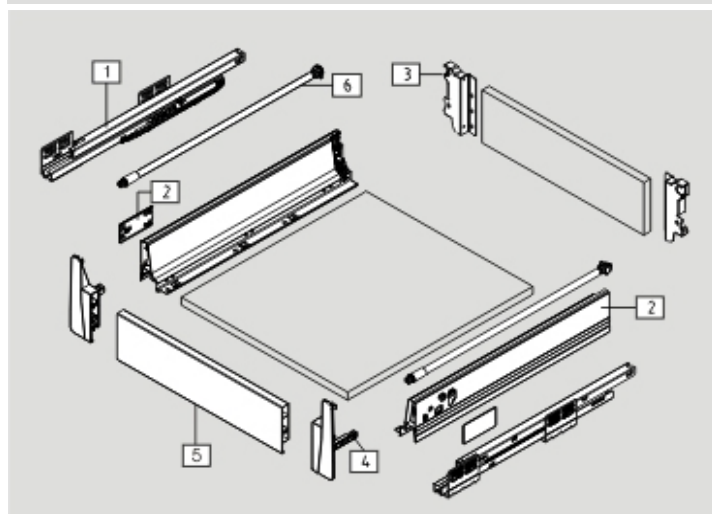
Round Side Rails left/right White (E01) Silver Grey (E18) Chrome Plated (C01)		
---	--	--

Nominal Length NL	Item No.	Set/ctn
270 mm	M01041270	60
300 mm	M01041300	60
350 mm	M01041350	60
400 mm	M01041400	60
450 mm	M01041450	60
500 mm	M01041500	60
550 mm	M01041550	60
600 mm	M01041600	60
650 mm	M01041650	60

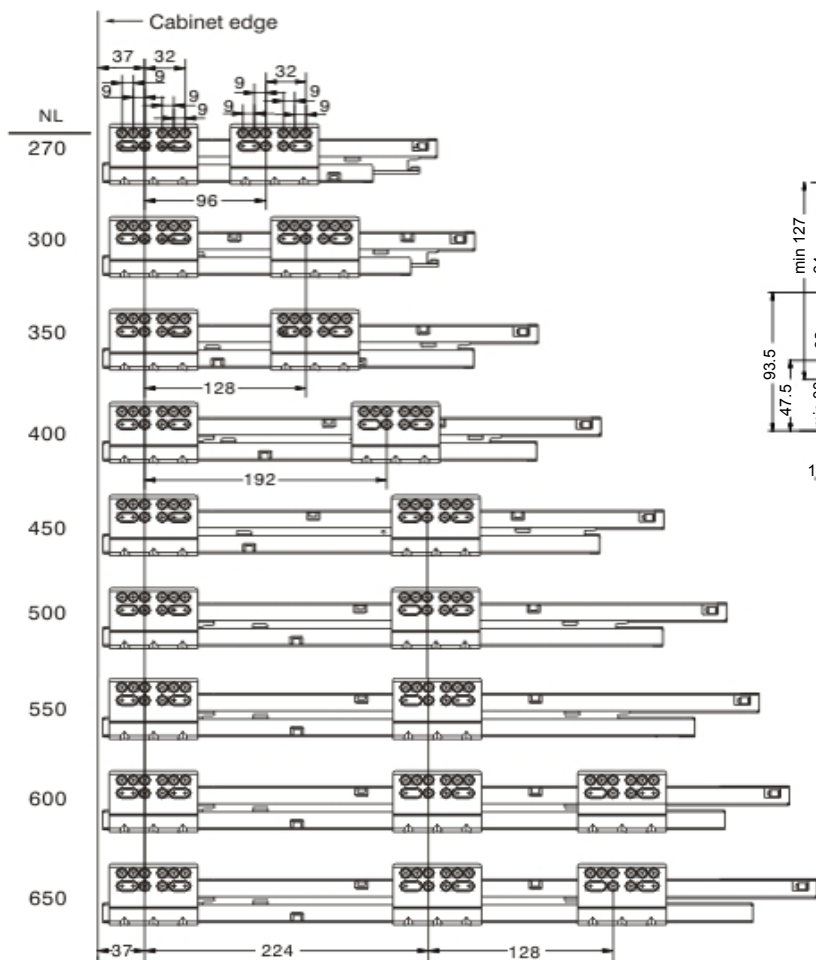
Back Fixing-brackets left/right				Industrial Package
White (E01)	Silver Grey (E18)	Chrome Plated (C01)	set/ctn	
	Item No.	B01032	40	

Front Fixing-brackets				Industrial Package
Grey (H11)			set/ctn	
	Item No.	M01013	40	

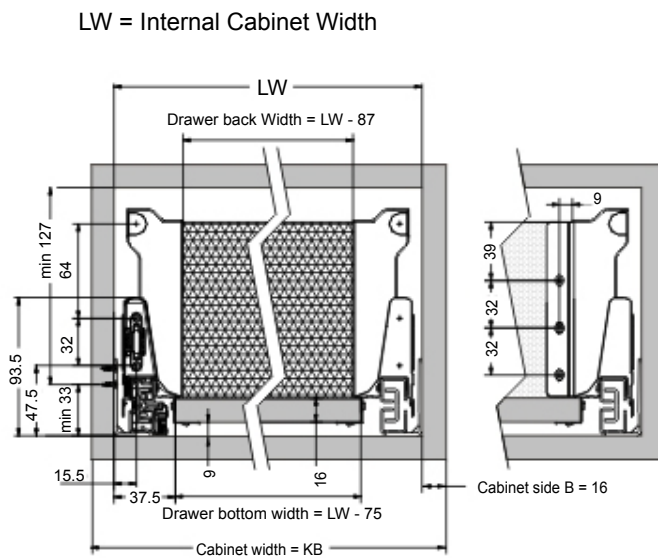
Front Section (Not included in the kit)				
White (E01)	Silver Grey (E18)		pcs/ctn	
For cutting to size, 1100mm. Cutting: Internal Cabinet Width LW-97				
	Item No.	M01021	20	



Screw Positions of the Slides

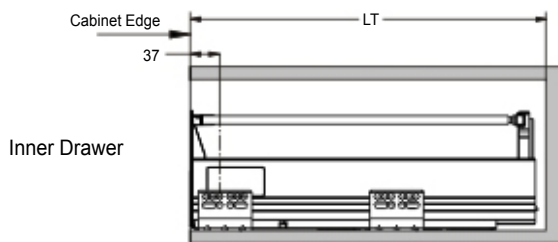


Installation Dimensions

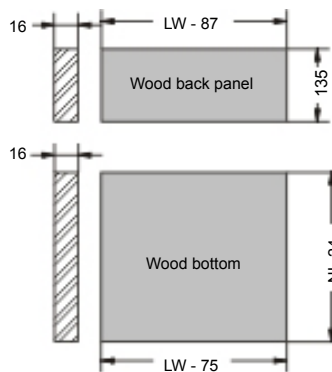


Installation Dimensions

NL = Nominal Slide Length LT = Internal Cabinet Depth $LT = NL + 3$



Drawer Back, Drawer Bottom Dimensions

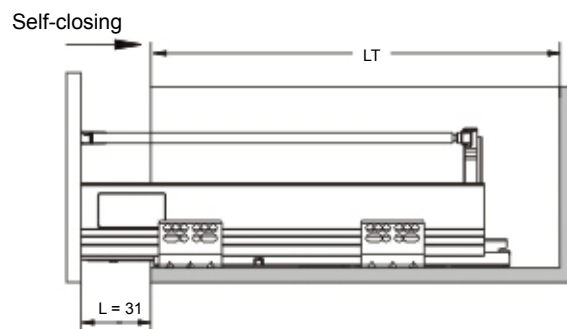


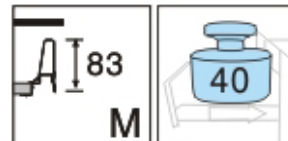
Cabinet Configuration

KB (mm)
300
350
400
450
500
600
800
900
1000
1200

For Cabinet widths (KB) 900mm-1200mm, Stabilizer is needed.

Self-Closing Distance





B01 83mm High Drawer

- Concealed, full extension
- Dynamic load capacity: 40kg
Finish: White (E01), Silver Grey (E18)
Stainless Steel (F04)
- Easy installation and removal of drawer
- Silent and smooth running
- Four way drawer front adjustment



High Drawer with Double Round Railing

Kit Package White (E01) Silver Grey (E18) Stainless Steel (F04)			Slides left/right Pre-zinc Steel (F02)			Drawer Sides and Cover Caps left/right White (E01) Silver Grey (E18) Stainless Steel (F04)		
---	--	--	--	--	--	--	--	--

Nominal Length NL	Item No.	Set/ctn
270 mm	B01270D	1
300 mm	B01300D	1
350 mm	B01350D	1
400 mm	B01400D	1
450 mm	B01450D	1
500 mm	B01500D	1
550 mm	B01550D	1
600 mm	B01600D	1
650 mm	B01650D	1

Industrial Package	Item No.	Set/ctn
	B01270H	5
	B01300H	5
	B01350H	5
	B01400H	5
	B01450H	5
	B01500H	5
	B01550H	5
	B01600H	5
	B01650H	5

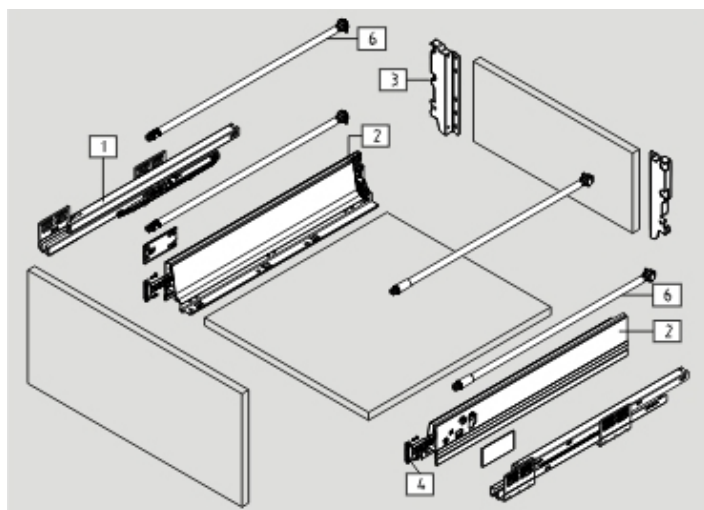
Industrial Package	Item No.	Set/ctn
	B01270	5
	B01300	5
	B01350	5
	B01400	5
	B01450	5
	B01500	5
	B01550	5
	B01600	5
	B01650	5

Round Side Rails left/right White (E01) Silver Grey (E18) Chrome Plated (C01)		
---	--	--

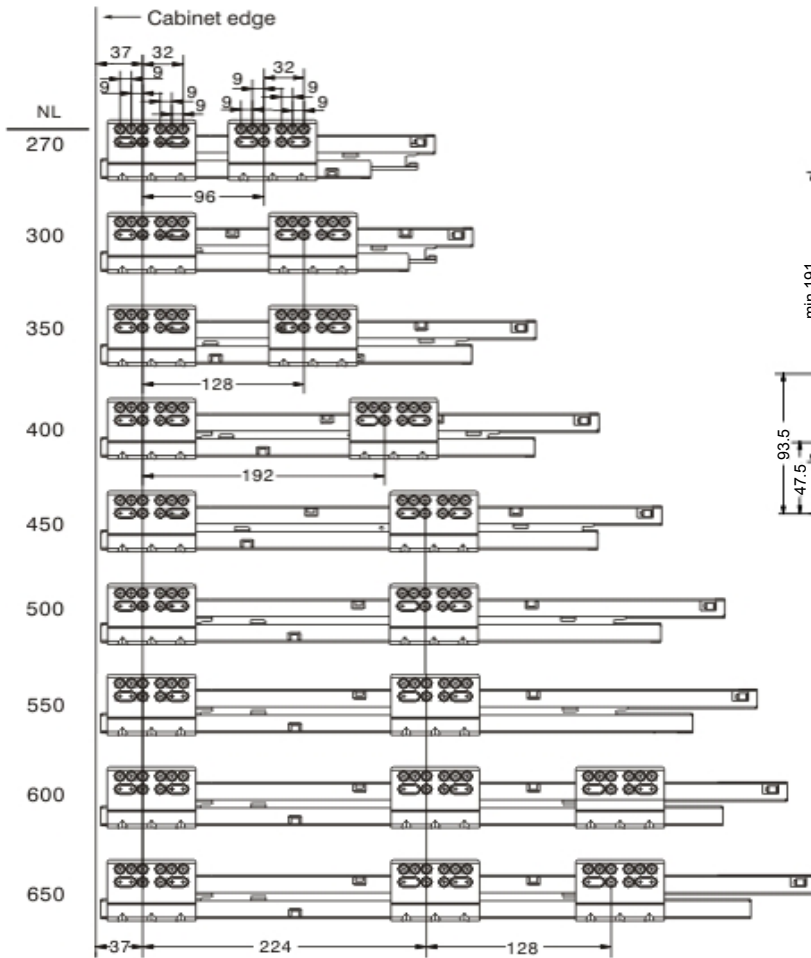
Nominal Length NL	Item No.	Set/ctn
270 mm	M01041270	60
300 mm	M01041300	60
350 mm	M01041350	60
400 mm	M01041400	60
450 mm	M01041450	60
500 mm	M01041500	60
550 mm	M01041550	60
600 mm	M01041600	60
650 mm	M01041650	60

Back Fixing-brackets left/right Industrial Package			
White (E01)	Silver Grey (E18)	Chrome Plated (C01)	set/ctn
	Item No.	B01033	20

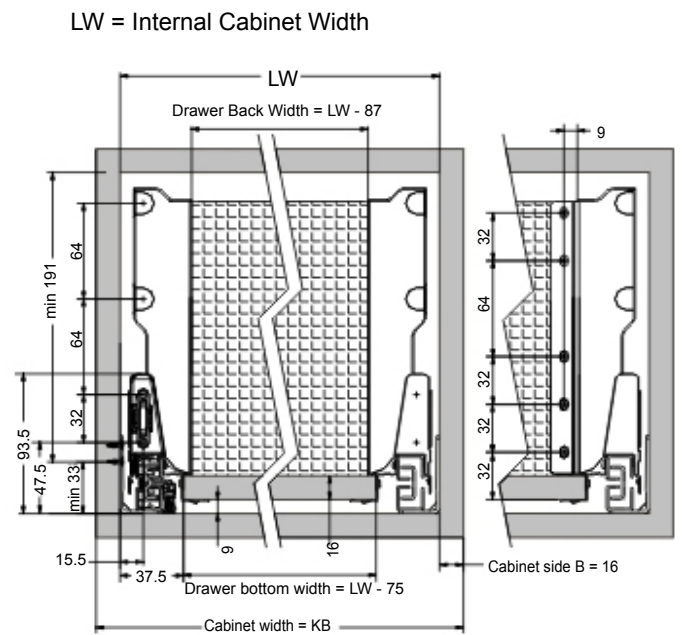
Front Fixing-brackets Industrial Package			
Zinc Plated (B01)	Nickel Plated (A02)		set/ctn
Ezy fix	Item No.	M01019	120
Press-in	Item No.	M01016	120



Screw Positions of the Slides

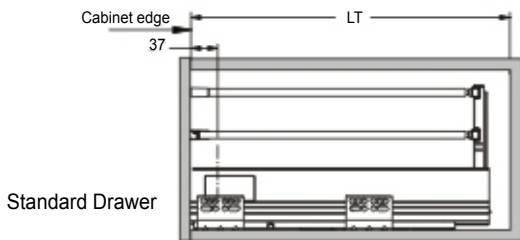


Installation Dimensions

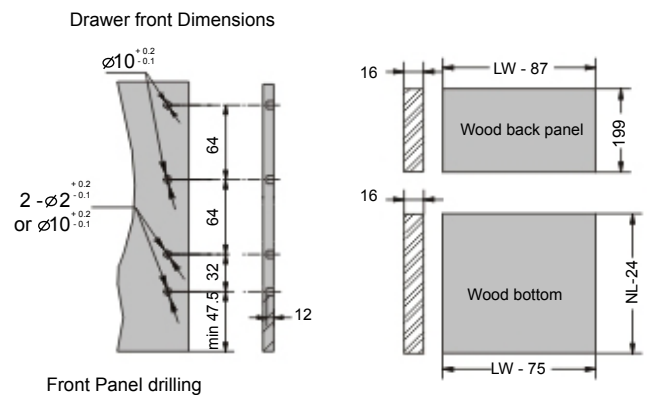


Installation Dimensions

NL = Nominal Slide Length LT = Internal Cabinet Depth $LT = NL + 3$



Drawer Back, Drawer Bottom Dimensions

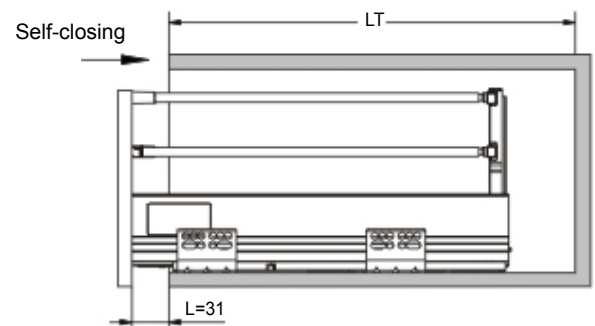


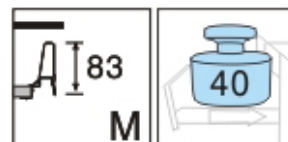
Cabinet Configuration

KB (mm)
300
350
400
450
500
600
800
900
1000
1200

For Cabinet widths (KB) 900mm-1200mm, Stabilizer is needed.

Self-Closing Distance





B01 83mm High Inner Drawer

- Concealed, full extension
- Dynamic load capacity: 40kg
Finish: White (E01), Silver Grey (E18)
Stainless Steel (F04)
- Easy installation and removal of drawer
- Silent and smooth running
- Four way drawer front adjustment



High Inner Drawer with Double Round Railing

Kit Package			1 Slides left/right			2 Drawer Sides and Cover Caps left/right		
White (E01)	Silver Grey (E18)	Stainless Steel (F04)	Pre-zinc Steel (F02)			White (E01)	Silver Grey (E18)	Stainless Steel (F04)

Nominal Length NL	Item No.	Set/ctn
270 mm	B01270T	1
300 mm	B01300T	1
350 mm	B01350T	1
400 mm	B01400T	1
450 mm	B01450T	1
500 mm	B01500T	1
550 mm	B01550T	1
600 mm	B01600T	1
650 mm	B01650T	1

Industrial Package	Item No.	Set/ctn
	B01270H	5
	B01300H	5
	B01350H	5
	B01400H	5
	B01450H	5
	B01500H	5
	B01550H	5
	B01600H	5
	B01650H	5

Industrial Package	Item No.	Set/ctn
	B01270	5
	B01300	5
	B01350	5
	B01400	5
	B01450	5
	B01500	5
	B01550	5
	B01600	5
	B01650	5

6 Round Side Rails left/right		
White (E01)	Silver Grey (E18)	Chrome Plated (C01)

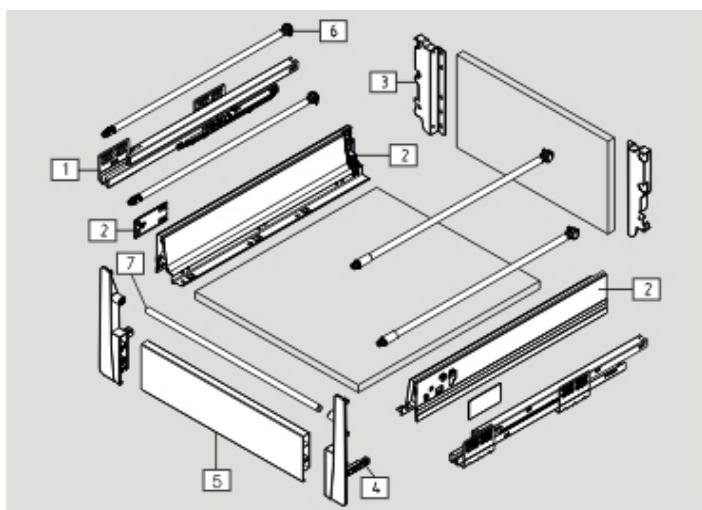
Nominal Length NL	Item No.	Set/ctn
270 mm	M01041270	60
300 mm	M01041300	60
350 mm	M01041350	60
400 mm	M01041400	60
450 mm	M01041450	60
500 mm	M01041500	60
550 mm	M01041550	60
600 mm	M01041600	60
650 mm	M01041650	60

3 Back Fixing-brackets left/right			Industrial Package
White (E01)	Silver Grey (E18)	Chrome Plated (C01)	set/ctn
	Item No.	B01033	20

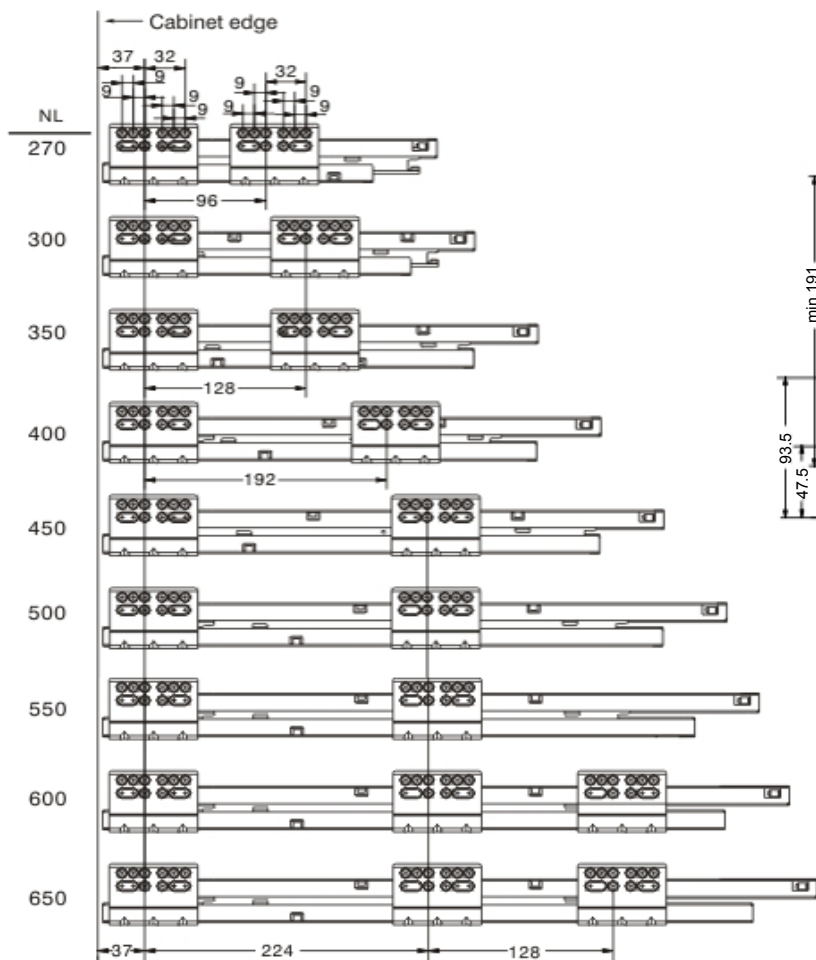
4 Front Fixing-brackets			Industrial Package
Grey (H11)			set/ctn
	Item No.	M01014	20

5 Front Section (Not included in the kit)			Industrial Package
White (E01)	Silver Grey (E18)		pcs/ctn
For cutting to size, 1100mm. Cutting: Internal Cabinet Width LW-97			
	Item No.	M01021	20

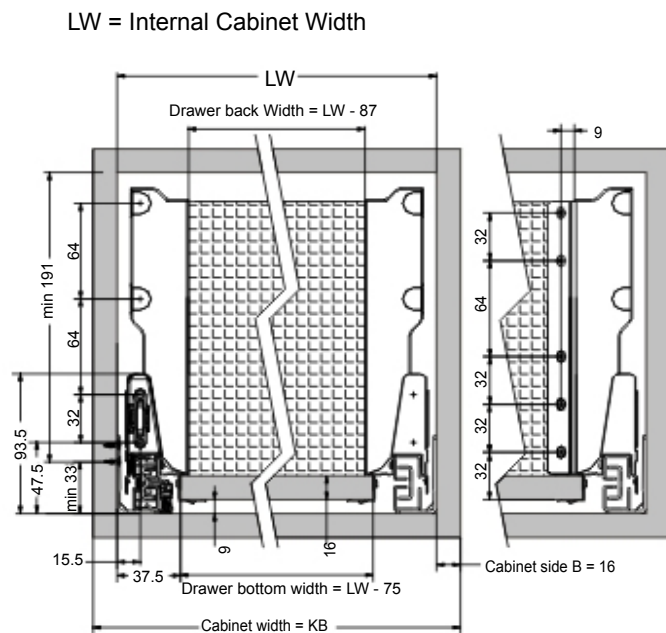
7 Cross Rail (Not included in the kit)			Industrial Package
White (E01)	Silver Grey (E18)		pcs/ctn
For cutting to size, 1100mm. Cutting: Internal Cabinet Width LW-74			
	Item No.	M01043	120



Screw Positions of the Slides

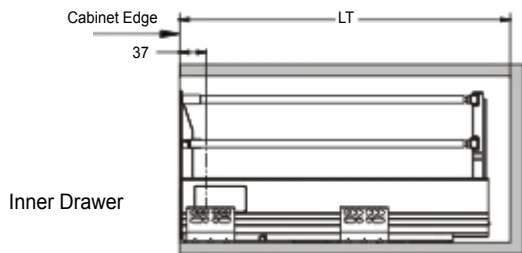


Installation Dimensions

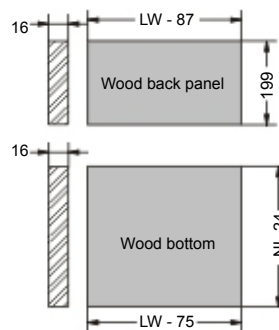


Installation Dimensions

NL = Nominal Slide Length LT = Internal Cabinet Depth $LT = NL + 3$



Drawer Back, Drawer Bottom Dimensions

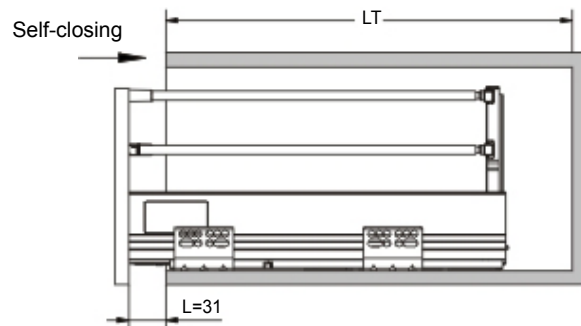


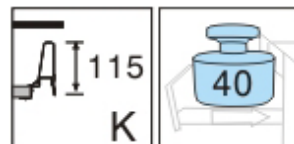
Cabinet Configuration

Cabinet widths	KB (mm)
	300
	350
	400
	450
	500
	600
	800
	900
	1000
	1200

For Cabinet widths (KB) 900mm-1200mm, Stabilizer is needed.

Self-Closing Distance





B02 115mm Lower Drawer

- Concealed, full extension
- Dynamic load capacity: 40kg
Finish: White (E01), Silver Grey (E18)
Stainless Steel (F04)
- Easy installation and removal of drawer
- Silent and smooth running
- Four way drawer front adjustment



Lower Drawer

Kit Package White (E01) Silver Grey (E18) Stainless Steel (F04)			Slides left/right Pre-zinc Steel (F02)			Drawer Sides and Cover Caps left/right White (E01) Silver Grey (E18) Stainless Steel (F04)		
--	--	--	---	--	--	---	--	--

Nominal Length NL	Item No.	Set/ctn
270 mm	B02270A	1
300 mm	B02300A	1
350 mm	B02350A	1
400 mm	B02400A	1
450 mm	B02450A	1
500 mm	B02500A	1
550 mm	B02550A	1
600 mm	B02600A	1
650 mm	B02650A	1

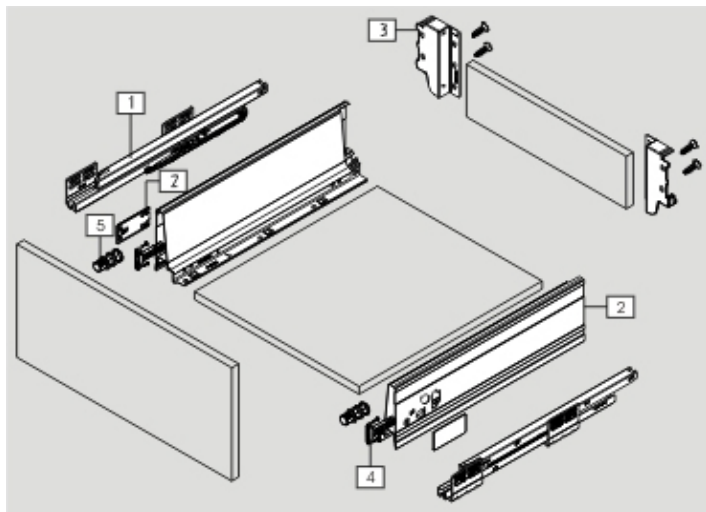
Industrial Package	Item No.	Set/ctn
	B02270H	5
	B02300H	5
	B02350H	5
	B02400H	5
	B02450H	5
	B02500H	5
	B02550H	5
	B02600H	5
	B02650H	5

Industrial Package	Item No.	Set/ctn
	B02270	5
	B02300	5
	B02350	5
	B02400	5
	B02450	5
	B02500	5
	B02550	5
	B02600	5
	B02650	5

Back Fixing-brackets left/right White (E01) Silver Grey (E18) Chrome Plated (C01)		Industrial Package	
	Item No.	B02031	60

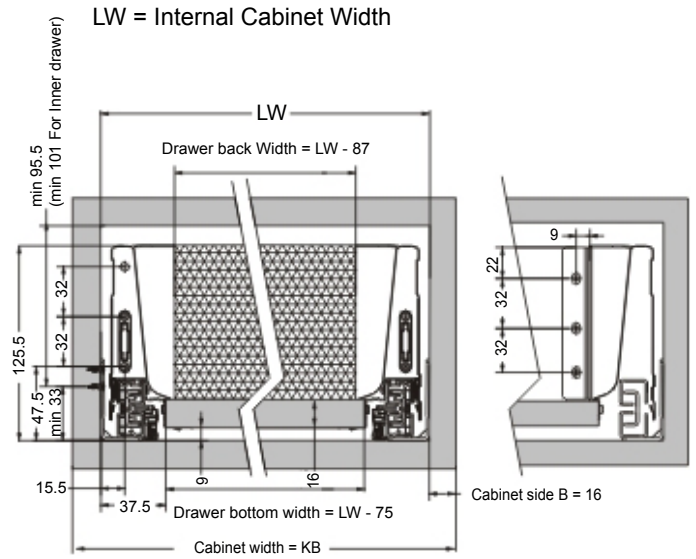
Front Fixing-brackets Zinc Plated (B01) Nickel Plated (A02)		Industrial Package	
	Item No.	M01019	120
	Item No.	M01016	120

Dowel Grey (H11)		Industrial Package	
	Item No.	M02014	120



Screw Positions of the Slides

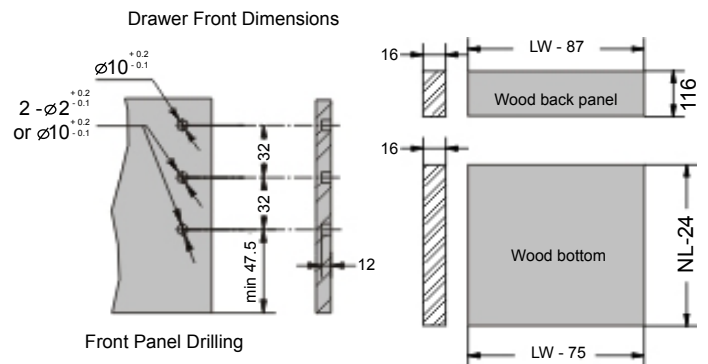
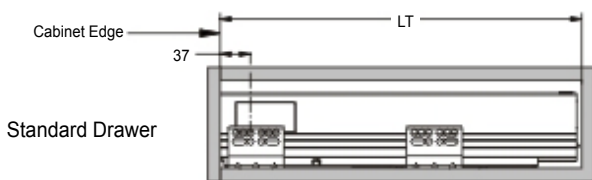
Installation Dimensions



Installation Dimensions

Drawer Back, Drawer Bottom Dimensions

NL = Nominal Slide Length LT = Internal Cabinet Depth $LT = NL + 3$

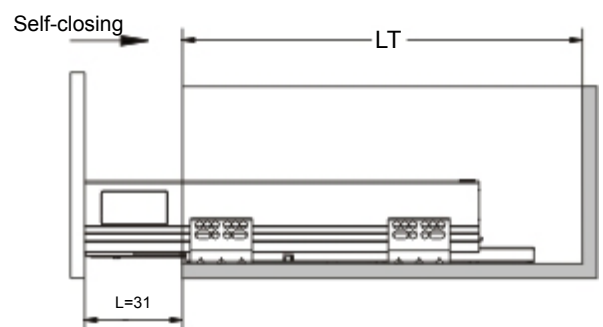


Cabinet Configuration

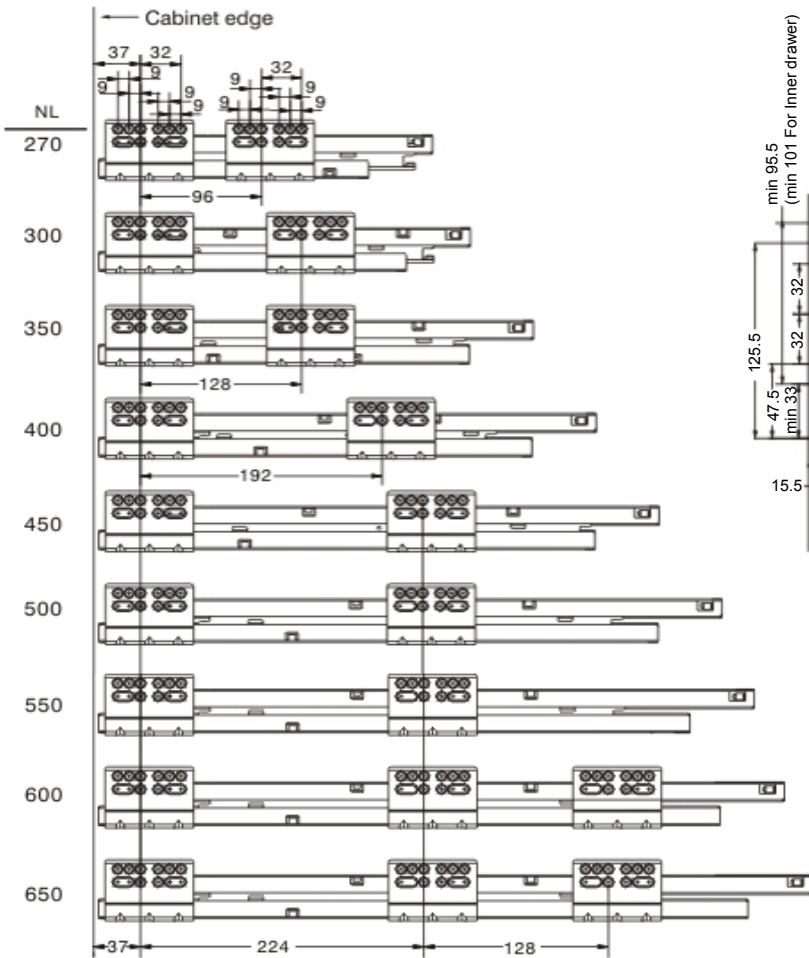
Self-Closing Distance

Cabinet widths	KB (mm)
	400
	450
	500
	600
	800
	900
	1000
	1200

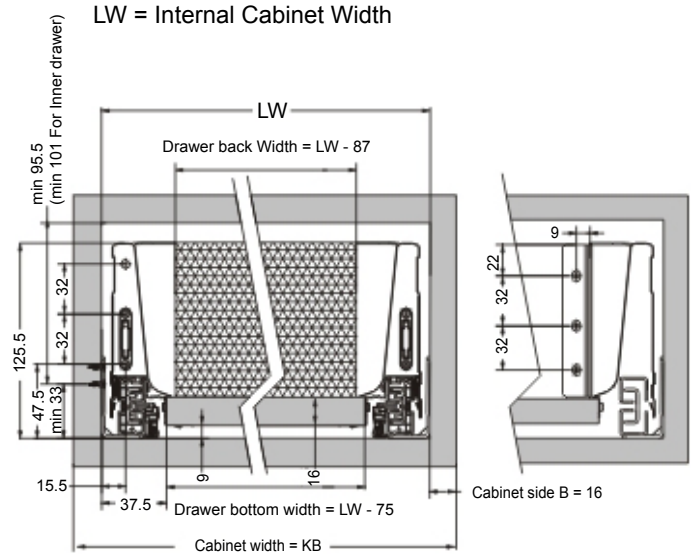
For Cabinet widths (KB) 900mm-1200mm, Stabilizer is needed.



Screw Positions of the Slides

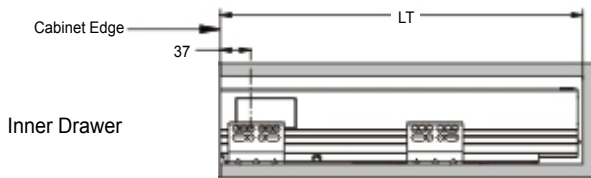


Installation Dimensions

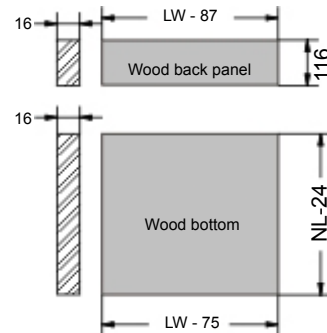


Installation Dimensions

NL = Nominal Slide Length LT = Internal Cabinet Depth $LT = NL + 3$



Drawer Back, Drawer Bottom Dimensions

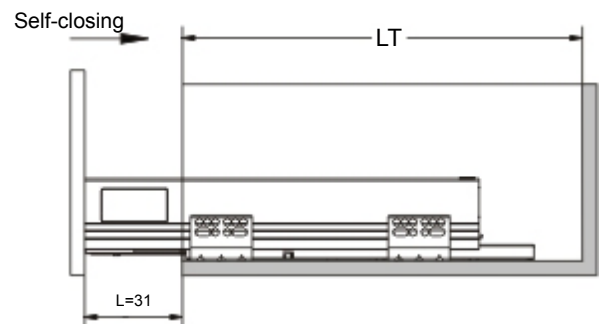


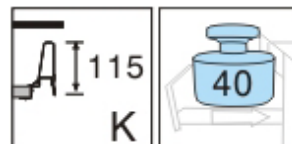
Cabinet Configuration

KB (mm)
400
450
500
600
800
900
1000
1200

For Cabinet widths(KB) 900mm-1200mm, Stabilizer is needed.

Self-Closing Distance





B02 115mm Medium Drawer

- Concealed, full extension
- Dynamic load capacity: 40kg
Finish: White (E01), Silver Grey (E18)
Stainless Steel (F04)
- Easy installation and removal of drawer
- Silent and smooth running
- Four way drawer front adjustment



Medium Drawer with Single Railing for Wood Drawer Back

Kit Package White (E01) Silver Grey (E18) Stainless Steel (F04)			Slides left/right Pre-zinc Steel (F02)			Drawer Sides and Cover Caps left/right White (E01) Silver Grey (E18) Stainless Steel (F04)		
---	--	--	--	--	--	--	--	--

Nominal Length NL	Item No.	Set/ctn
270 mm	B02270B	1
300 mm	B02300B	1
350 mm	B02350B	1
400 mm	B02400B	1
450 mm	B02450B	1
500 mm	B02500B	1
550 mm	B02550B	1
600 mm	B02600B	1
650 mm	B02650B	1

Industrial Package	Item No.	Set/ctn
	B02270H	5
	B02300H	5
	B02350H	5
	B02400H	5
	B02450H	5
	B02500H	5
	B02550H	5
	B02600H	5
	B02650H	5

Industrial Package	Item No.	Set/ctn
	B02270	5
	B02300	5
	B02350	5
	B02400	5
	B02450	5
	B02500	5
	B02550	5
	B02600	5
	B02650	5

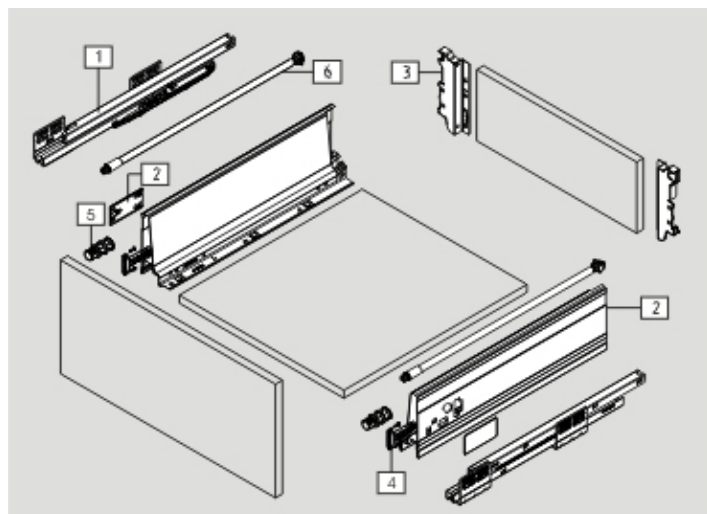
Round Side Rails left/right White (E01) Silver Grey (E18) Chrome Plated (C01)		
---	--	--

Nominal Length NL	Item No.	Set/ctn
270 mm	M01041270	60
300 mm	M01041300	60
350 mm	M01041350	60
400 mm	M01041400	60
450 mm	M01041450	60
500 mm	M01041500	60
550 mm	M01041550	60
600 mm	M01041600	60
650 mm	M01041650	60

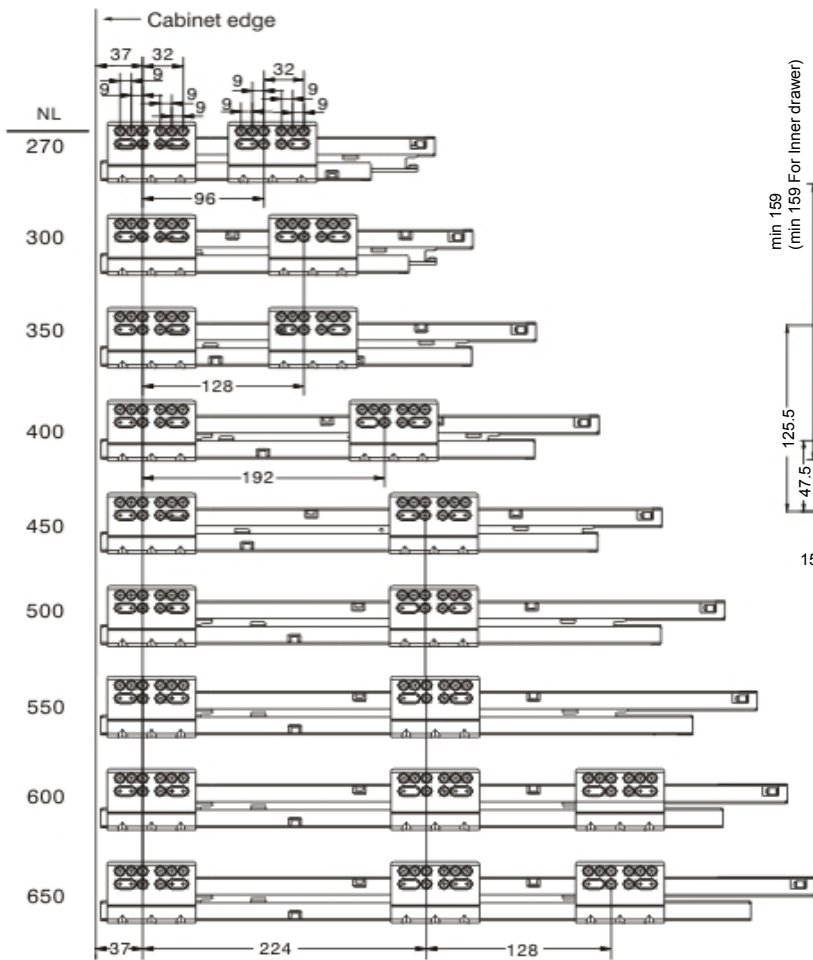
Back Fixing-brackets left/right				Industrial Package
White (E01)	Silver Grey (E18)	Chrome Plated (C01)	set/ctn	
	Item No.	B02032	40	

Front Fixing-brackets				Industrial Package
Zinc Plated (B01)	Nickel Plated (A02)		set/ctn	
Ezy fix	Item No.	M01019	120	
Press-in	Item No.	M01016	120	

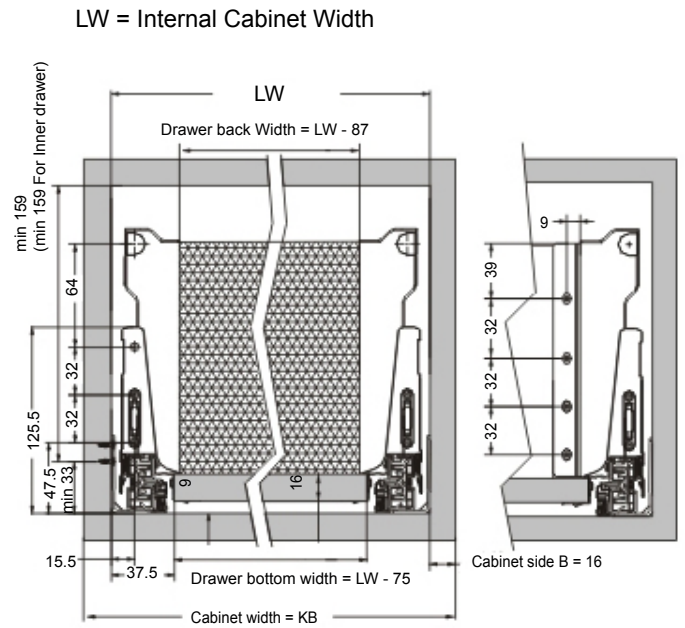
Dowel			Industrial Package
Grey (H11)		pcs/ctn	
	Item No.	M02014	120



Screw Positions of the Slides

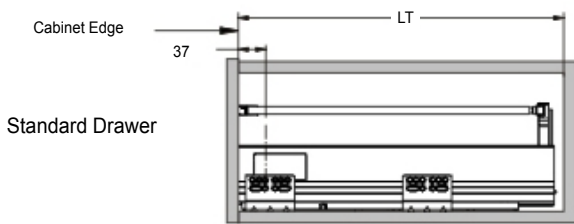


Installation Dimensions



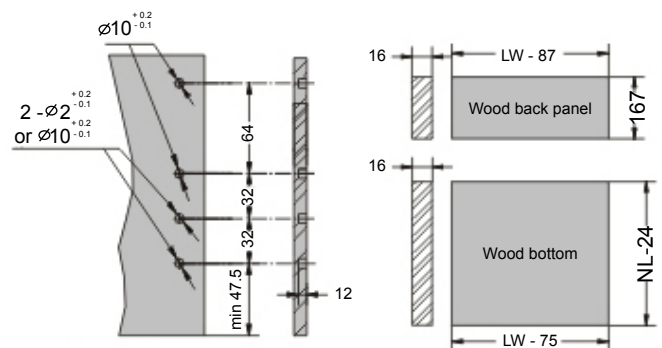
Installation Dimensions

NL = Nominal Slide Length LT = Internal Cabinet Depth $LT = NL + 3$



Drawer Back, Drawer Bottom Dimensions

Drawer Front Dimensions



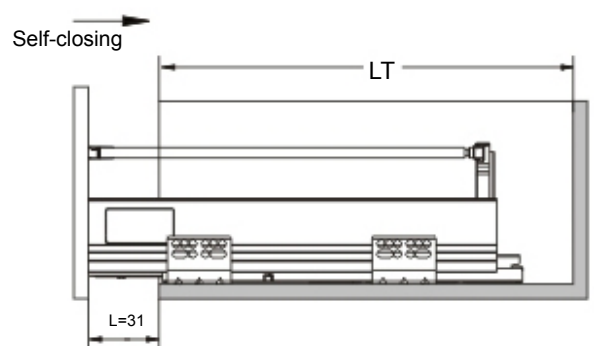
Front Panel Drilling

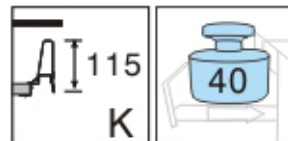
Cabinet Configuration

Cabinet widths	KB (mm)
	400
	450
	500
	600
	800
	900
	1000
	1200

For Cabinet widths (KB) 900mm-1200mm, Stabilizer is needed.

Self-Closing Distance








B02 115mm Medium Inner Drawer

- Concealed, full extension
- Dynamic load capacity: 40kg
Finish: White (E01), Silver Grey (E18)
Stainless Steel (F04)
- Easy installation and removal of drawer
- Silent and smooth running
- Four way drawer front adjustment




Medium Inner Drawer with Single Railing for Wood Drawer Back

	Kit Package		Slides left/right		Drawer Sides and Cover Caps left/right
White (E01) Silver Grey (E18) Stainless Steel (F04)		Pre-zinc Steel (F02)		White (E01) Silver Grey (E18) Stainless Steel (F04)	


Nominal Length NL	Item No.	Set/ctn
270 mm	B02270R	1
300 mm	B02300R	1
350 mm	B02350R	1
400 mm	B02400R	1
450 mm	B02450R	1
500 mm	B02500R	1
550 mm	B02550R	1
600 mm	B02600R	1
650 mm	B02650R	1


Industrial Package	Item No.	Set/ctn
	B02270H	5
	B02300H	5
	B02350H	5
	B02400H	5
	B02450H	5
	B02500H	5
	B02550H	5
	B02600H	5
	B02650H	5


Industrial Package	Item No.	Set/ctn
	B02270	5
	B02300	5
	B02350	5
	B02400	5
	B02450	5
	B02500	5
	B02550	5
	B02600	5
	B02650	5


	Round Side Rails left/right
White (E01) Silver Grey (E18) Chrome Plated (C01)	

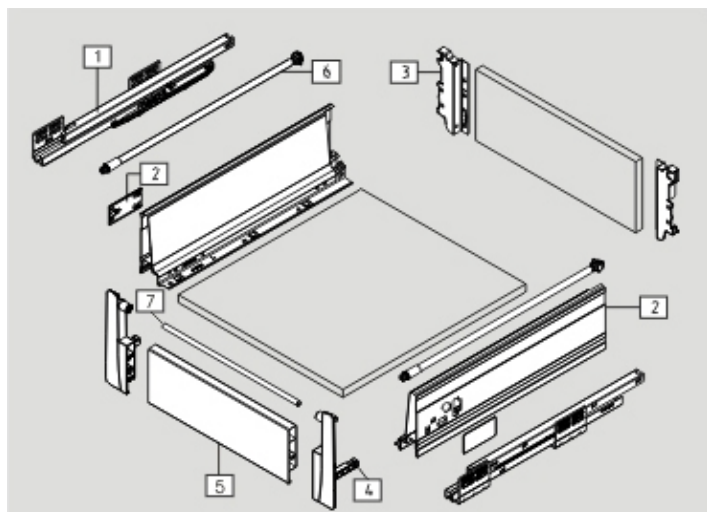
Nominal Length NL	Item No.	Set/ctn
270 mm	M01041270	60
300 mm	M01041300	60
350 mm	M01041350	60
400 mm	M01041400	60
450 mm	M01041450	60
500 mm	M01041500	60
550 mm	M01041550	60
600 mm	M01041600	60
650 mm	M01041650	60

	Back Fixing-brackets left/right	Industrial Package
White (E01) Silver Grey (E18) Chrome Plated(C01)		set/ctn
	Item No.	B02032 40

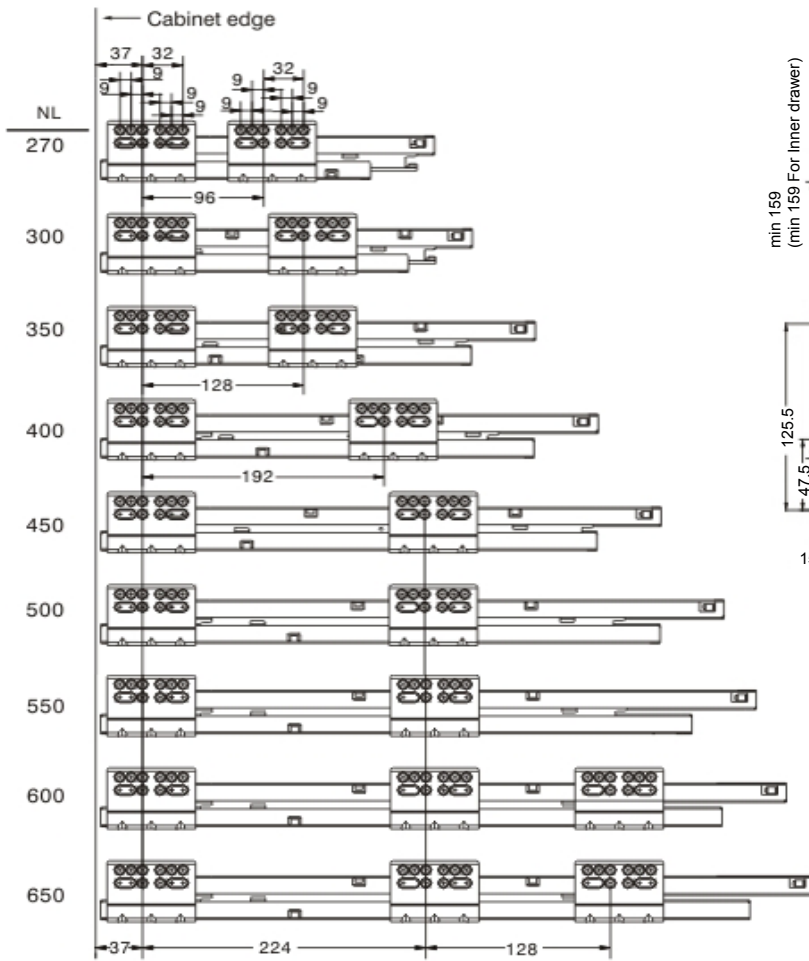
	Front Fixing-brackets left/right	Industrial Package
Grey (H11)		set/ctn
	Item No.	M02011 40

	Front Section (Not included in the kit)	
White (E01) Silver Grey (E18)		pcs/ctn
For cutting to size, 1100mm. Cutting: Internal Cabinet Width LW-97		
	Item No.	M01021 20

	Cross Rail (Not included in the kit)	Industrial Package
White (E01) Silver Grey (E18)		pcs/ctn
For cutting to size, 1100mm. Cutting: Internal Cabinet Width LW-74		
	Item No.	M01043 120

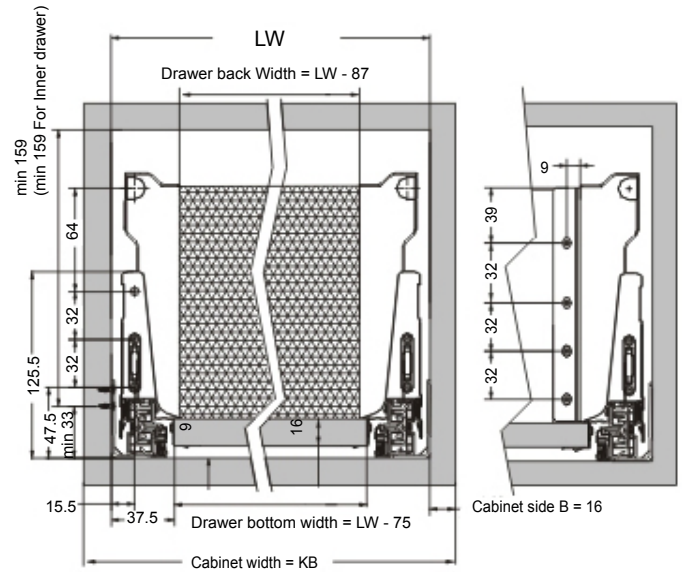


Screw Positions of the Slides



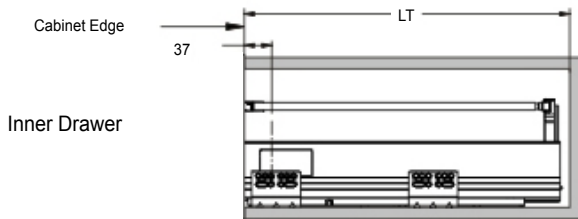
Installation Dimensions

LW = Internal Cabinet Width

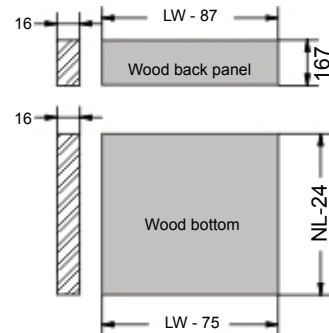


Installation Dimensions

NL = Nominal Slide Length LT = Internal Cabinet Depth $LT = NL + 3$



Drawer Back, Drawer Bottom Dimensions

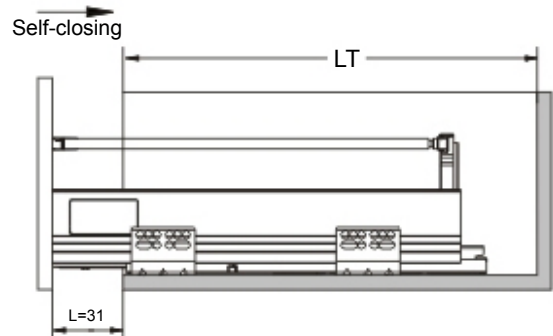


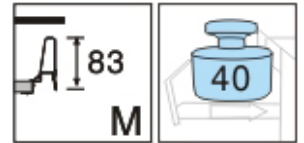
Cabinet Configuration

KB (mm)
400
450
500
600
800
900
1000
1200

For Cabinet widths(KB) 900mm-1200mm, Stabilizer is needed.

Self-Closing Distance





B31 83mm Push-open Lower Drawer

- Concealed, full extension
- Dynamic load capacity: 40kg
Finish: White (E01), Silver Grey (E18)
Stainless Steel (F04)
- Easy installation and removal of drawer
- Silent and smooth running
- Four way drawer front adjustment

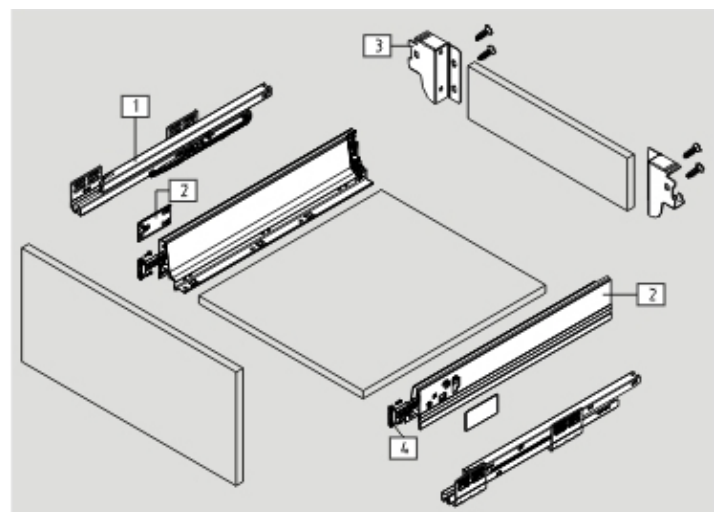


Push-open Lower Drawer

Kit Package				1 Slides left/right				2 Drawer Sides and Cover Caps left/right			
White (E01)	Silver Grey (E18)	Stainless Steel (F04)		Pre-zinc Steel (F02)				White (E01)	Silver Grey (E18)	Stainless Steel (F04)	
Nominal Length NL	Item No.	Set/ctn	Industrial Package	Item No.	Set/ctn	Industrial Package	Item No.	Set/ctn	Industrial Package	Item No.	Set/ctn
270 mm	B31270A	1		B31270H	5		B01270	5			
300 mm	B31300A	1		B31300H	5		B01300	5			
350 mm	B31350A	1		B31350H	5		B01350	5			
400 mm	B31400A	1		B31400H	5		B01400	5			
450 mm	B31450A	1		B31450H	5		B01450	5			
500 mm	B31500A	1		B31500H	5		B01500	5			
550 mm	B31550A	1		B31550H	5		B01550	5			
600 mm	B31600A	1		B31600H	5		B01600	5			
650 mm	B31650A	1		B31650H	5		B01650	5			

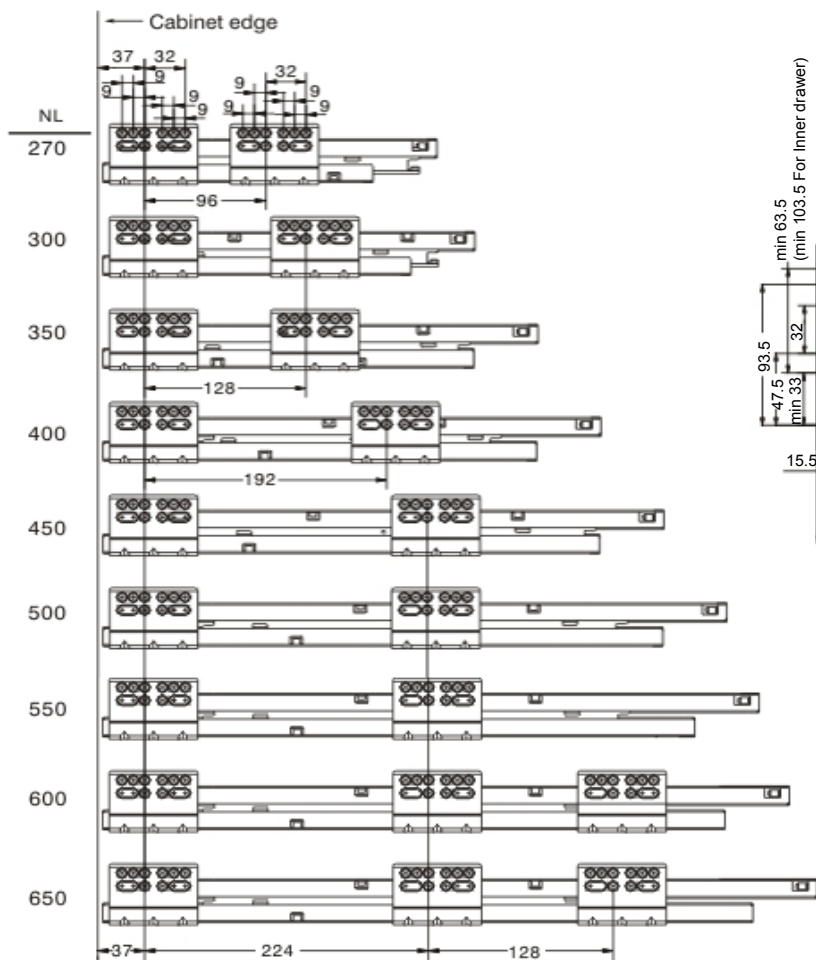
3 Back Fixing-brackets left/right				Industrial Package
White (E01)	Silver Grey (E18)	Chrome Plated (C01)	set/ctn	
	Item No.	B01031	60	

4 Front Fixing-brackets				Industrial Package
Zinc Plated (B01)	Nickel Plated (A02)		set/ctn	
Ezy fix	Item No.	M01019	120	
Press-in	Item No.	M01016	120	

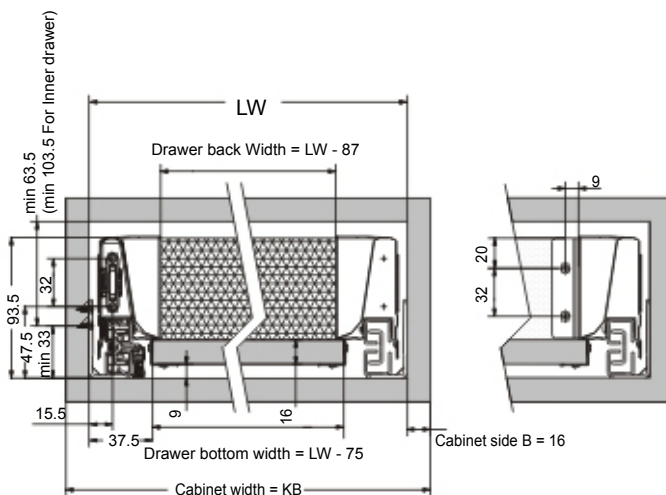


Screw Positions of the Slides

Installation Dimensions



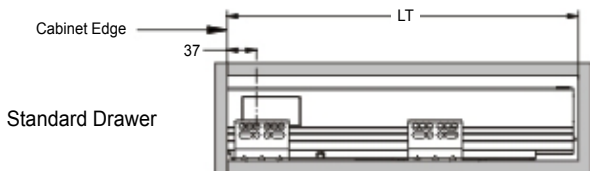
LW = Internal Cabinet Width



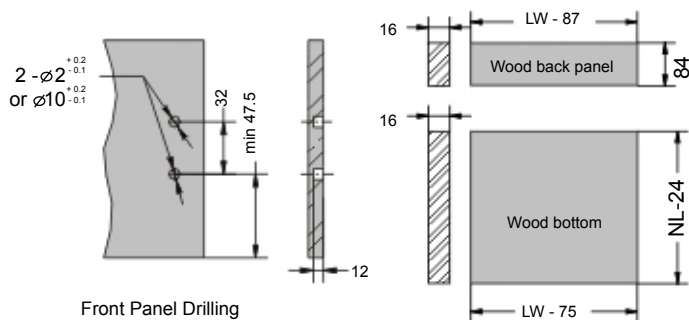
Installation Dimensions

Drawer Back, Drawer Bottom Dimensions

NL = Nominal Slide Length LT = Internal Cabinet Depth LT = NL + 3



Drawer Front Dimensions

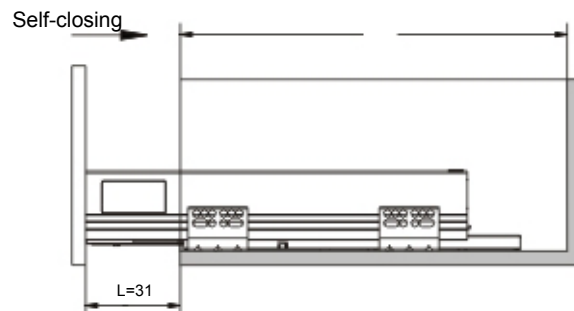


Cabinet Configuration

Self-Closing Distance

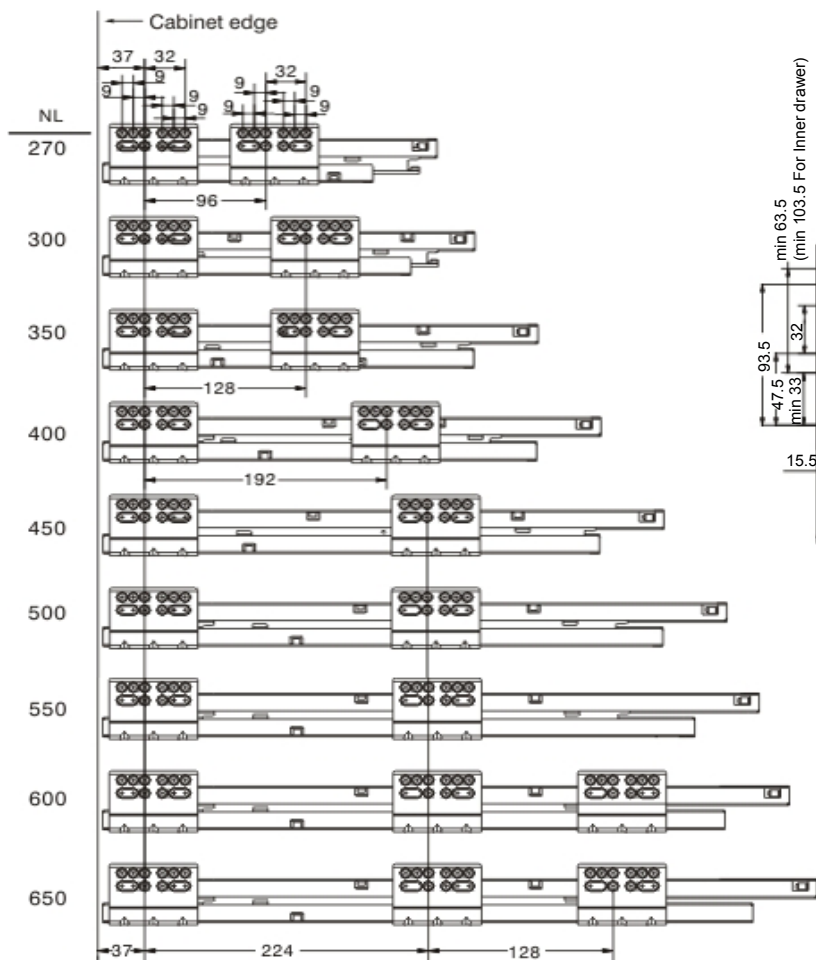
Cabinet widths	KB (mm)
	300
	350
	400
	450
	500
	600
	800
	900
	1000
	1200

For Cabinet widths(KB) 900mm-1200mm, Stabilizer is needed.

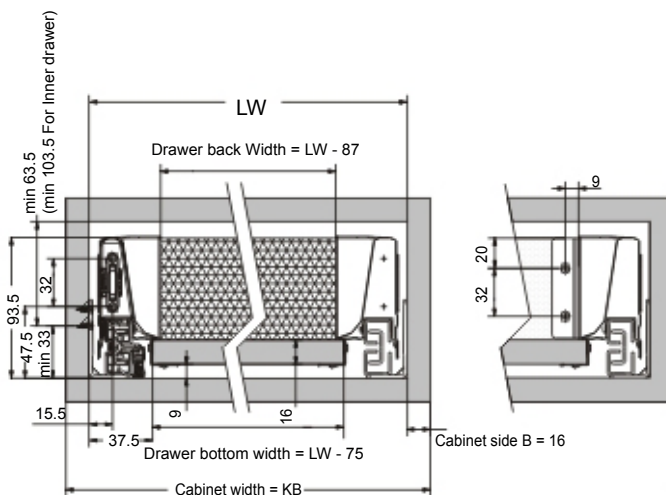


Screw Positions of the Slides

Installation Dimensions



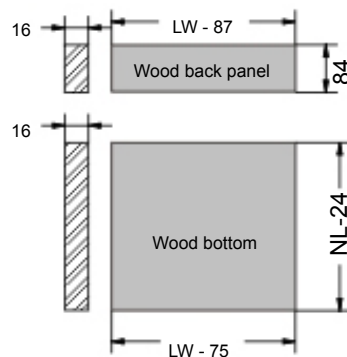
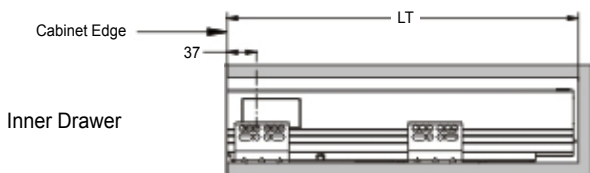
LW = Internal Cabinet Width



Installation Dimensions

Drawer Back, Drawer Bottom Dimensions

NL = Nominal Slide Length LT = Internal Cabinet Depth $LT = NL + 3$

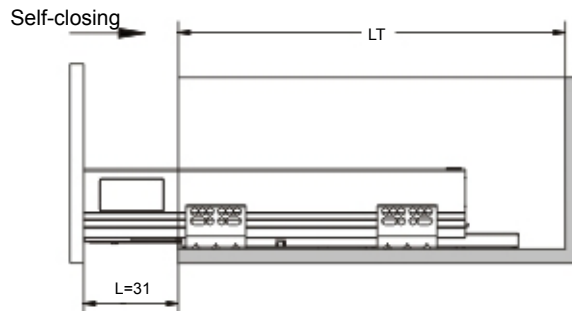


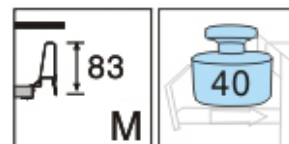
Cabinet Configuration

Self-Closing Distance

Cabinet widths	KB (mm)
	300
	350
	400
	450
	500
	600
	800
	900
	1000
	1200

For Cabinet widths(KB) 900mm-1200mm, Stabilizer is needed.





B31 83mm Push-open Medium Drawer

- Concealed, full extension
- Dynamic load capacity: 40kg
Finish: White (E01), Silver Grey (E18)
Stainless Steel (F04)
- Easy installation and removal of drawer
- Silent and smooth running
- Four way drawer front adjustment



Push-open Medium Drawer with Single Round Railing

Kit Package White (E01) Silver Grey (E18) Stainless Steel (F04)			Slides left/right Pre-zinc Steel (F02)			Drawer Sides and Cover Caps left/right White (E01) Silver Grey (E18) Stainless Steel (F04)		
---	--	--	--	--	--	--	--	--

Nominal Length NL	Item No.	Set/ctn
270 mm	B31270B	1
300 mm	B31300B	1
350 mm	B31350B	1
400 mm	B31400B	1
450 mm	B31450B	1
500 mm	B31500B	1
550 mm	B31550B	1
600 mm	B31600B	1
650 mm	B31650B	1

Industrial Package	Item No.	Set/ctn
	B31270H	5
	B31300H	5
	B31350H	5
	B31400H	5
	B31450H	5
	B31500H	5
	B31550H	5
	B31600H	5
	B31650H	5

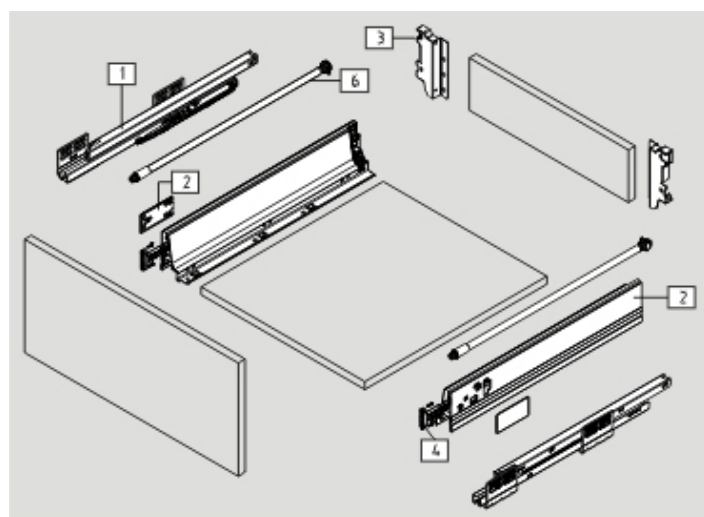
Industrial Package	Item No.	Set/ctn
	B01270	5
	B01300	5
	B01350	5
	B01400	5
	B01450	5
	B01500	5
	B01550	5
	B01600	5
	B01650	5

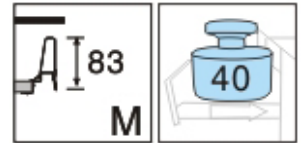
Round Side Rails left/right White (E01) Silver Grey (E18) Chrome Plated (C01)		
---	--	--

Nominal Length NL	Item No.	Set/ctn
270 mm	M01041270	60
300 mm	M01041300	60
350 mm	M01041350	60
400 mm	M01041400	60
450 mm	M01041450	60
500 mm	M01041500	60
550 mm	M01041550	60
600 mm	M01041600	60
650 mm	M01041650	60

Back Fixing-brackets left/right Industrial Package			
White (E01)	Silver Grey (E18)	Chrome Plated (C01)	set/ctn
	Item No.	B01032	40

Front Fixing-brackets Industrial Package			
Zinc Plated (B01)	Nickel Plated (A02)	set/ctn	
Ezy fix	Item No.	M01019	120
Press-in	Item No.	M01016	120





B31 83mm Push-open Medium Inner Drawer

- Concealed, full extension
- Dynamic load capacity: 40kg
Finish: White (E01), Silver Grey (E18)
Stainless Steel (F04)
- Easy installation and removal of drawer
- Silent and smooth running
- Four way drawer front adjustment



Push-open Medium Inner Drawer with Single Round Railing

Kit Package White (E01) Silver Grey (E18) Stainless Steel (F04)			1 Slides left/right Pre-zinc Steel (F02)			2 Drawer Sides and Cover Caps left/right White (E01) Silver Grey (E18) Stainless Steel (F04)		
---	--	--	--	--	--	--	--	--

Nominal Length NL	Item No.	Set/ctn
270 mm	B31270R	1
300 mm	B31300R	1
350 mm	B31350R	1
400 mm	B31400R	1
450 mm	B31450R	1
500 mm	B31500R	1
550 mm	B31550R	1
600 mm	B31600R	1
650 mm	B31650R	1

Industrial Package	Item No.	Set/ctn
	B31270H	5
	B31300H	5
	B31350H	5
	B31400H	5
	B31450H	5
	B31500H	5
	B31550H	5
	B31600H	5
	B31650H	5

Industrial Package	Item No.	Set/ctn
	B01270	5
	B01300	5
	B01350	5
	B01400	5
	B01450	5
	B01500	5
	B01550	5
	B01600	5
	B01650	5

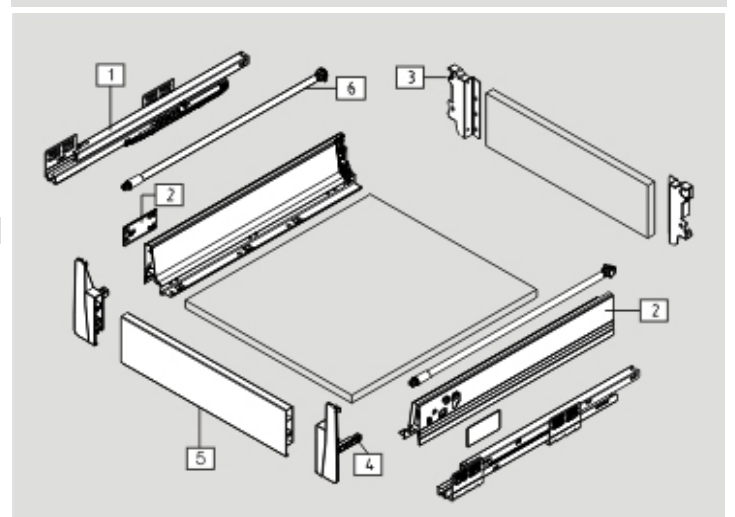
6 Round Side Rails left/right White (E01) Silver Grey (E18) Chrome Plated (C01)		
---	--	--

Nominal Length NL	Item No.	Industrial Package Set/ctn
270 mm	M01041270	60
300 mm	M01041300	60
350 mm	M01041350	60
400 mm	M01041400	60
450 mm	M01041450	60
500 mm	M01041500	60
550 mm	M01041550	60
600 mm	M01041600	60
650 mm	M01041650	60

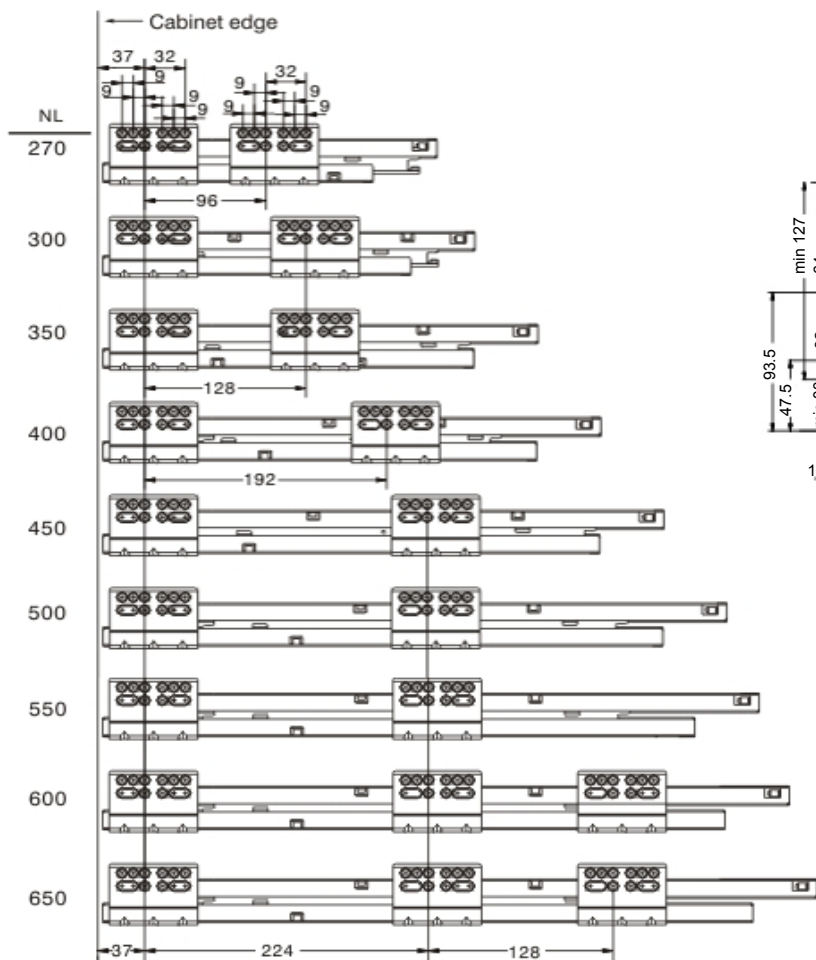
3 Back Fixing-brackets left/right				Industrial Package
White (E01)	Silver Grey (E18)	Chrome Plated (C01)	set/ctn	
	Item No.	B01032	40	

4 Front Fixing-brackets				Industrial Package
Grey (H11)			set/ctn	
	Item No.	M01013	40	

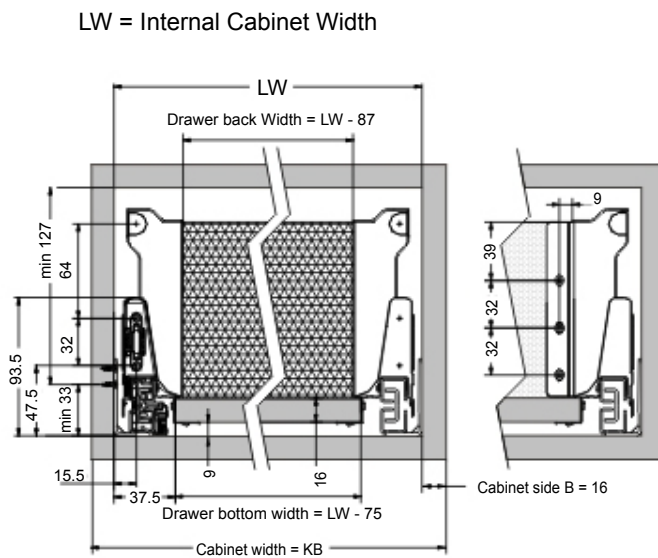
5 Front Section (Not included in the kit)				
White (E01)	Silver Grey (E18)		pcs/ctn	
For cutting to size, 1100mm. Cutting: Internal Cabinet Width LW-97				
	Item No.	M01021	20	



Screw Positions of the Slides

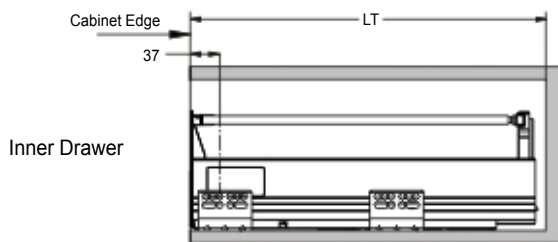


Installation Dimensions

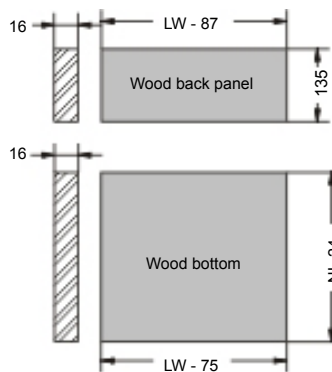


Installation Dimensions

NL = Nominal Slide Length LT = Internal Cabinet Depth $LT = NL + 3$



Drawer Back, Drawer Bottom Dimensions

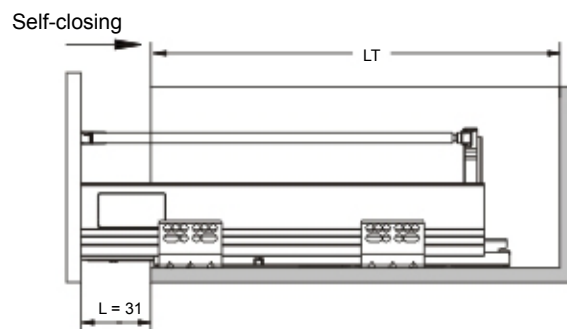


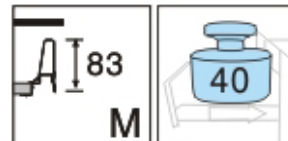
Cabinet Configuration

KB (mm)
300
350
400
450
500
600
800
900
1000
1200

For Cabinet widths (KB) 900mm-1200mm, Stabilizer is needed.

Self-Closing Distance





B31 83mm Push-open High Drawer

- Concealed, full extension
- Dynamic load capacity: 40kg
Finish: White (E01), Silver Grey (E18)
Stainless Steel (F04)
- Easy installation and removal of drawer
- Silent and smooth running
- Four way drawer front adjustment



Push-open High Drawer with Double Round Railing

Kit Package White (E01) Silver Grey (E18) Stainless Steel (F04)			Slides left/right Pre-zinc Steel (F02)			Drawer Sides and Cover Caps left/right White (E01) Silver Grey (E18) Stainless Steel (F04)		
---	--	--	--	--	--	--	--	--

Nominal Length NL	Item No.	Set/ctn
270 mm	B31270D	1
300 mm	B31300D	1
350 mm	B31350D	1
400 mm	B31400D	1
450 mm	B31450D	1
500 mm	B31500D	1
550 mm	B31550D	1
600 mm	B31600D	1
650 mm	B31650D	1

Industrial Package	Item No.	Set/ctn
	B31270H	5
	B31300H	5
	B31350H	5
	B31400H	5
	B31450H	5
	B31500H	5
	B31550H	5
	B31600H	5
	B31650H	5

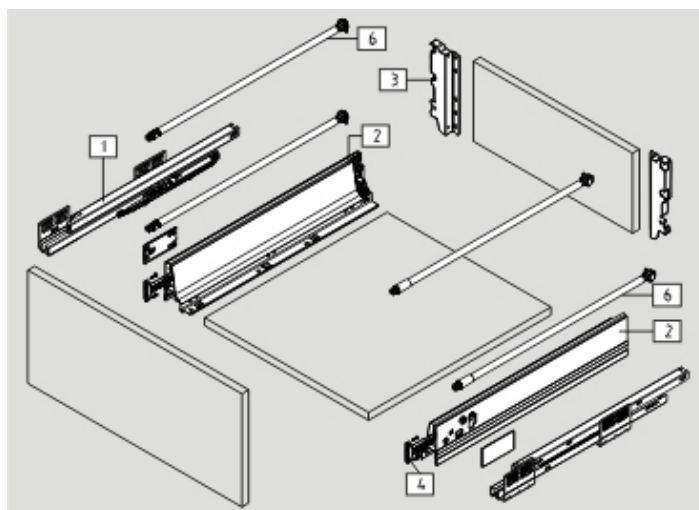
Industrial Package	Item No.	Set/ctn
	B01270	5
	B01300	5
	B01350	5
	B01400	5
	B01450	5
	B01500	5
	B01550	5
	B01600	5
	B01650	5

Round Side Rails left/right White (E01) Silver Grey (E18) Chrome Plated (C01)		
---	--	--

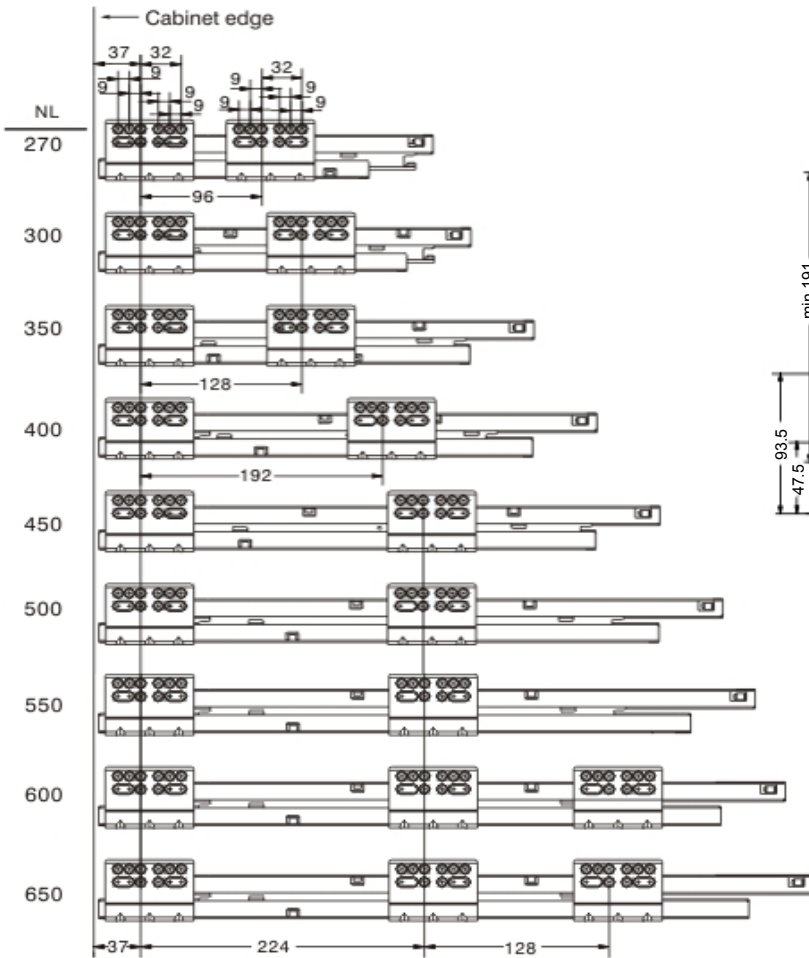
Nominal Length NL	Item No.	Set/ctn
270 mm	M01041270	60
300 mm	M01041300	60
350 mm	M01041350	60
400 mm	M01041400	60
450 mm	M01041450	60
500 mm	M01041500	60
550 mm	M01041550	60
600 mm	M01041600	60
650 mm	M01041650	60

Back Fixing-brackets left/right			Industrial Package
White (E01)	Silver Grey (E18)	Chrome Plated (C01)	set/ctn
	Item No.	B01033	20

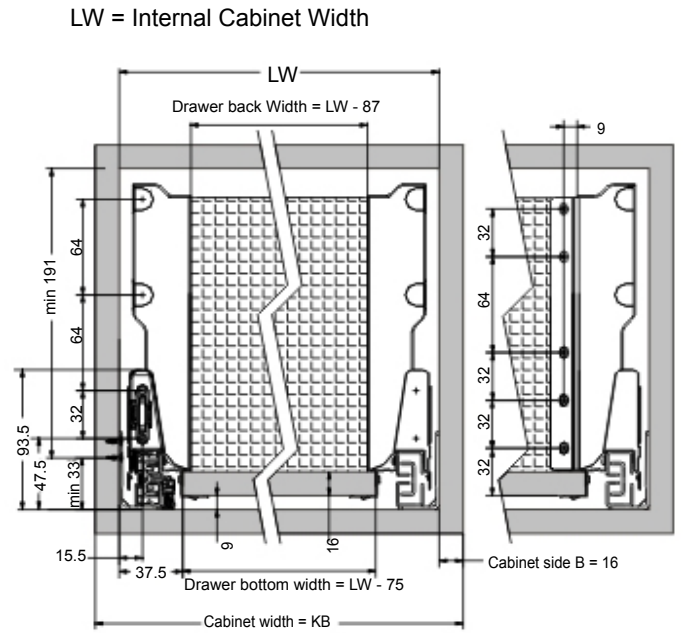
Front Fixing-brackets			Industrial Package
Zinc Plated (B01)	Nickel Plated (A02)		set/ctn
Ezy fix	Item No.	M01019	120
Press-in	Item No.	M01016	120



Screw Positions of the Slides

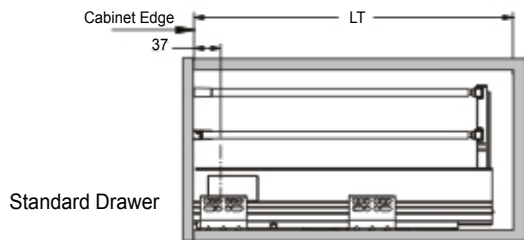


Installation Dimensions



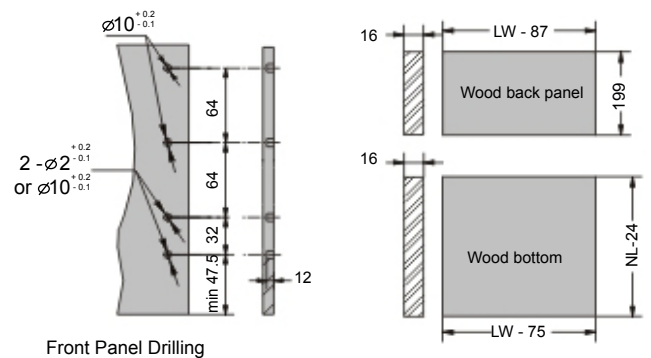
Installation Dimensions

NL = Nominal Slide Length LT = Internal Cabinet Depth $LT = NL + 3$



Drawer Back, Drawer Bottom Dimensions

Drawer Front Dimensions

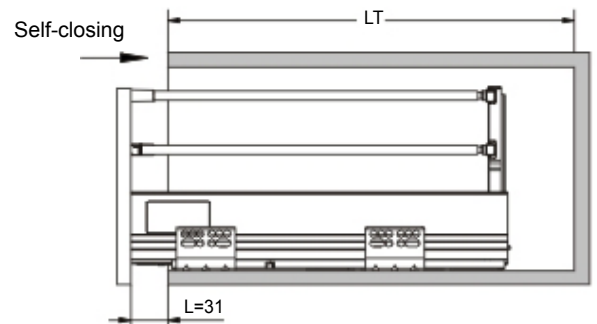


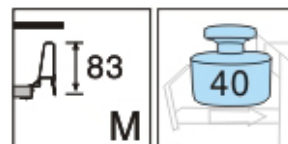
Cabinet Configuration

KB (mm)
300
350
400
450
500
600
800
900
1000
1200

For Cabinet widths (KB) 900mm-1200mm, Stabilizer is needed.

Self-Closing Distance





B31 83mm Push-open High Inner Drawer

- Concealed, full extension
- Dynamic load capacity: 40kg
Finish: White (E01), Silver Grey (E18)
Stainless Steel (F04)
- Easy installation and removal of drawer
- Silent and smooth running
- Four way drawer front adjustment



Push-open High Inner Drawer with Double Round Railing

Kit Package White (E01) Silver Grey (E18) Stainless Steel (F04)			1 Slides left/right Pre-zinc Steel (F02)			2 Drawer Sides and Cover Caps left/right White (E01) Silver Grey (E18) Stainless Steel (F04)		
---	--	--	--	--	--	--	--	--

Nominal Length NL	Item No.	Set/ctn
270 mm	B31270T	1
300 mm	B31300T	1
350 mm	B31350T	1
400 mm	B31400T	1
450 mm	B31450T	1
500 mm	B31500T	1
550 mm	B31550T	1
600 mm	B31600T	1
650 mm	B31650T	1

Industrial Package	Item No.	Set/ctn
	B31270H	5
	B31300H	5
	B31350H	5
	B31400H	5
	B31450H	5
	B31500H	5
	B31550H	5
	B31600H	5
	B31650H	5

Industrial Package	Item No.	Set/ctn
	B01270	5
	B01300	5
	B01350	5
	B01400	5
	B01450	5
	B01500	5
	B01550	5
	B01600	5
	B01650	5

6 Round Side Rails left/right White (E01) Silver Grey (E18) Chrome Plated (C01)		
---	--	--

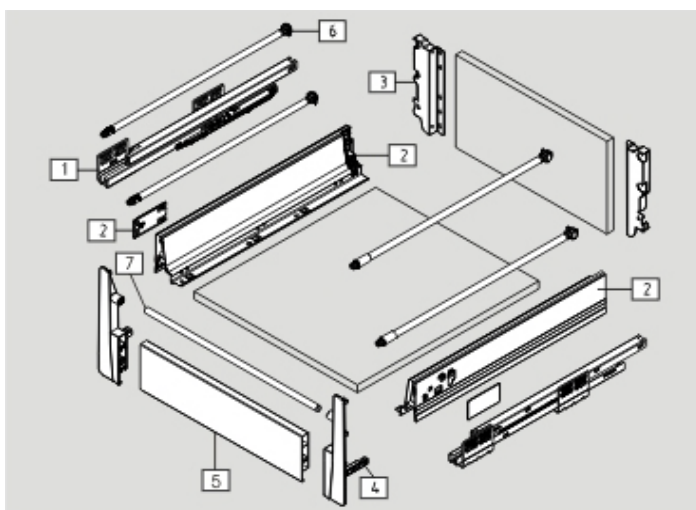
Nominal Length NL	Item No.	Set/ctn
270 mm	M01041270	60
300 mm	M01041300	60
350 mm	M01041350	60
400 mm	M01041400	60
450 mm	M01041450	60
500 mm	M01041500	60
550 mm	M01041550	60
600 mm	M01041600	60
650 mm	M01041650	60

3 Back Fixing-brackets left/right Industrial Package			
White (E01)	Silver Grey (E18)	Chrome Plated (C01)	set/ctn
	Item No.	B01033	20

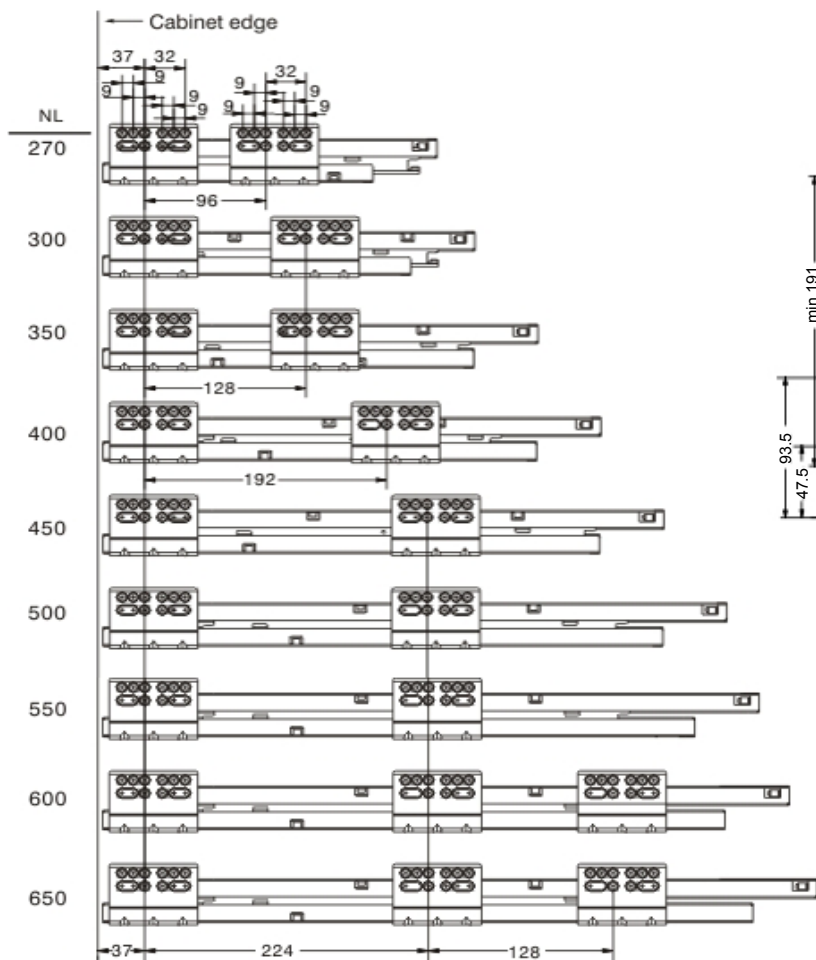
4 Front Fixing-brackets Industrial Package			
Grey (H11)			set/ctn
	Item No.	M01014	20

5 Front Section (Not included in the kit) Industrial Package			
White (E01)	Silver Grey (E18)		pcs/ctn
For cutting to size, 1100mm. Cutting: Internal Cabinet Width LW-97			
	Item No.	M01021	20

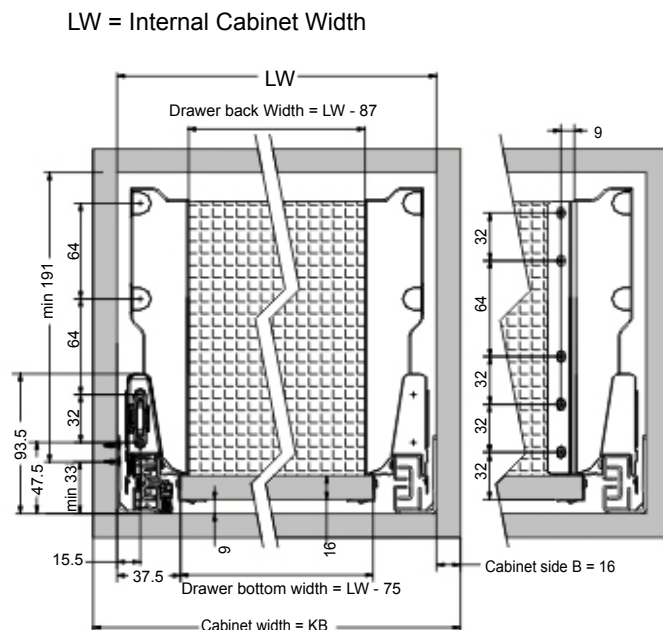
7 Cross Rail (Not included in the kit) Industrial Package			
White (E01)	Silver Grey (E18)		pcs/ctn
For cutting to size, 1100mm. Cutting: Internal Cabinet Width LW-74			
	Item No.	M01043	120



Screw Positions of the Slides

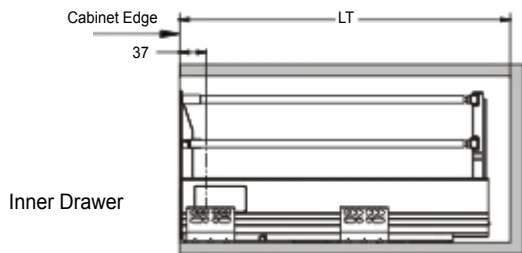


Installation Dimensions

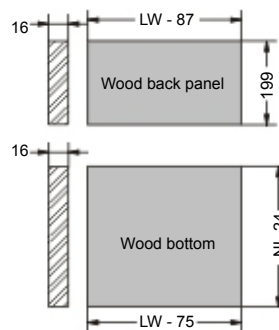


Installation Dimensions

NL = Nominal Slide Length LT = Internal Cabinet Depth $LT = NL + 3$



Drawer Back, Drawer Bottom Dimensions



Cabinet Configuration

Cabinet widths	KB (mm)
	300
	350
	400
	450
	500
	600
	800
	900
	1000
	1200

For Cabinet widths (KB) 900mm-1200mm, Stabilizer is needed.

Self-Closing Distance

