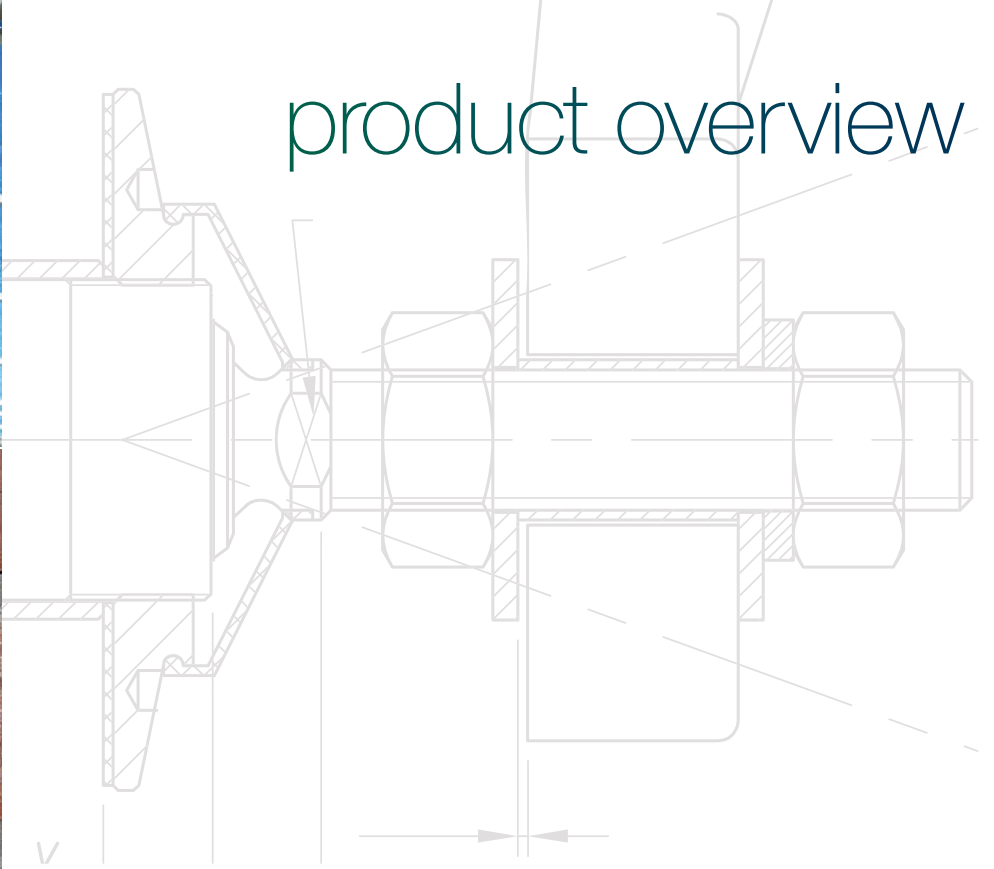


product overview



- design • manufacture • distribute

NFK

AUSTRALIAN
& EUROPEAN
SPECIALTY HARDWARE
FOR GLASS



SPIDER FITTINGS



NFK offer a wide range of conventional **spiders** ranging from miniature 60mm arm length for balustrade connections to custom designed 1000mm and greater for large glass requirements. The world famous products from Sadev and our own proprietary range offer a diverse selection to meet your requirements.

As above, **fin spiders** from both Sadev and NFK⁴⁶ are available in a wide range of sizes and styles to meet the design and engineering criteria of your next project.



POINT FIXINGS

As the critical component in any point fixed façade, NFK highly recommend the use of Sadev's world leading **point fixings**. Extensively tested, time proven and perfectly engineered, there is simply no better solution.



SADEV DECOR PRODUCTS

NFK exclusively offer the Sadev Décor range of **pivoting door systems**. Design possibilities are endless due to the wide range of hardware options available. Doors up to 160kg are possible with Sadev's new 40mm full height pivot rod. All Sadev Décor products are designed with the installer in mind - ease of installation and adjustment of hardware are paramount for Sadev.



Many manufacturers can produce a sliding door that looks like Sadev Décor product, but few can offer the same mechanical quality. Extremely strong, resistance free, quietly rolling, highly adjustable, are a few ways to describe the **Décor sliding range**. As with the Décor Pivot, a massive selection of components makes almost any application possible.



Sadev glass awning systems have been engineered to meet strict German standards. Combining Sadev spider fittings and point fixings with their high quality tension rods and wall brackets gives an outstanding end result, offering the safety and piece of mind that only high quality components can deliver.

BILOBA INTERIOR



Hydraulic, self closing and speed adjustable, this new range of side mounted frameless glass door hinges are capable of swinging doors up to 100kg. Italian designed and manufactured and successfully tested beyond 1million cycles, there is no question of the quality. The **Biloba hinge** is available in wall to glass or glass to glass configurations, both Hold Open or Non-Hold Open actions and a number of surface finishes.

Consider Biloba for your next frameless glass office or home interior door.



TRILOBA INTERIOR



A unique alternative to the conventional in-ground Hydraulic Door Closer, **Triloba** is surface mounted and incorporates the hydraulic closer within the patch fitting. A range of additional components make fully frameless glass entrances possible with glass up to 120kg and 1200mm wide.

POOL HARDWARE

With all the benefits mentioned in Biloba Interior, these **hinges with a Non-Hold Open action** are the perfect solution for swimming pool gates. No more rusting floor closers or black plastic hinges on your beautiful glass pool fence!

NFK locally manufacture a range of **specialty locks for glass swimming pool gates**. Please contact us to learn more about the options available.



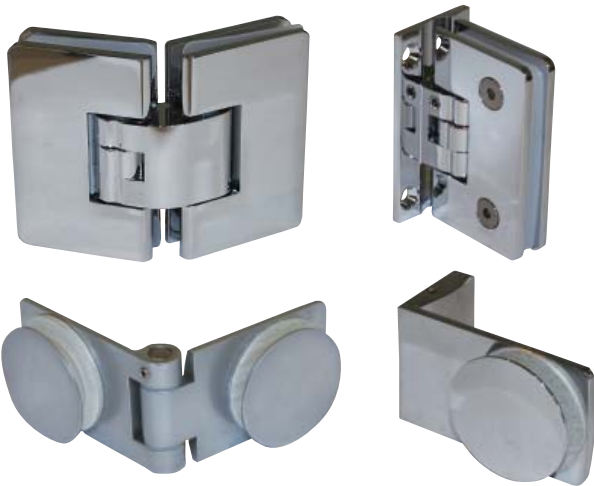
NFK offer a number of different **frameless glass spigots** or **mini posts**. With our Australian manufacturing ability, we can design, test and manufacture a product unique to your needs. Advice should always be sought on the suitability of spigots for your glass applications. NFK is proactive in correct product selection, based on both glass and hardware engineering, and the synergy between the two -something many suppliers either are not aware of or choose to ignore.

SLIDE 01

The classic design of **Slide 01** with its profiled cover, Italian made quality components and ease of installation make this product well worth consideration. Additional models in the Slide range will be coming soon.



SHOWER HARDWARE



NFK stock a wide selection of **shower hinges and brackets** - premium quality Italian manufactured hinges with adjustable closing angles and perfectly finished heavy chrome plating.

An economy range is also available in chrome plated brass or 316 stainless steel for project work where budget constraints don't allow for the premium Italian quality.

STAND OFFS

Due to our Australian manufacturing ability we can offer unlimited custom designed sizes and shapes of **stand offs** ranging from 15mm to 200mm diameter. Orders of more than 50 pieces can be economically designed, tested and produced within days of the initial enquiry. In addition to our custom production, we stock an extensive range of stand-off components comprising hundreds of individual items.

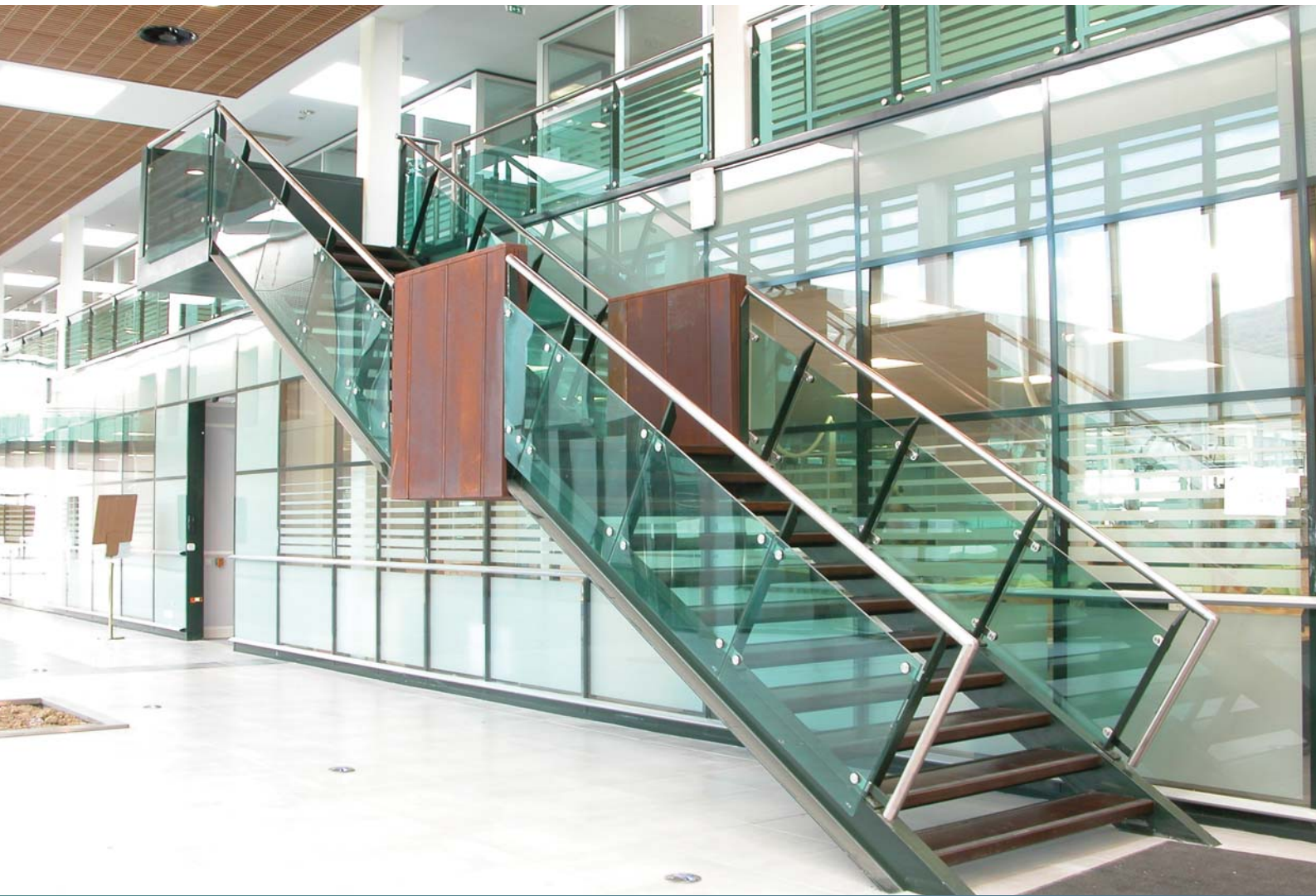


BALUSTRADE SYSTEMS

Our constantly evolving selection of **balustrade hardware** combines fittings designed and manufactured by NFK with proprietary fittings from our most reliable partners worldwide. These ranges are able to be married together to suit specific needs and design requirements.

Further to this, NFK is the Australian importer and distributor of Q-railing Balustrade Systems from Germany. Their unique market leading products such as Easyglass and Quickrail are examples of their commitment to continued development of new and innovative balustrading solutions.





NFK GLAZING & INDUSTRIAL SUPPLIES P/L

28 Devlan Street, Mansfield Qld 4122 Australia

PO Box 2091, Mansfield BC Qld 4122 Australia

Phone: (07) 3343 3377

Fax: (07) 3343 6877

Toll Free: 1800 064 596

Email: sales@nfk.com.au

www.nfk.com.au

