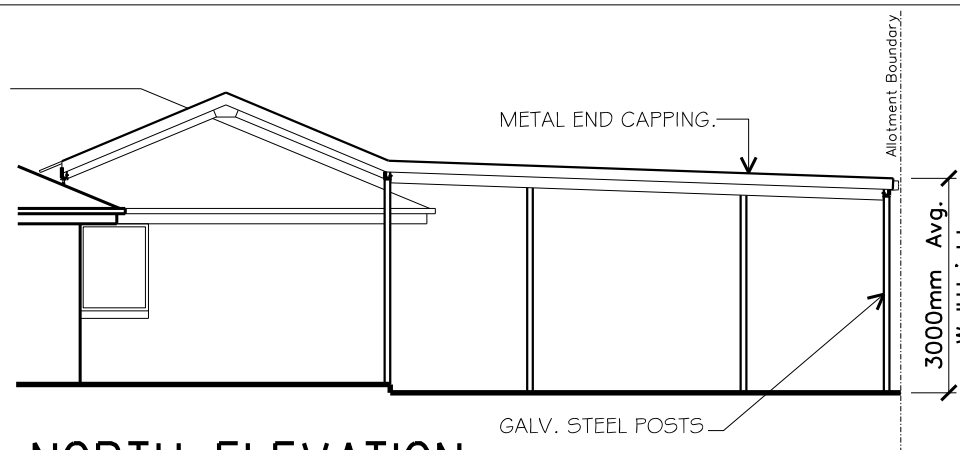


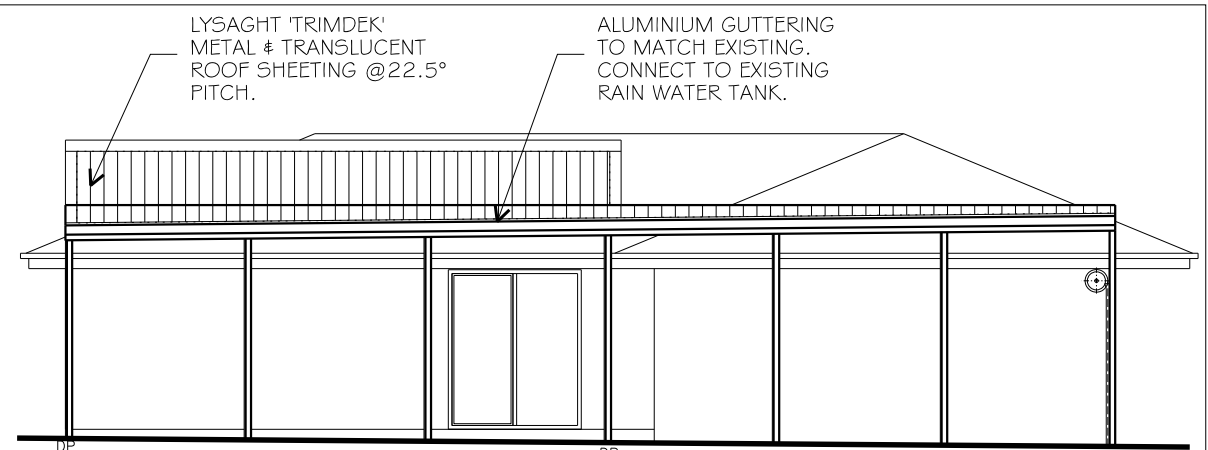
SOUTH ELEVATION

Scale 1:100



NORTH ELEVATION

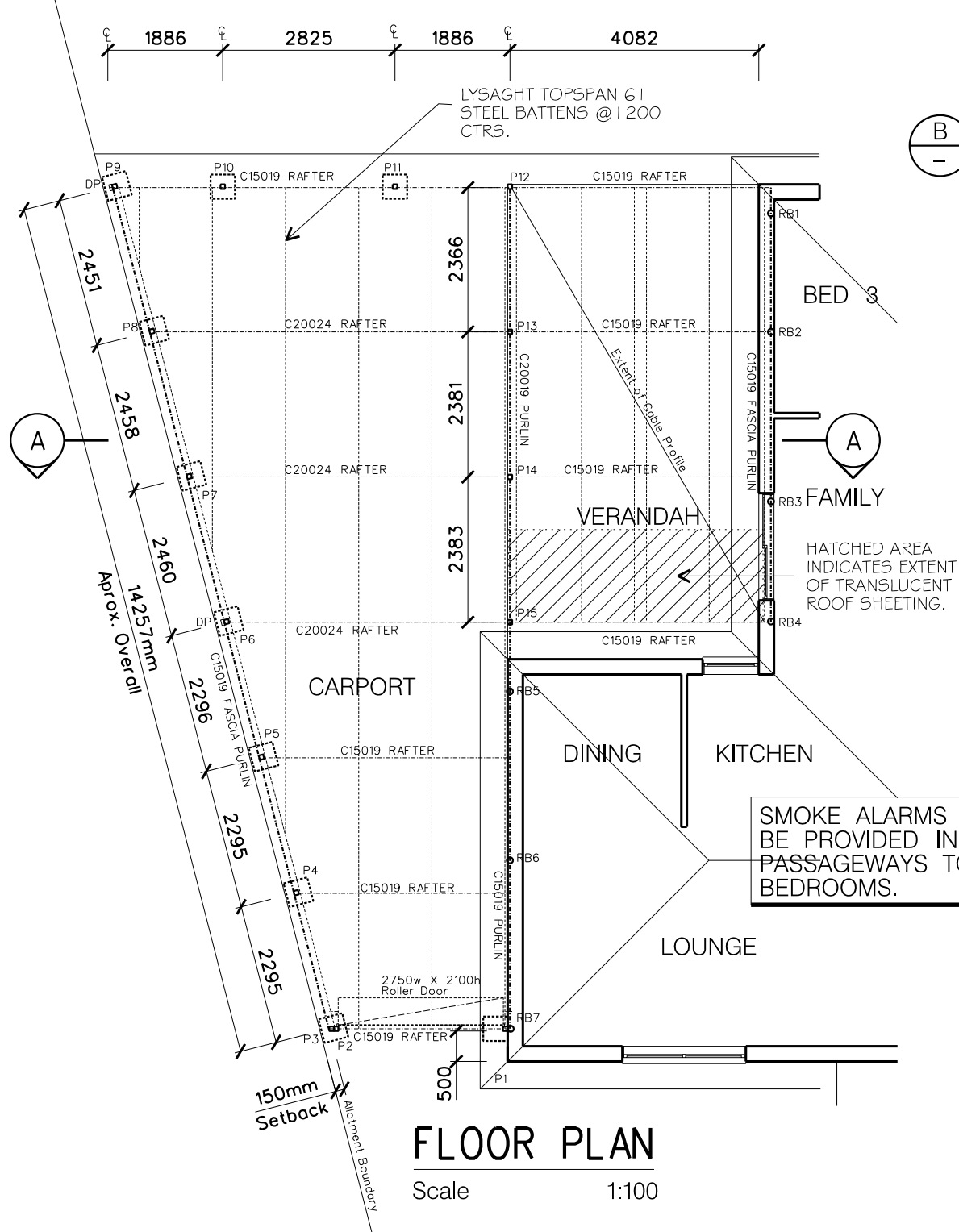
Scale 1:100



EAST ELEVATION

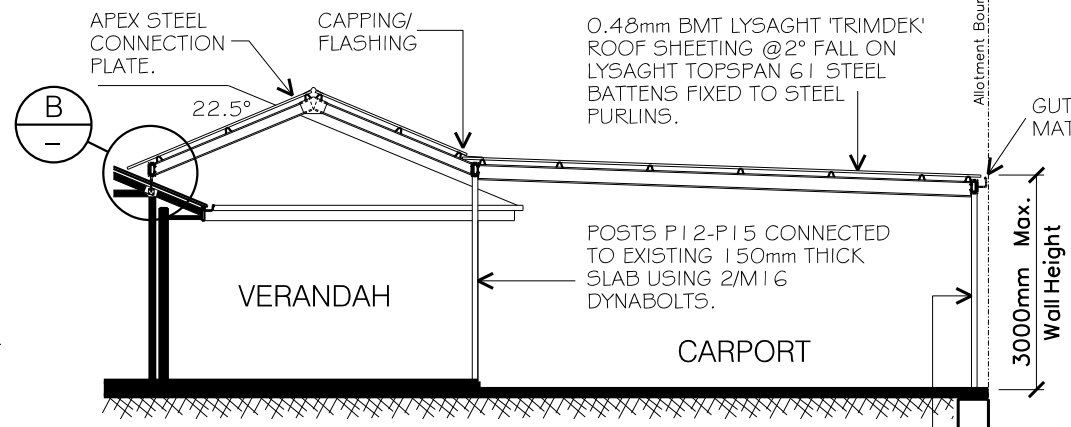
Scale 1:100

AREA ANALYSIS		
SITE	560m ²	
EX. BUILDING	126.26m ²	(13.58 Squares)
CARPORT/VER.	97.48m ²	(10.48 Squares)
TOTAL	223.74m ²	(24.07 Squares)
SITE COVERAGE	39.95 %	



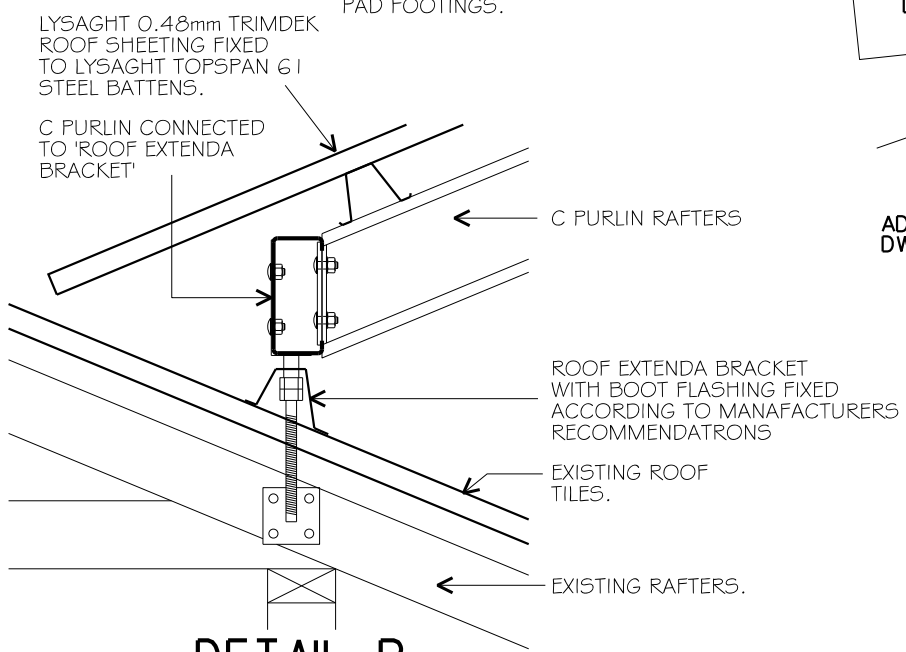
FLOOR PLAN

Scale 1:100



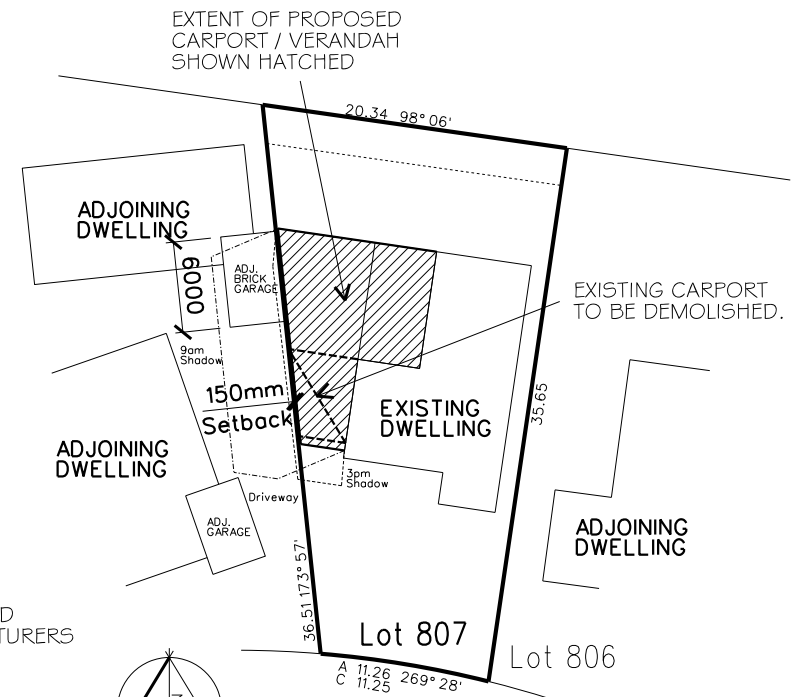
SECTION A-A

Scale 1:100



DETAIL B

Scale 1:10



UNICORN WAY SITE PLAN

Scale 1:500

Title WORKING DRAWINGS			
Date 06 / 04 / 09	Drawn T. T	Project No. 101-08	Orientation
Scale @ A3 1:100 1:500	Rev.	Sheet 1 of 1	

Project: PROPOSED CARPORT & VERANDAH
AT:
FOR:

Archi PLAN
 DESIGN GROUP
 SYDENHAM 3037
 MOBILE: 0418 137 331
 Reg. No. DP-AD

THESE DRAWINGS ARE COPYRIGHT AND SHALL NOT BE COPIED, OR OTHERWISE REPRODUCED WITHOUT THE WRITTEN CONSENT OF ARCHIPLAN DESIGN GROUP © 2008