

Advantage Indoor Solutions

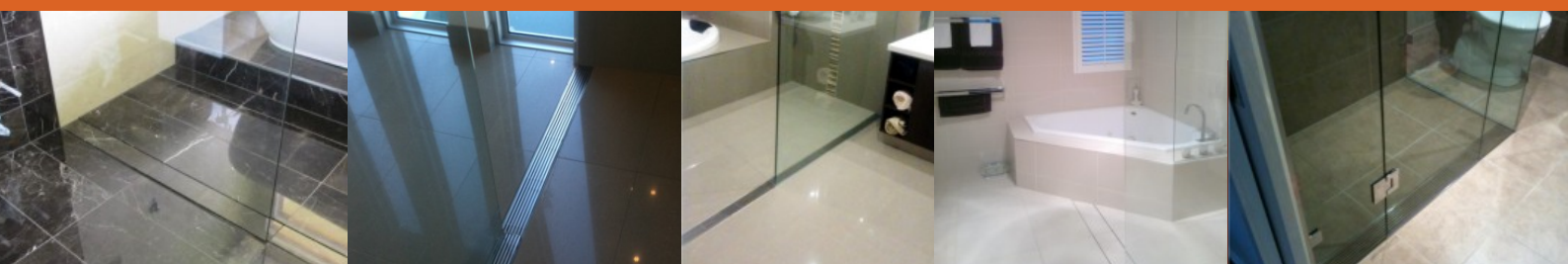
beautifully designed lineal drainage



Creative Drain Solutions™



indulge yourself....



Quality Architectural Drainage Solutions

Advantage

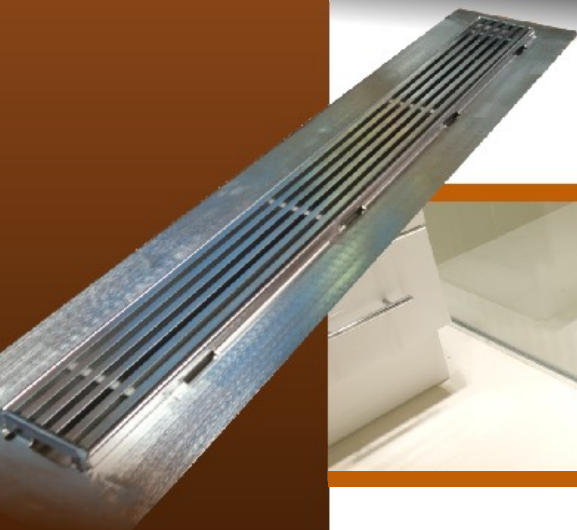
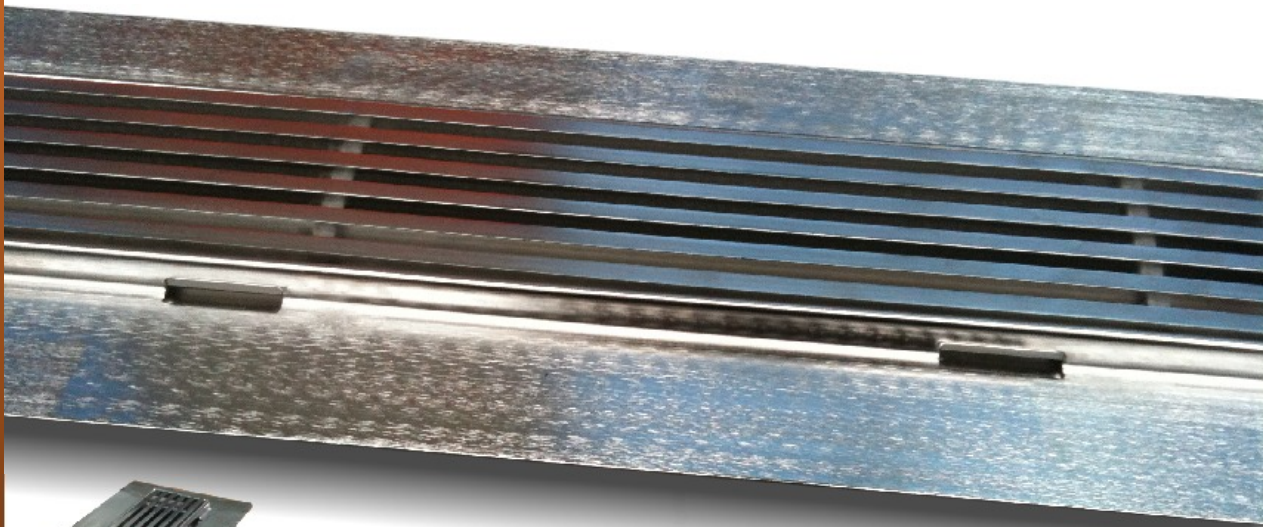


Creative Drain Solutions™

beautifully designed lineal drainage

The Advantage is designed to impress with its clean slim lines and minimalistic impact allowing only the grate to be visible, providing an efficient and discreet drainage system. The Advantage is a beautiful and stylish drain that will compliment the decor of any bathroom.

Large
Waterproofing
Flanges , Built
in Fall to Left
or Right or non
standard
waste location
in a Flat Tray



advantage
Absolute

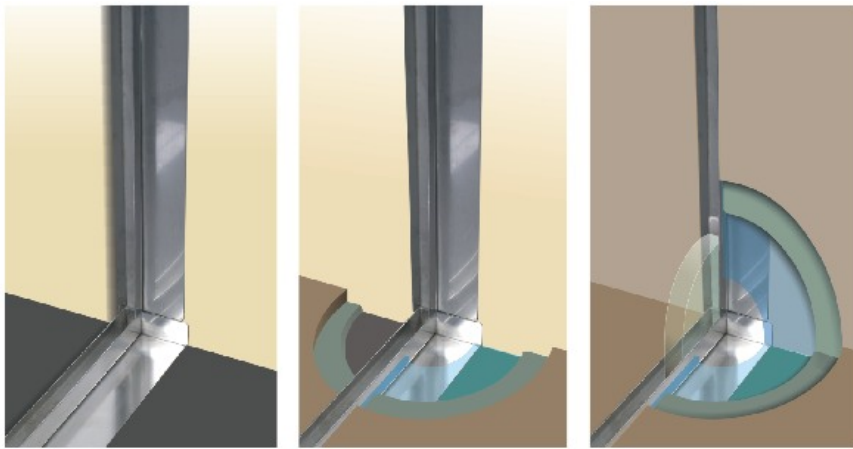


Creative Drain Solutions™



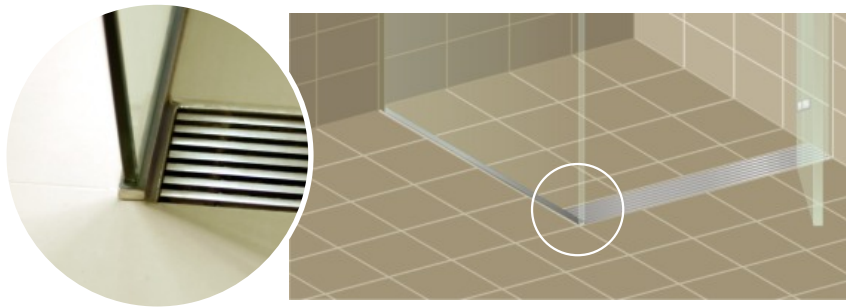
The Absolute has been designed to solve the problem of having to reduce the size of your poststruts, cut your floor down to create a fall to your drain.

The Absolute was designed to Eliminate all the hard work normally associated with installing a Lineal Drain. Easy to follow Installation Instructions.



F Channel

The Absolute solution features a design with an "F" channel to incorporate a glass screen. The Absolute is the All-in-one answer to allow a shower to be installed on a level floor.



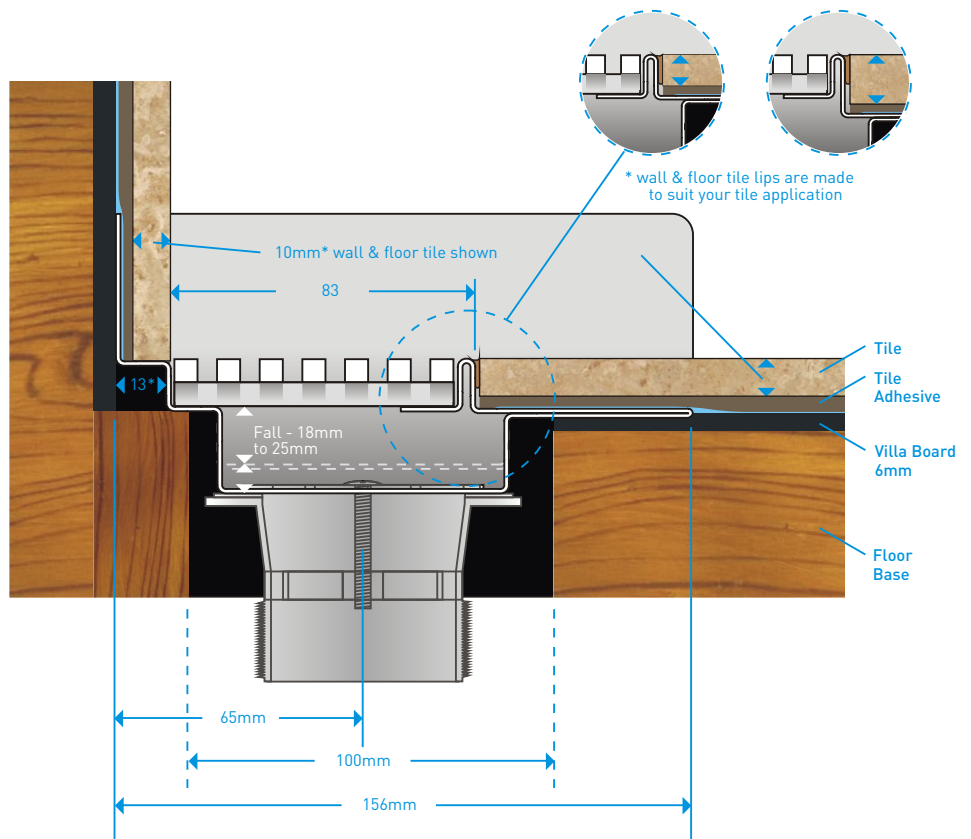
advantage Wall to Wall

Designed to sit at the rear of shower, surrounded by three walls, the Advantage Wall to Wall is built to suit your needs.

Built in fall to left or right hand side, treaded waste or stainless steel dropper.

Length of the drain, tile thickness and waste outlet position are all taken in to account when creating your tailor made drain.

- Low Profile Drain
- Built in Fall to outlet if positioned to Left or Right of drain
- 316 Stainless Steel Drain and Grate

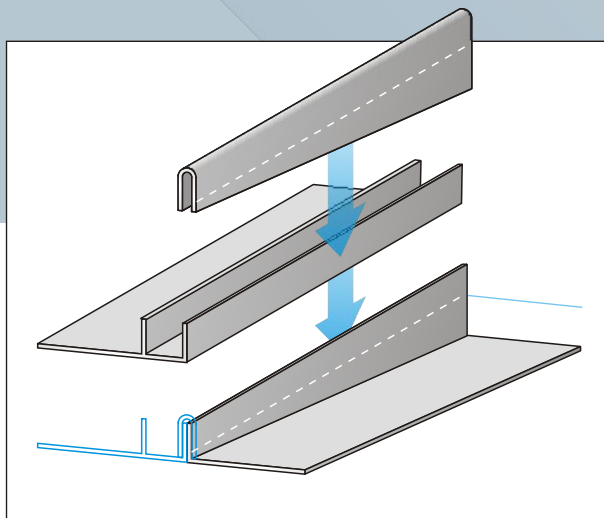


advantage
Wall to Tile

Use Glass panels as walls in your shower with confidence using our unique Graded Flashing Kit. A three piece flashing that not only creates a water stop point between the graded and flat sections of the floor, it also incorporates a glass channel for your shower screen.



Creative Drain Solutions™



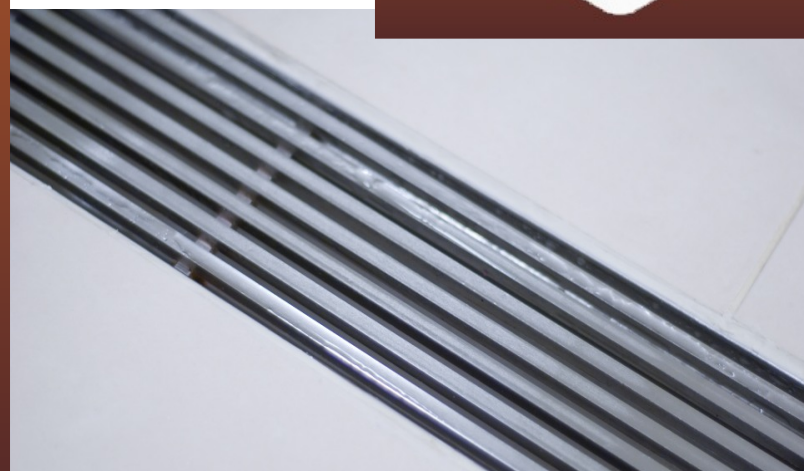
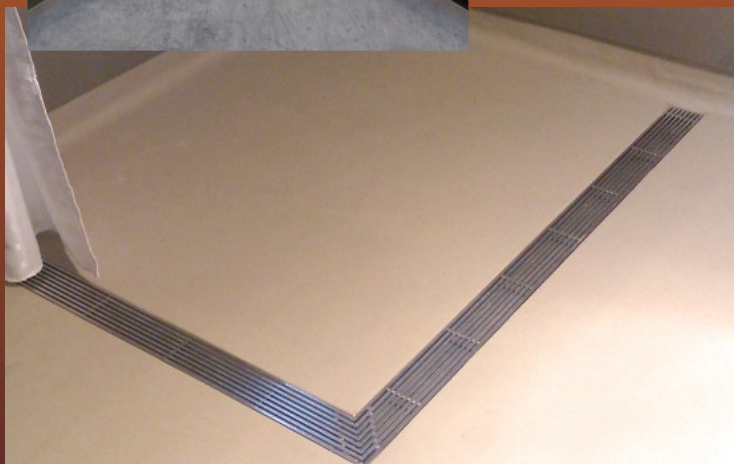
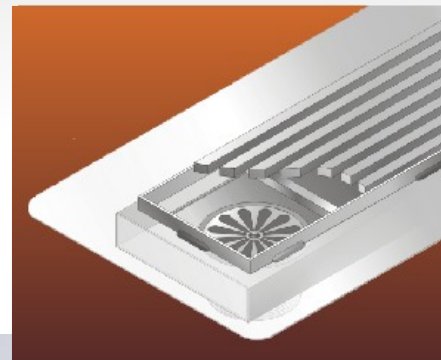
advantage
Corner Drain



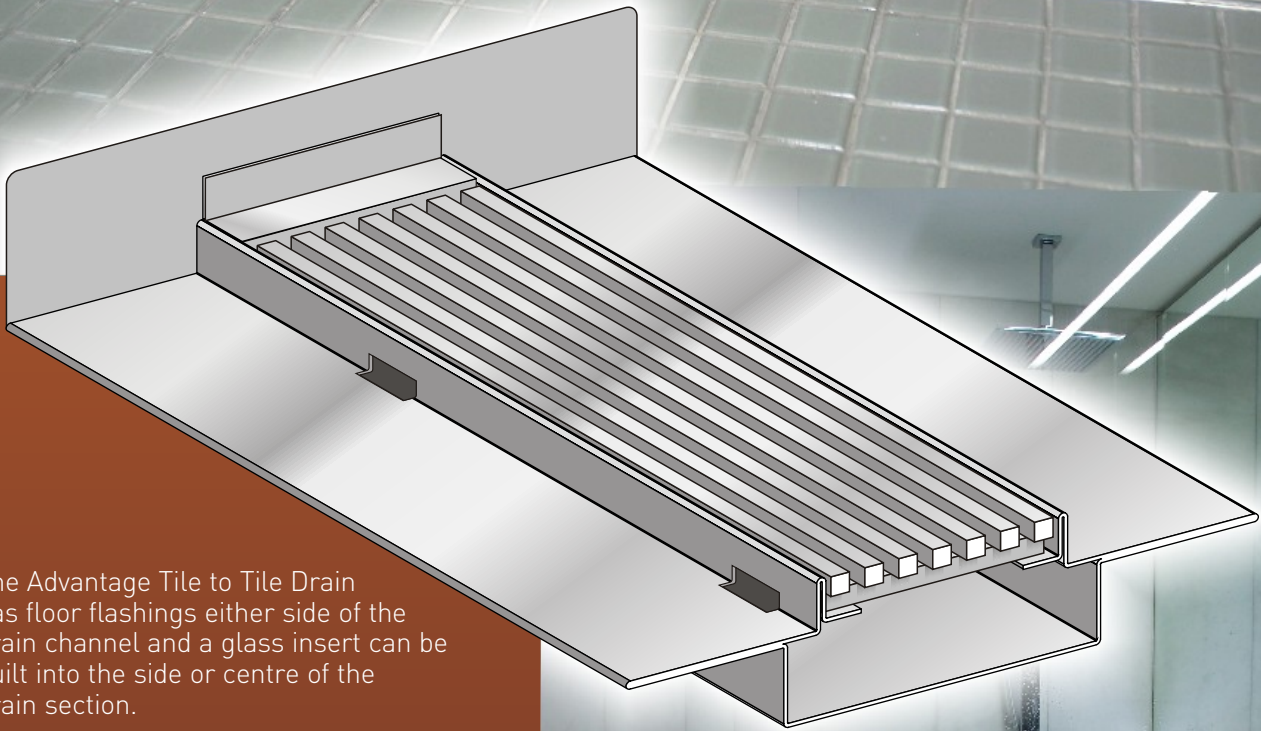
Custom Corner Drains for easy wheel chair or disabled access.

advantage
Tile Surround

Allows for floor tiles around all sides. Available in standard sizes with left or right fall. Easy to install eliminates need for custom lengths.



advantage
Tile to Tile



The Advantage Tile to Tile Drain has floor flashings either side of the drain channel and a glass insert can be built into the side or centre of the drain section.



Floor flashings can be adjusted to allow for different floor finishes either side of the drain, eg. ceramic tiles to timber floor boards.



Tile Insert Tray



Creative Drain Solutions™

Designed to be a discrete, virtually invisible drainage solution. Install with the tile or stone of your choice.

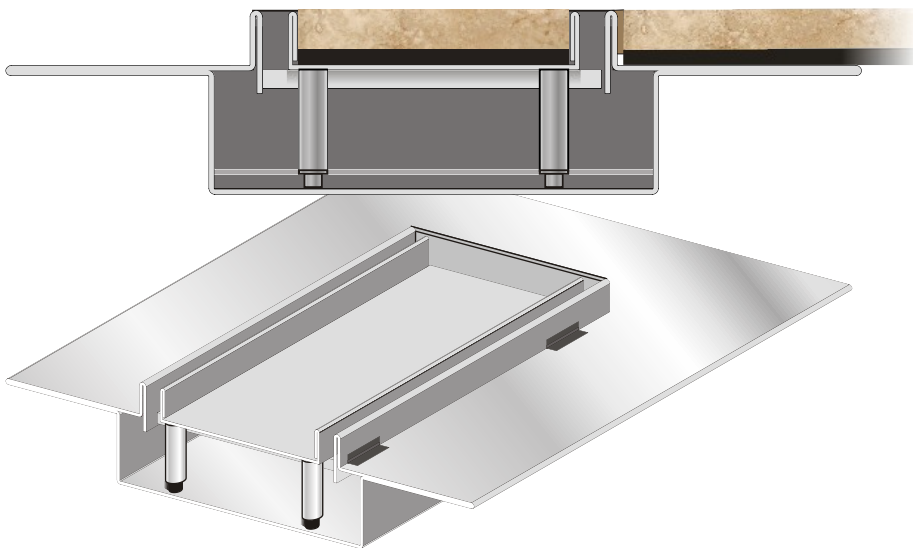
From thin ceramic tile to thicker marble pieces, the depth of the tile tray and floor flashings are adjusted to suit your individual needs.



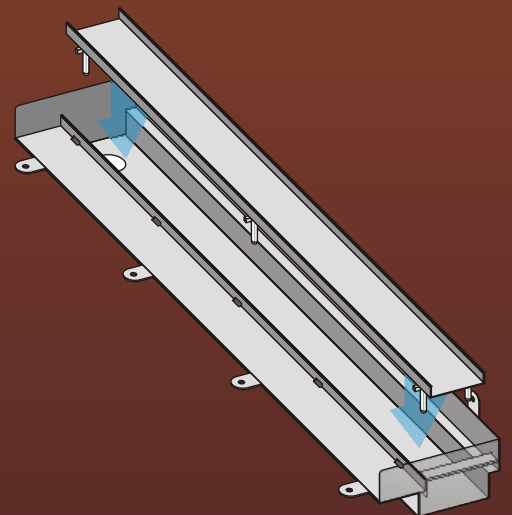
The tile insert tray can be easily removed for maintenance and cleaning.



From thin mosaic tile to thicker marble pieces, the depth of the tile tray and floor flashings are adjusted to suit your individual needs.

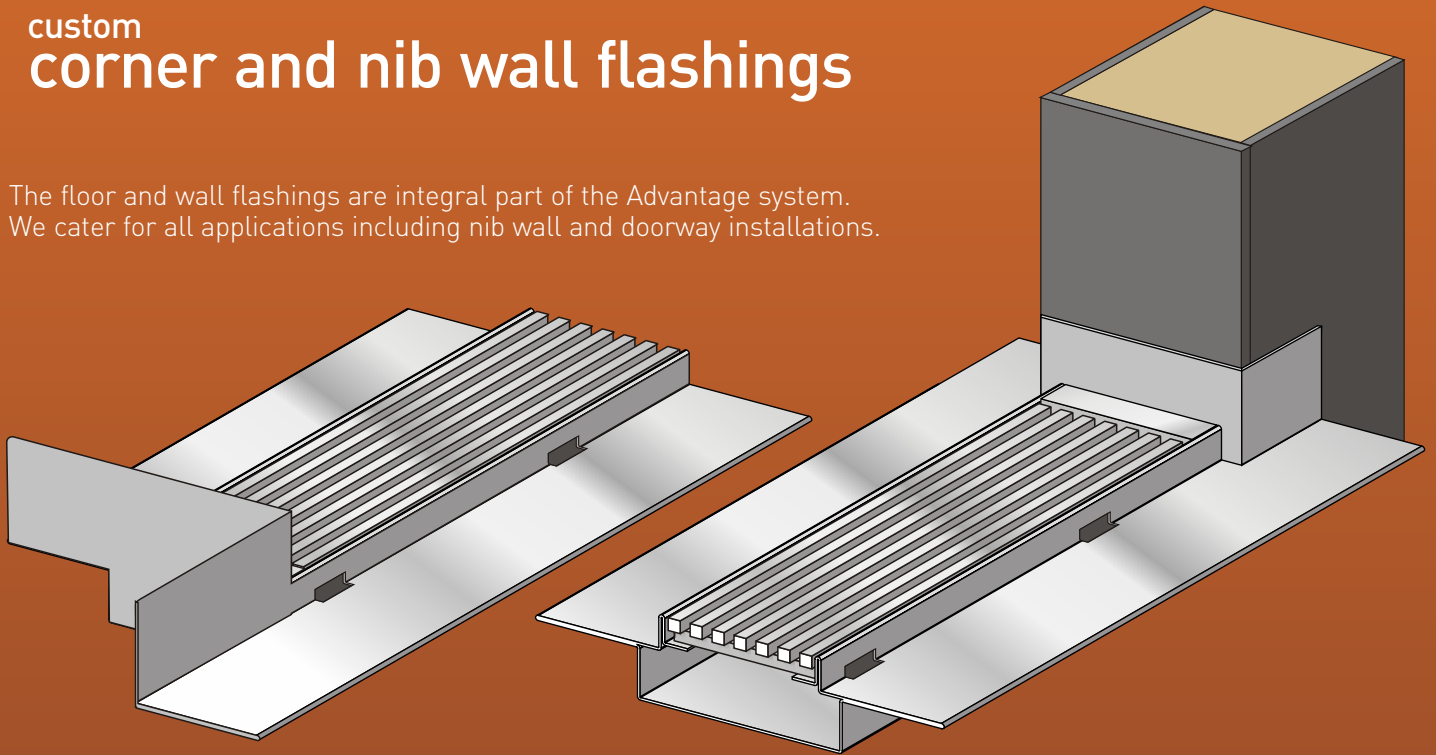


Available in all same formats as the Advantage range: Wall to Wall, Wall to Tile and Tile Surround.

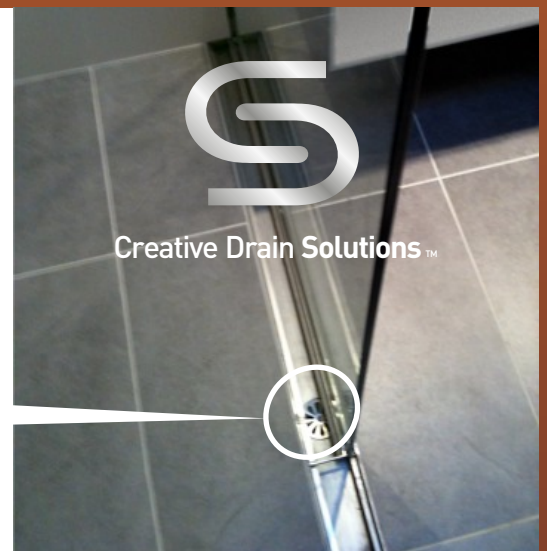
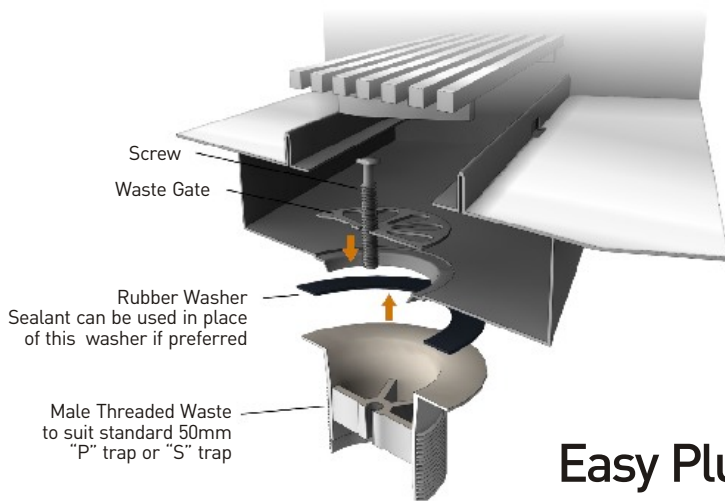


custom corner and nib wall flashings

The floor and wall flashings are integral part of the Advantage system. We cater for all applications including nib wall and doorway installations.



plug and washer



Easy Plumbing

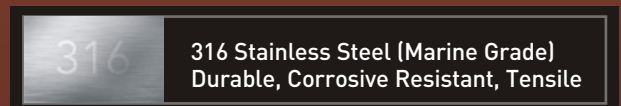
Standard 50mm male threaded waste outlet supplied with Indoor Drains for straight forward connection to plumbing.

Electropolished

A process of chemically passivating the surface area of your drain for a superior quality finish. Eliminates free iron content from all welded areas for easy maintenance and cleaning, ensuring a lifelong, durable finish.



Australian Owned,
Designed & Manufactured
Quick Turn Around
Support Australian Made



Creative Drain Solutions

Factory 13, 69 Acacia Road
Ferntree Gully 3156 Victoria Australia
Tel (03) 9758 0588 Fax (03) 9758 0533

Web www.creativedrainsolutions.com.au