



**euro**  
**FIREPLACES**  
— CATALOGUE —

# ABOUT EURO FIREPLACES

Euro Fireplaces provide the latest in European made wood heating technology. Highly efficient (up to 73%), with ultra-low emissions (as low as 0.4 grams), the units are sourced from leading European manufacturers with over 100 years of experience in designing and building wood heaters, based on the principle of using the smallest amount of firewood for the highest amount of heat output.

The heaters work by natural convection; the most efficient and cost-effective way of heating your house. Cold air is drawn in to the bottom of the heater and warm air emitted from the top, resulting in a consistent cycle of warming the air throughout your house.

Some of the heaters come with optional heat bank, either in the form of refractory concrete slabs sitting between the inner and outer skin of the heater, or a natural soapstone or ceramic tile finish. Heat bank will retain heat for many hours, releasing it slowly as radiant heat. Heat bank will also help to maintain more coals for longer inside the firebox.





INFORMATION 4



MILANO 10



FALUN 12



FALUN CERAMIC 16



ANDORRA 22



HAAS & SOHN 30



INSERTS 34



MISC 40

## Overview

Our fireplaces utilise the latest in European technology to create highly effective, environmentally friendly heating for your home. Combining natural convection with radiant heat and using advanced technology to supply external air into the firebox, correct operation techniques result in a more complete burn than a fan forced wood heater, allowing for wood savings of up to 60%.

## Clean Burning:

The advanced air supply technology allows the heater to burn every combustible part of the wood; even gases emitted during the burning process are ignited before they can escape the firebox. When burning correctly, emissions in our heaters go as low as 0.4 grams per kilogram of wood, meaning that all of our heaters are currently under the 2019 Australian target of 1.5 grams. Some of our heaters are even four times lower than the 2019 requirement.

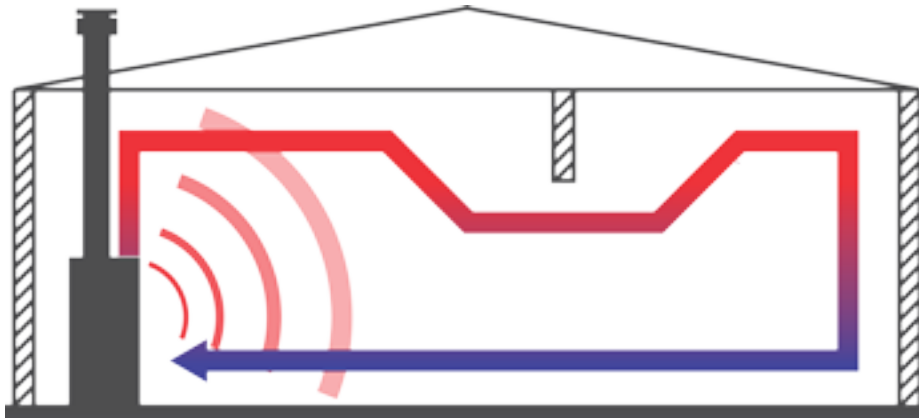
## Efficiency:

The Australian target for efficiency in wood heaters is a minimum of 60% for all heaters sold by 2019. Most of our wood heaters are already reaching that target, with efficiency ratings of around 70% by Australian testing and over 80 % by European testing.



## Natural Convection

Convection is one of the main reasons that a Euro Fireplaces heater can warm such large areas with a comparatively low kilowatt output. Convection refers to the process of creating a cycle of air throughout the house, allowing heat to travel much further without the requirement of an electric fan. The air inside the convection chamber of the heater is forced to rise as it warms; this in turn creates a vacuum inside the chamber which will pull cold air inside. This movement of air will spread throughout the available space faster and more effectively than a standard fan forced heater, eliminating the need for any electrical components or moving parts. This process does require the house to be relatively well sealed from the outside, otherwise cold air will be pulled into the house from outside.



## Heat bank

As well as natural convection our heaters also emit tremendous radiant heat. Often called 'the healthy heat', radiant heat is like heat from the sun, with 17 degrees seeming like 22 degrees. More Heat Bank will emit more radiant heat for longer. Heat Bank can come in the form of added refractory concrete slabs, high end magnesite stone blocks or a ceramic/soapstone finish to the heater. By adding to the thermal mass, Heat Bank will also allow the heater to retain coals for longer.



## Flue

A standard Euro Fireplaces flue will need to reach a minimum of 4 metres from the top of the heater. This is important to give the heater optimum draw. All Euro Fireplaces flues use a reflective heat shield for the first metre as opposed to a perforated skin. The heat shield will reflect heat back into the room and reduce the clearances. If necessary the flue can be installed with 45 deg bends. The flue must be installed by a licensed installer.

## Recommended Fuel

We recommend that logs do not exceed 30cm in length. Make sure only air dried, untreated wood logs are used. (Hardwood should be seasoned for a minimum of 2 years before it is used as firewood) Burning waste, plastics, treated or painted wood is illegal due to dangerous emissions. Such fuels will also cause damage to the unit and flue and create health hazards and air pollution. Use of any fuel that is not natural wood or approved briquettes may void the warranty of your heater. Refer to <http://www.epa.vic.gov.au/> for further information.

## Fresh Air Intake

Allows a wood fire to get the oxygen it needs without drawing air from the inside of the house. This option is available in most Euro Fireplaces, and is particularly beneficial in energy efficient homes. The fresh air intake also increases efficiency as warm air inside the house is not depleted by being used to fuel the heater



## Vermiculite

Vermiculite insulates and protects the metal firebox of the heater from temperatures up to 800 degrees. The vermiculite baffle also prevents heat being lost into the flue. The Vermiculite lined combustion chamber is also a reflector material that forces the heat of the fireplace back into the fire, bringing the firebox temperature to drastically higher levels allowing for more fuel value in the wood to be combusted. Higher heat inside the fire chamber will also result in cleaner burning.

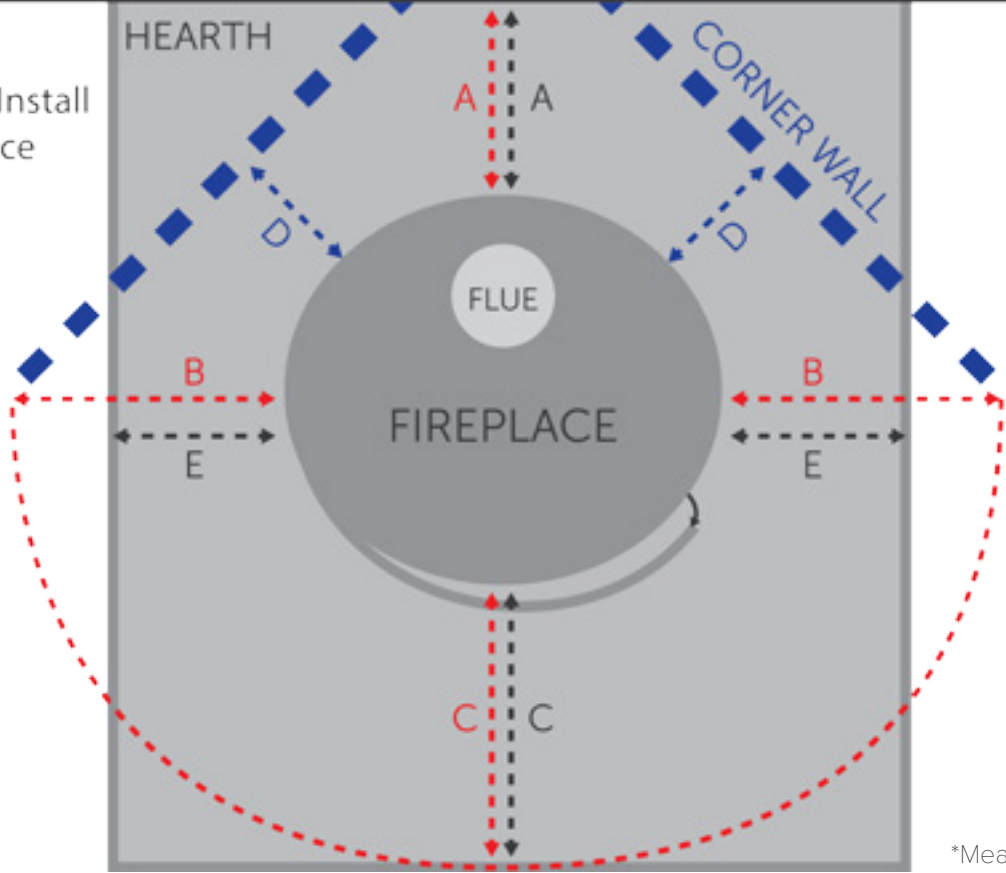
- Insulates the burning chamber (reducing heat loss through the flue)
- Protects the metal in the burning chamber from direct heat
- Increases the burning temperature in the fire chamber (resulting in a cleaner burn)
- Reflects heat back into the room (for instant radiant heat through the window)





WALL

- Hearth
- Corner Install
- Clearance



\*Measurements in mm



## Clearance Guide

Clearances for Euro Fireplaces are tested to the Australian standard by HRL and ASFT, and refer to the minimum distance the heater must be installed to a combustible wall, the hearth requirements, as well as the minimum distance allowable to combustible material, such as furniture or other items that can be damaged by high levels of heat.

To find the clearances of a heater refer to the small table on each page. The numbers correspond to the clearances shown on the diagram to the left. Please use this as a reference for all installations of Euro Fireplaces heaters.

A	B	C	D	E
#	#	#	#	#

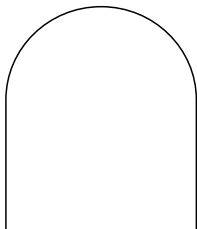
## Hearth

Our heaters must be installed on a non-combustible base or hearth. Our reinforced glass hearth allows the heater to be presented without compromising the look of your floor surface.

The glass hearth is made from 8mm toughened glass and can withstand heat and shock caused by wood or tools falling on to it. Euro Fireplaces glass hearths are cut to fit the clearances of any of our heaters and come in two sizes:

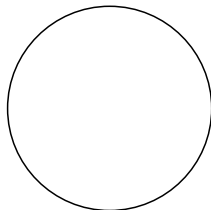
### 1000x1200 'D' Shape

Suited for wall installations



### 1100 diameter circle

Suited for corner installations



Stainless Steel Milano



## ■ ■ MILANO \$1,490

Tested to AS/NZS 4012,4013:2014



- Europe's most popular wood heater
- Includes cook-top function
- Highly efficient, low emissions
- Easy air flow control
- Excellent natural convection
- Small but powerful
- The ideal heater for flats, workshops and kitchen areas

### HEAT RETENTION

Coal retention with correct operating procedures: around 5 to 6 hours.

### CLEARANCES

Stated clearances are to combustible materials (stud walls etc.).

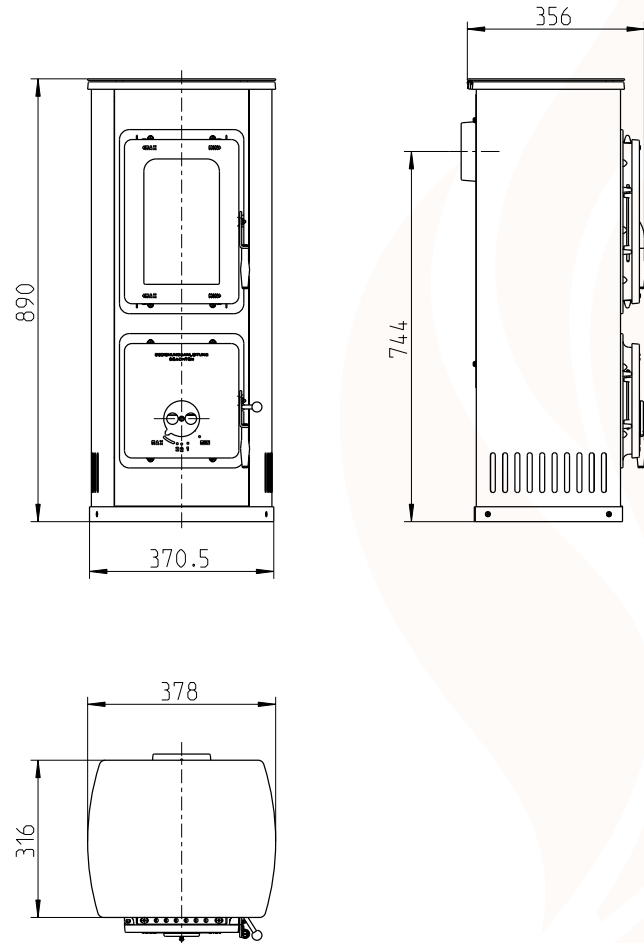
Clearances for non-combustible material: please keep a 100mm gap to allow correct airflow.

Please note that clearances on a back flue heater are from the active flue/heat shield, not the body of the heater.

Clearance table refer to page 8

A	B	C	D	E	
225	470	300	540	200	Please note that a standard glass hearth already fits all the clearances of all Euro Fireplaces free standing heaters.

Firebox Type	Milano
Dimensions (mm)	H890 W375 D356
Weight	70kg
Output Range	2.5 - 7.5kW
Heating capacity	100 sm to 140 sm
Efficiency AUS/EU	64% / 79%
Wood Consumption	1.3kg/hr
Finish	Steel
Colours	Burgundy / Stainless
Flue Size/Outlet/Length	125mm/Top/4m
External Air Supply	No
Log Size	Approximately 250mm
Clearance - Back/Side/Corner Type	225mm/540mm/470mm
Heat Bank	Not Available
Emissions	1.4 gram/kg
Warranty	2 Years Manufacturers +2 Year Euro Fireplaces



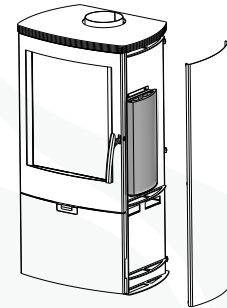


## **FALUN** \$2,990

Tested to AS/NZS 4012,4013:2014



- Low Emissions, high Efficiency
- Easy operation air flow mechanism
- Excellent natural convection
- Optional Heat Bank available
- One of Euro Fireplaces top sellers



### HEAT RETENTION

Falun can fit one slab of heatbank in each side behind the steel wall. Coal retention with correct operating procedures: around 5 to 6 hours with heat bank + 1 hour.

### CLEARANCES

Stated clearances are to combustible materials (stud walls etc.).

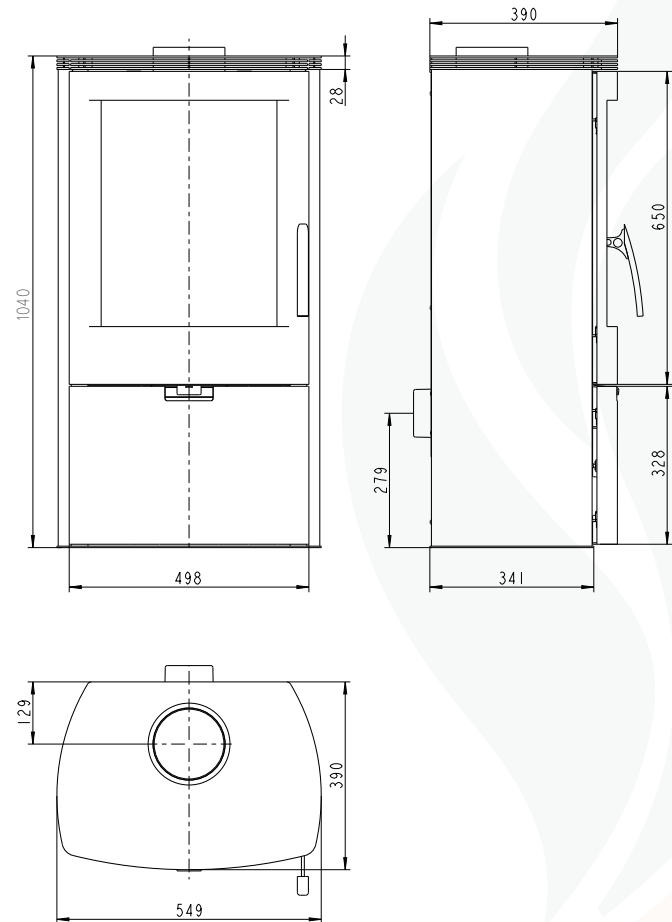
Clearances for non-combustible material: please keep a 100mm gap to allow correct airflow.

Clearance table refer to page 8

A	B	C	D	E
250	300	300	250	200

Please note that a standard glass hearth already fits all the clearances of all Euro Fireplaces free standing heaters.

Firebox Type	Falun
Dimensions (mm)	H1040 W550 D390
Weight	105kg
Output Range	4 - 12kW
Heating capacity	170 sm to 240 sm
Efficiency AUS/EU	72% / 82%
Wood Consumption	1.8kg/hr
Finish	Steel
Colours	Burgundy, Black
Flue Size/Outlet/Length	145mm/Top/4m
External Air Supply	Yes, 100mm
Log Size	Approximately 330mm
Clearance - Back/Side/Corner Type	250mm/300mm/250mm
Heat Bank	Internal Refractory Concrete (200.00)
Emissions	1.3 gram/kg
Warranty	2 Years Manufacturers +2 Year Euro Fireplaces





## ■ KIRUNA \$2,590

Tested to AS/NZS 4012,4013:2014



- Low Emissions, high Efficiency
- Easy operation air flow mechanism
- Excellent natural convection
- Fast building heat
- Wood storage underneath hot box

### HEAT RETENTION

Coal retention with correct operating procedures: around 5 to 6 hours.

### CLEARANCES

Stated clearances are to combustible materials (stud walls etc.).

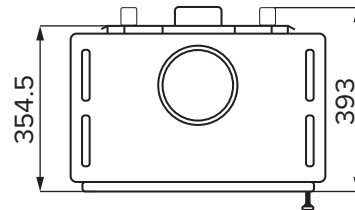
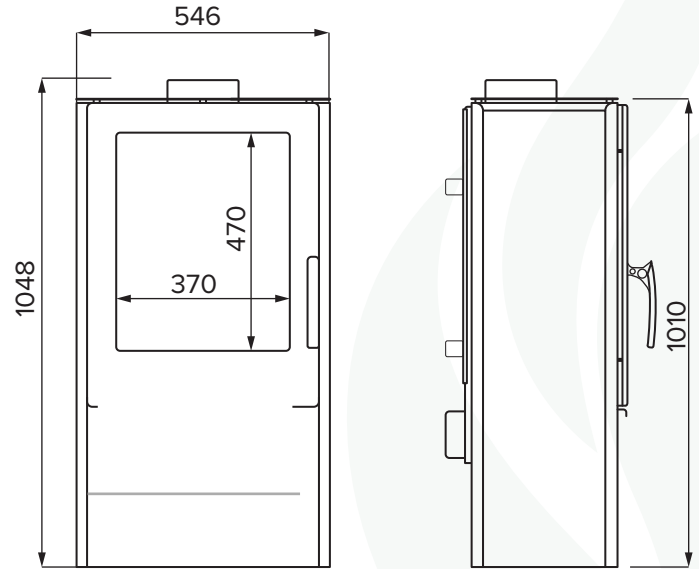
Clearances for non-combustible material: please keep a 100mm gap to allow correct airflow.

Clearance table refer to page 8

A	B	C	D	E
250	300	300	250	200

Please note that a standard glass hearth already fits all the clearances of all Euro Fireplaces free standing heaters.

Firebox Type	Falun
Dimensions (mm)	H1050 W546 D355
Weight	85kg
Output Range	4 - 12kW
Heating capacity	170 sm to 240 sm
Efficiency AUS/EU	72% / 82%
Wood Consumption	1.8kg/hr
Finish	Steel
Colours	Grey
Flue Size/Outlet/Length	145mm/Top/4m
External Air Supply	Yes, 100mm
Log Size	Approximately 330mm
Clearance - Back/Side/Corner Type	250mm/300mm/250mm
Heat Bank	No
Emissions	1.3 gram/kg
Warranty	2 Years Manufacturers +2 Year Euro Fireplaces





## ■ WIESBADEN \$3,390

Tested to AS/NZS 4012,4013:2014



- Double glazed panoramic side windows
- Elevated firebox with large frameless glass
- Low Emissions, high efficiency
- Subtle storage compartment beneath firebox
- Low wood consumption
- Maximum natural convection

### HEAT RETENTION

Coal retention with correct operating procedures: around 5 to 6 hours.

### CLEARANCES

Stated clearances are to combustible materials (stud walls etc.).

Clearances for non-combustible material: please keep a 100mm gap to allow correct airflow.

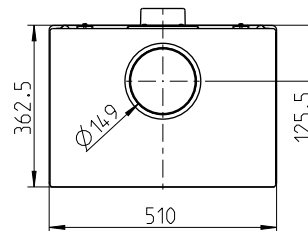
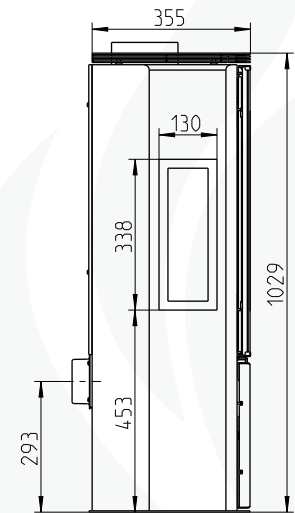
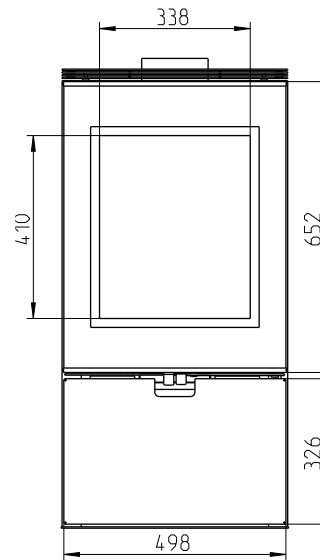
Clearance table refer to page 8

A	B	C	D	E
250	1200	300	N/A	200

Please note that a standard glass hearth already fits all the clearances of all Euro Fireplaces free standing heaters.



Firebox Type	Falun
Dimensions (mm)	H1029 W510 D355
Weight	110kg
Output Range	4 - 12kW
Heating capacity	170 sm to 240 sm
Efficiency AUS/EU	72% / 79%
Wood Consumption	1.8kg/hr
Finish	Steel
Colours	Black
Flue Size/Outlet/Length	145mm/Top/4m
External Air Supply	Yes, 100mm
Log Size	Approximately 330mm
Clearance - Back/Side/Corner Type	250mm/1200mm/na
Heat Bank	No
Emissions	1.5 gram/kg
Warranty	2 Years Manufacturers +2 Year Euro Fireplaces





## CREMONA \$2,990

Tested to AS/NZS 4012,4013:2014



- *Excellent natural convection*
- *Low Emissions, high Efficiency*
- *Elevated fire box with contemporary frameless door*
- *Storage compartment*

### HEAT RETENTION

The cremona stores heat in the ceramic tiles that line the side walls of the fireplace. Coal retention with correct operating procedures: around 5 to 6 hours

### CLEARANCES

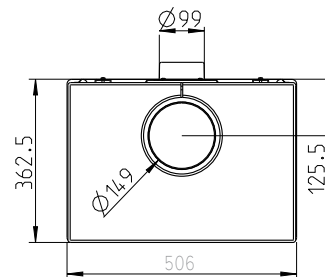
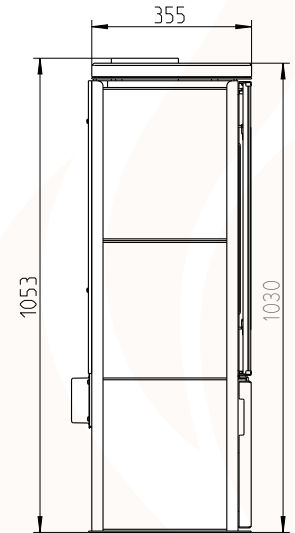
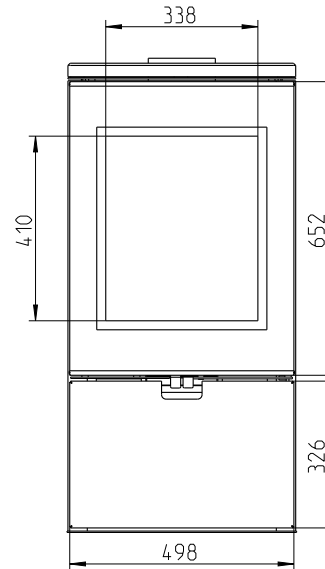
Stated clearances are to combustible materials (stud walls etc.).

Clearances for non-combustible material: please keep a 100mm gap to allow correct airflow.

Clearance table refer to page 8

A	B	C	D	E	Please note that a standard glass hearth already fits all the clearances of all Euro Fireplaces free standing heaters.
250	300	300	250	200	

Firebox Type	Falun
Dimensions (mm)	H1053 W506 D355
Weight	100kg
Output Range	4 - 12kW
Heating capacity	170 sm to 240 sm
Efficiency AUS/EU	73% / 82%
Wood Consumption	1.8kg/hr
Finish	Steel/Tile
Colours	Sandstone, Black
Flue Size/Outlet/Length	145mm/Top/4m
External Air Supply	Yes, 100mm
Log Size	Approximately 330mm
Clearance - Back/Side/Corner Type	250mm/300mm/250mm
Heat Bank	Ceramic Tiles
Emissions	1.5 gram/kg
Warranty	2 Years Manufacturers +2 Year Euro Fireplaces



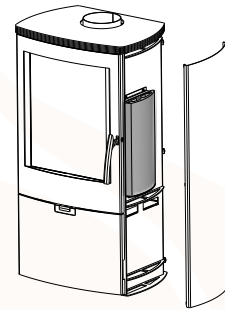


## ■ ■ FALUN ceramic \$3,590

Tested to AS/NZS 4012,4013:2014



- Low Emissions, high Efficiency
- Easy operation air flow mechanism
- Excellent natural convection
- Excellent heat storage
- Optional Heat Bank available
- One of Euro Fireplaces top heat bank sellers



### HEAT RETENTION

The ceramic tiles will act as heat bank, 2 x extra heat bank ( refractory concrete ) can be added by installing brackets to hold the heat bank in place. Coal retention with correct operating procedures: around 6 hours + with added heat bank + 1 hour

### CLEARANCES

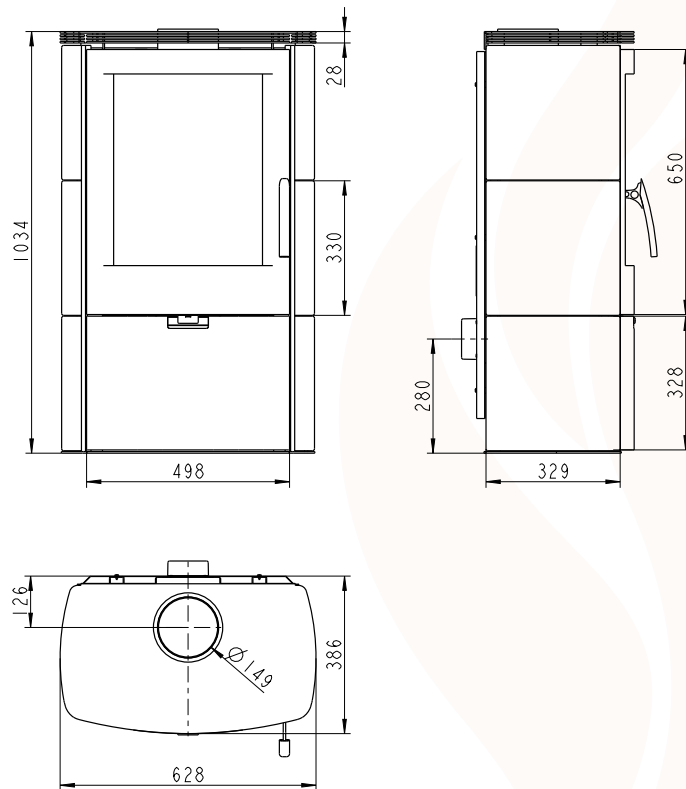
Stated clearances are to combustible materials (stud walls etc.).

Clearances for non-combustible material: please keep a 100mm gap to allow correct airflow.

Clearance table refer to page 8

A	B	C	D	E	Please note that a standard glass hearth already fits all the clearances of all Euro Fireplaces free standing heaters.
250	300	300	250	200	

Firebox Type	Falun
Dimensions (mm)	H1034 W628 D386
Weight	136kg
Output Range	4 - 12kW
Heating capacity	170 sm to 240 sm
Efficiency AUS/EU	73% / 82%
Wood Consumption	1.8kg/hr
Finish	Ceramic Tiles
Colours	Burgundy, Cream
Flue Size/Outlet/Length	145mm/Top/4m
External Air Supply	Yes, 100mm
Log Size	Approximately 330mm
Clearance - Back/Side/Corner Type	250mm/300mm/250mm
Heat Bank	Internal Refractory Concrete (200.00)
Emissions	1.3 gram/kg
Warranty	2 Years Manufacturers +2 Year Euro Fireplaces





## LANDSHUT \$3,690

Tested to AS/NZS 4012,4013:2014



- Low Emissions, high Efficiency
- Easy operation air flow mechanism
- Excellent natural convection
- Wood storage compartment
- Decorative European design

### HEAT RETENTION

The ceramic tiles of the Landshut act as heat bank , no added heat bank is possible. Coal retention with correct operating procedures: around 6+ hours.

### CLEARANCES

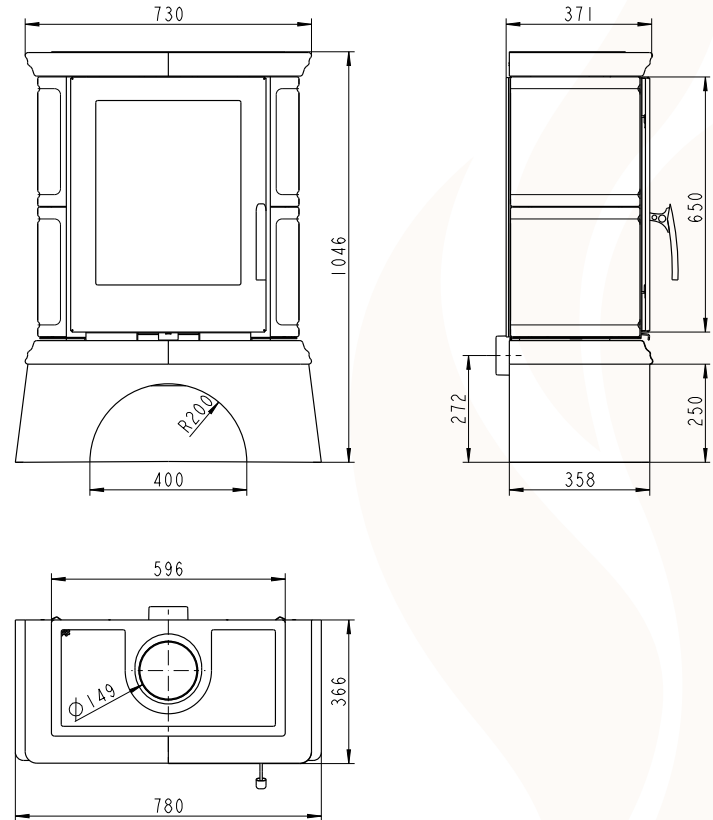
Stated clearances are to combustible materials (stud walls etc.).

Clearances for non-combustible material: please keep a 100mm gap to allow correct airflow.

Clearance table refer to page 8

A	B	C	D	E	
250	300	300	250	200	Please note that a standard glass hearth already fits all the clearances of all Euro Fireplaces free standing heaters.

Firebox Type	Falun
Dimensions (mm)	H1046 W780 D371
Weight	137kg
Output Range	4 - 12kW
Heating capacity	170 sm to 240 sm
Efficiency AUS/EU	73% / 82%
Wood Consumption	1.8kg/hr
Finish	Steel, Ceramic Tiles
Colours	Cappuccino
Flue Size/Outlet/Length	145mm/Top/4m
External Air Supply	Yes, 100mm
Log Size	Approximately 330mm
Clearance - Back/Side/Corner Type	250mm/300mm/250mm
Heat Bank	Ceramic Tiles
Emissions	1.5 gram/kg
Warranty	2 Years Manufacturers +2 Year Euro Fireplaces



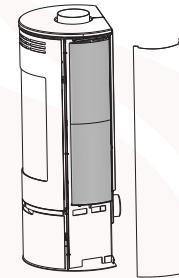


## ■ ANDORRA \$3,190

Tested to AS/NZS 4012,4013:2014



- One of Australia's lowest emission wood heaters and one of Euro Fireplaces top sellers
- Elevated fire box with large panoramic window
- Optional Soapstone top finish
- Storage compartment with magnetic door
- Optional heat bank technology available



### HEAT RETENTION

Andorra can fit 2 x slabs of heat bank on each side, holes for the heat bank bracket installation are pre drilled. Coal retention with correct operating procedures: around 6 hours + with added heat bank + 1 hour

### CLEARANCES

Stated clearances are to combustible materials (stud walls etc.).

Clearances for non-combustible material: please keep a 100mm gap to allow correct airflow.

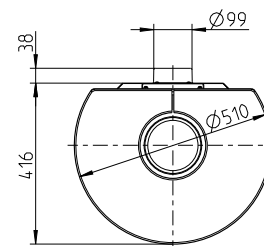
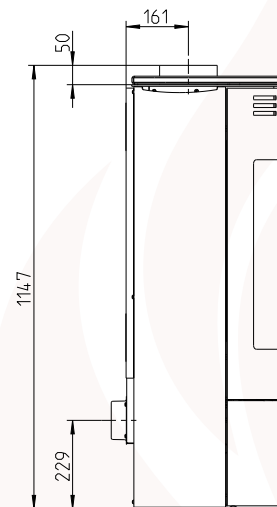
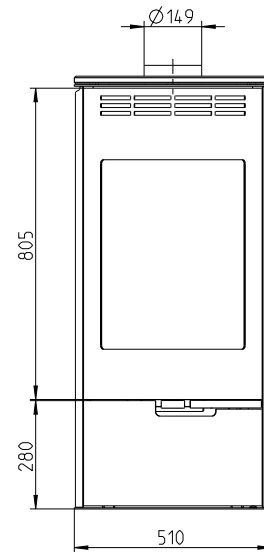
**Clearance table** refer to page 8

A	B	C	D	E
250	550	300	170	200

Please note that a standard glass hearth already fits all the clearances of all Euro Fireplaces free standing heaters.



Firebox Type	Andorra
Dimensions (mm)	H1147 W510 D416
Weight	110kg
Output Range	4 - 12kW
Heating capacity	170 sm to 240 sm
Efficiency AUS/EU	67% / 82%
Wood Consumption	1.8kg/hr
Finish	Steel / Soapstone Top
Colours	Grey
Flue Size/Outlet/Length	145mm/Top/4m
External Air Supply	Yes, 100mm
Log Size	Approximately 330mm
Clearance - Back/Side/Corner Type	250mm/550mm/170mm
Heat Bank	Internal Refractory Concrete (300.00)
Emissions	0.8 gram/kg
Warranty	2 Years Manufacturers +2 Year Euro Fireplaces



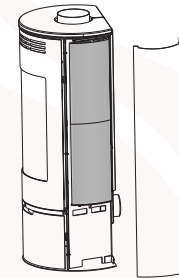


## ■ ANDORRA exclusive \$3,190

Tested to AS/NZS 4012,4013:2014



- One of Australia's lowest emission wood heaters and one of Euro Fireplaces top sellers
- Elevated fire box with large panoramic window
- Optional Soapstone top finish
- Storage compartment with magnetic door
- Optional heat bank technology available



### HEAT RETENTION

Andorra can fit 2 x slabs of heat bank on each side, holes for the heat bank bracket installation are pre-drilled. Coal retention with correct operating procedures: around 6 hours + with added heat bank + 1 hour

### CLEARANCES

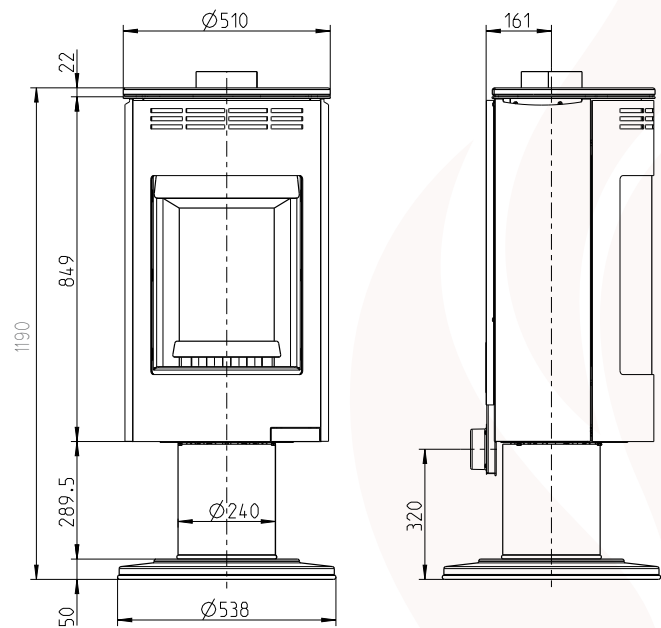
Stated clearances are to combustible materials (stud walls etc.).

Clearances for non-combustible material: please keep a 100mm gap to allow correct airflow.

**Clearance table** refer to page 8

A	B	C	D	E	Please note that a standard glass hearth already fits all the clearances of all Euro Fireplaces free standing heaters.
250	550	300	170	200	

Firebox Type	Andorra
Dimensions (mm)	H1190 W538 D538
Weight	110kg
Output Range	4 - 12kW
Heating capacity	170 sm to 240 sm
Efficiency AUS/EU	67% / 82%
Wood Consumption	1.8kg/hr
Finish	Steel
Colours	Black
Flue Size/Outlet/Length	145mm/Top/4m
External Air Supply	Yes, 100mm
Log Size	Approximately 330mm
Clearance - Back/Side/Corner Type	250mm/550mm/170mm
Heat Bank	Internal Refractory Concrete (300.00)
Emissions	0.8 gram/kg
Warranty	2 Years Manufacturers +2 Year Euro Fireplaces





## ■ CADIZ serpentino \$5,690

Tested to AS/NZS 4012,4013:2014



- Elevated firebox with large panoramic window
- Low emissions, high efficiency
- Natural soapstone heatbank, up to six hour heat retention
- One handle air flow operation system
- Additional heat bank option



### HEAT RETENTION

Cadiz has excellent heat bank properties with the soapstone finish 2x extra refractory heat banks ring can be added. Coal retention with correct operating procedures: around 7 hours + with added heat bank +1 hour.

### CLEARANCES

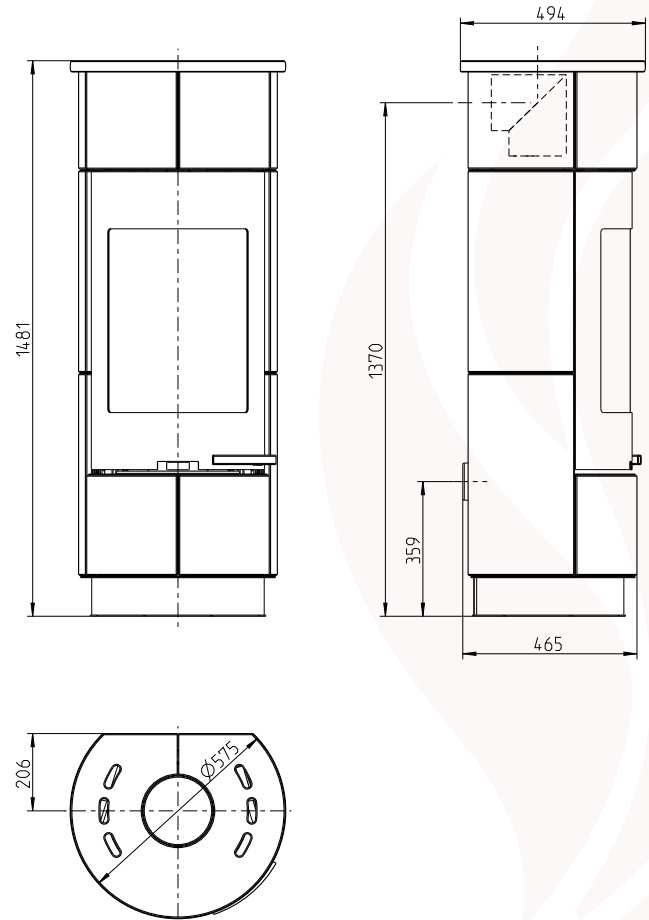
Stated clearances are to combustible materials (stud walls etc.).

Clearances for non-combustible material: please keep a 100mm gap to allow correct airflow.

Clearance table refer to page 8

A	B	C	D	E	Please note that a standard glass hearth already fits all the clearances of all Euro Fireplaces free standing heaters.
250	550	300	170	200	

Firebox Type	Andorra
Dimensions (mm)	H1481 W575 D494
Weight	183kg
Output Range	4 - 12kW
Heating capacity	170 sm to 240 sm
Efficiency AUS/EU	67% / 81%
Wood Consumption	2kg/hr
Finish	Steel and Soapstone
Colours	Soapstone
Flue Size/Outlet/Length	145mm/Top/4m
External Air Supply	Yes, 100mm
Log Size	Approximately 330mm
Clearance - Back/Side/Corner Type	250mm/300mm/170mm
Heat Bank	Internal Refractory Concrete (200.00)
Emissions	0.8 gram/kg
Warranty	2 Years Manufacturers +2 Year Euro Fireplaces



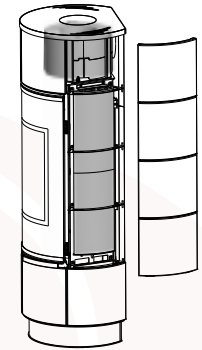


## ■ ■ ATIKA \$5,990

Tested to AS/NZS 4012,4013:2014



- Elevated firebox with large frameless glass door
- Low emissions, high efficiency
- Fully fitted heatbank, maximum heat retention
- One handle air flow operation system
- Modern tile finish



### HEAT RETENTION

Heatbank is pre-fitted into the Atika, with 4 side slabs and 2 top rings in total  
Coal retention with correct operating procedures: around 7 hours +

### CLEARANCES

Stated clearances are to combustible materials (stud walls etc.).

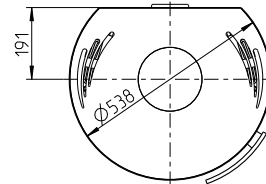
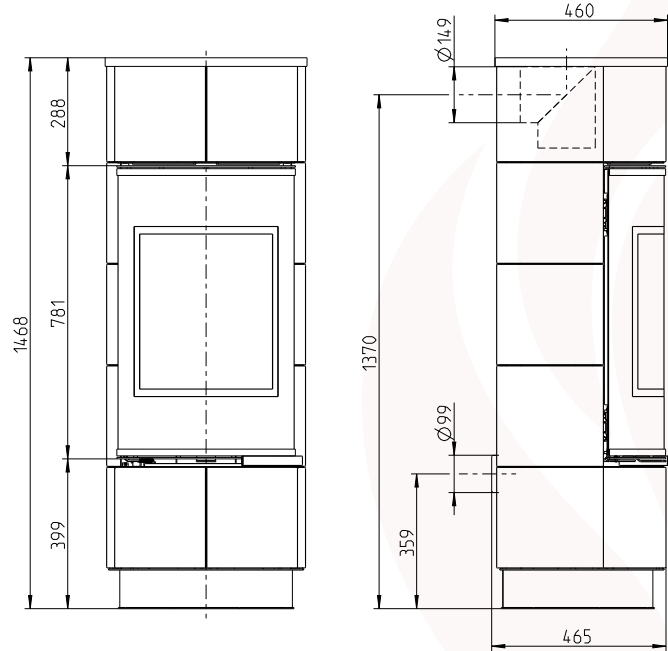
Clearances for non-combustible material: please keep a 100mm gap to allow correct airflow.

**Clearance table** refer to page 8

A	B	C	D	E
250	550	300	170	200

Please note that a standard glass hearth already fits all the clearances of all Euro Fireplaces free standing heaters.

Firebox Type	Andorra
Dimensions (mm)	H1468 W538 D460
Weight	188kg
Output Range	4 - 12kW
Heating capacity	170 sm to 240 sm
Efficiency AUS/EU	67% / 81%
Wood Consumption	2kg/hr
Finish	Steel / Ceramic Tiles
Colours	Black / Burgundy
Flue Size/Outlet/Length	145mm/Top/4m
External Air Supply	Yes, 100mm
Log Size	Approximately 330mm
Clearance - Back/Side/Corner Type	250mm/550mm/170mm
Heat Bank	Pre-Fitted
Emissions	0.8 gram/kg
Warranty	2 Years Manufacturers +2 Year Euro Fireplaces





# OLBIA \$4,490

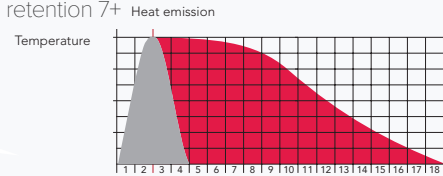
Tested to AS/NZS 4012,4013:2014



- Europe's latest in low emissions and high efficiency
- Latest in long lasting heat accumulator / heat bank technology
- Advanced fireclay lining of the firebox
- Made by Haas + Sohn, one of Europe's leaders in manufacturing of clean technology and high quality wood heaters

## HEAT RETENTION

Olbia uses 52 kg of high density magnesite heat storage blocks for extra-long heat retention. (8+) Coal retention 7+



+ Traditional wood stoves  
+ Haas+Sohn heat storage block

## CLEARANCES

Stated clearances are to combustible materials (stud walls etc.).

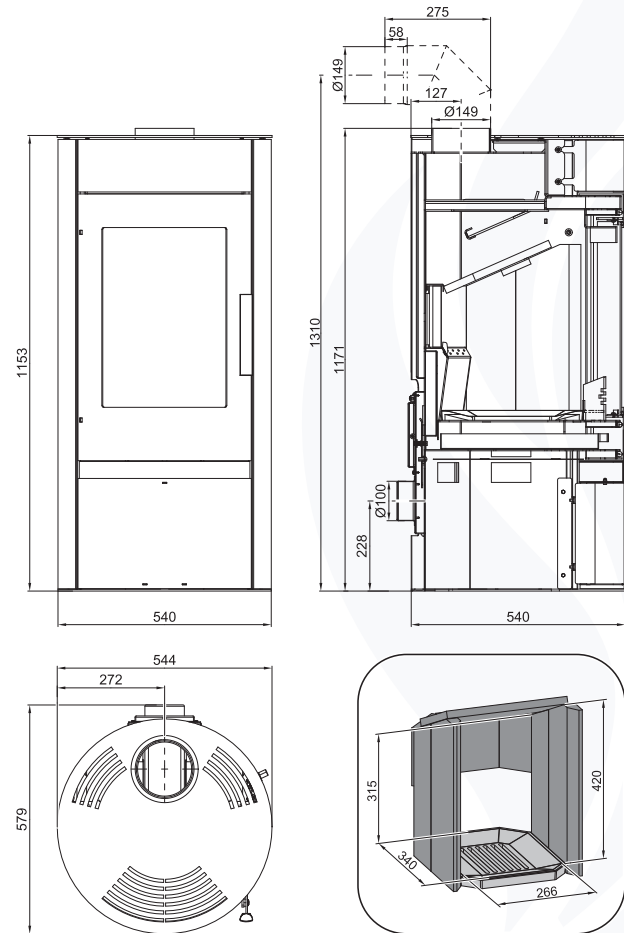
Clearances for non-combustible material: please keep a 100mm gap to allow correct airflow. This heater comes with an attachable heat-shield.

Clearance table refer to page 8

A	B	C	D	E	Please note that a standard glass hearth already fits all the clearances of all Euro Fireplaces free standing heaters.
140	350	300	210	200	



Firebox Type	OLBIA
Dimensions (mm)	H1153 W545 D545
Weight	148kg (+52KG Heatbank)
Output Range	5 - 14kW
Heating capacity	190 sm to 280 sm
Efficiency AUS/EU	70% / 81%
Wood Consumption	2kg/hr
Finish	Steel
Colours	Grey
Flue Size/Outlet/Length	145mm/Top/4m
External Air Supply	Yes, 100mm
Log Size	Approximately 330mm
Clearance - Back/Side/Corner Type	300mm/300mm/300mm
Heat Bank	Pre-Fitted (Magnesite)
Emissions	1.5 gram/kg
Warranty	2 Years Manufacturers +2 Year Euro Fireplaces



## ■ UPPSALA \$5,590

Tested to AS/NZS 4012,4013:2014



- Made exclusively for the Australian market by Haas + Sohn, one of Europe's leaders in manufacturing of clean technology and high quality wood heaters
- Advanced fireclay lining of the fire box
- Long lasting heat storage with nearly 200 kg of natural soapstone
- Easy control Air system

### HEAT RETENTION

Upsala has excellent Soapstone heat bank properties. Coal retention with correct operating procedures around 8 hours +

### CLEARANCES

Stated clearances are to combustible materials (stud walls etc.).

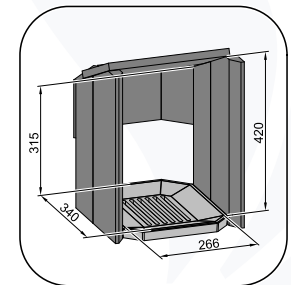
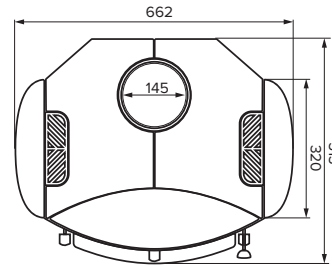
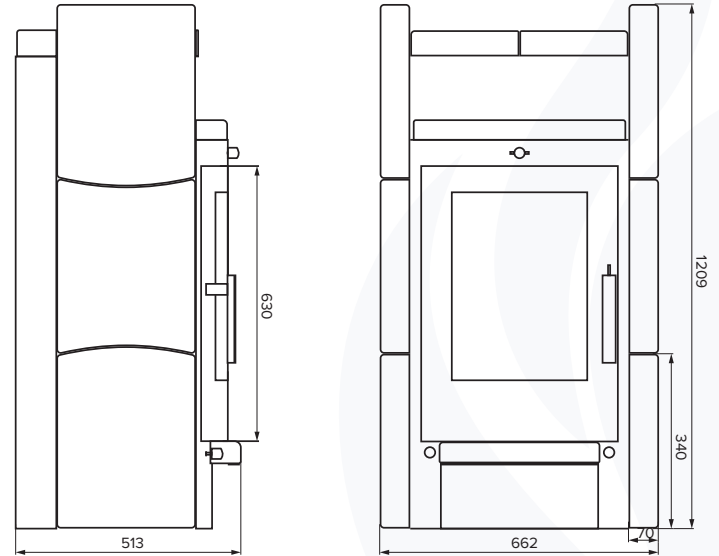
Clearances for non-combustible material: please keep a 100mm gap to allow correct airflow. This heater comes with an attachable heat-shield.

**Clearance table** refer to page 8

A	B	C	D	E	Please note that a standard glass hearth already fits all the clearances of all Euro Fireplaces free standing heaters.
140	350	300	210	200	



Firebox Type	UPPSALA
Dimensions (mm)	H1209 W662 D513
Weight	309kg
Output Range	3 - 6kW
Heating capacity	190 sm to 280 sm
Efficiency AUS/EU	70 / 81%
Wood Consumption	2kg/hr
Finish	Steel, Soapstone
Colours	Grey
Flue Size/Outlet/Length	145mm/Top/4m
External Air Supply	No
Log Size	Approximately 330mm
Clearance - Back/Side/Corner Type	250mm/550mm/170mm
Heat Bank	Soapstone
Emissions	0.6 gram/kg
Warranty	2 Years Manufacturers +2 Year Euro Fireplaces





## ■ BULLER \$3,590



- Panorama firebox
- Low emissions, High efficiency
- Large Fire chamber to fit 450 mm logs
- Excellent KW output
- One handle air flow operation system

### VERSATILE INSTALLATION

The Buller freestanding has 2 different stands available, pedestal and bench.

### HEAT RETENTION

Coal retention with correct operating procedures : around 6 to 7 hours +

### CLEARANCES

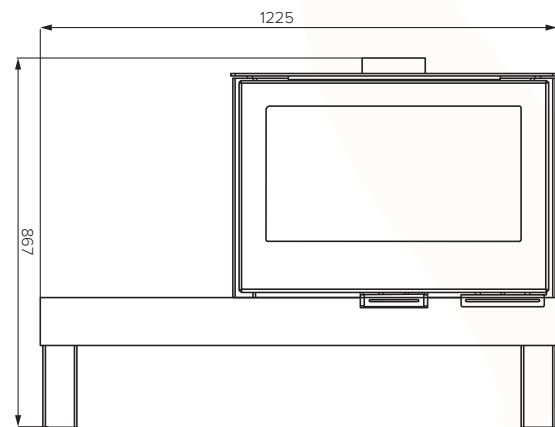
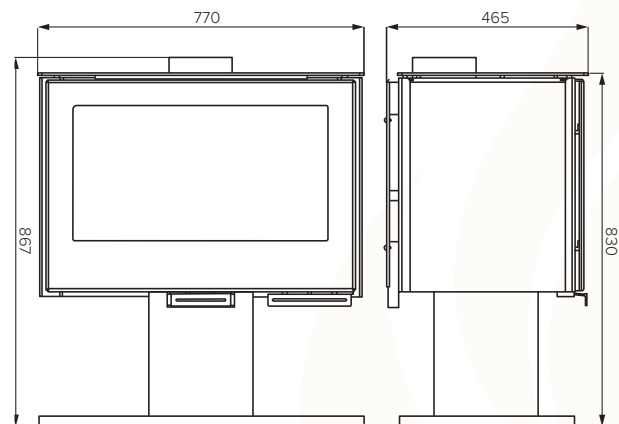
Stated clearances are to combustible materials (stud walls etc.).

Clearances for non-combustible material: please keep a 100mm gap to allow correct airflow.

**Clearance table** refer to page 8

A	B	C	D	E	
280	300	300	280	200	Please note that a standard glass hearth already fits all the clearances of all Euro Fireplaces free standing heaters.

Firebox Type	Landscape
Dimensions (mm) Pedestal - Bench -	H830 W770 D465 H1830 W1225 D520
Weight	105kg
Output Range	6 - 17kW
Heating capacity	200 sm to 280 sm
Efficiency AUS/EU	61% / 76%
Wood Consumption	2kg/hr
Finish	Steel
Colours	Black
Flue Size/Outlet/Length	145 mm/Top/4m
External Air Supply	Yes
Log Size	Approximately 450mm
Clearance - Back/Side/Corner Type	280mm/300mm/280mm
Heat Bank	Not Available
Emissions	1.4 gram/kg
Warranty	2 Years Manufacturers +2 Year Euro Fireplaces





## ■ BULLER Insert \$2,990



- Panorama firebox
- Low emissions, High efficiency
- Large Fire chamber to fit 450 mm logs
- Excellent KW output
- One handle air flow operation system

### HEAT RETENTION

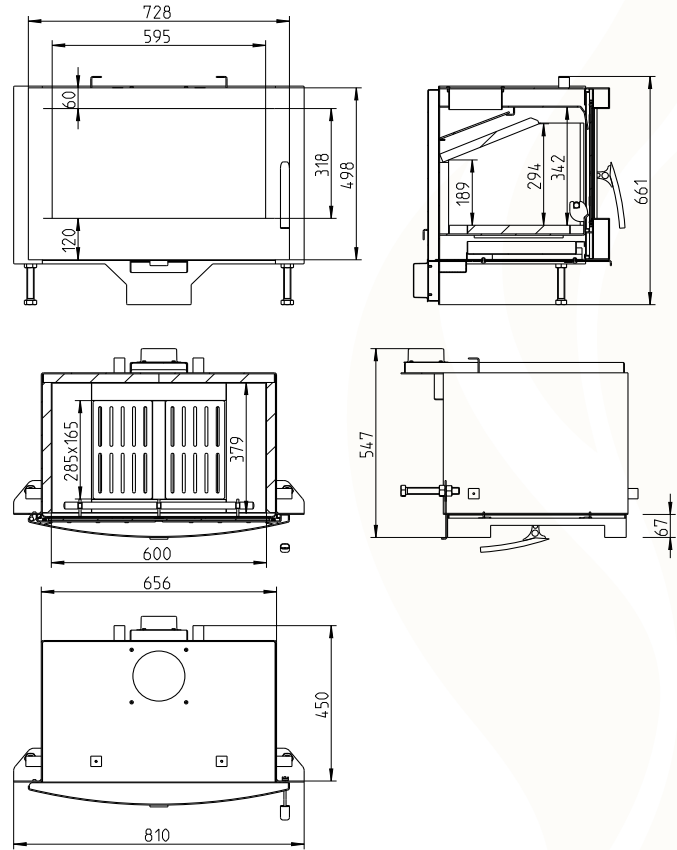
Building in with brick will result in excellent heat retention, building in with Super Isol will result in excellent convection.

Coal retention with correct operating procedures: around 6 hours +  
installed with heat bank 7 hours +

### CLEARANCES

A Super Isol installation provides a zero clearance box, please refer to our inbuilt guide for further information.

Firebox Type	Landscape
Dimensions (mm)	H661 W810 D450
Weight	122kg
Output Range	6 - 17kW
Heating capacity	200 sm to 280 sm
Efficiency AUS/EU	61% / 76%
Wood Consumption	2kg/hr
Finish	Steel
Colours	Black
Flue Size/Outlet/Length	145 mm/Top/4m
External Air Supply	Yes
Log Size	Approximately 450mm
Clearance - Back/Side/Corner Type	280mm/300mm/280mm
Heat Bank	Not Available
Emissions	1.4 gram/kg
Warranty	2 Years Manufacturers +2 Year Euro Fireplaces





## ■ RIBE \$2,490

Tested to AS/NZS 4012,4013:2014



- Australia's Lowest emission hardwood tested wood heater
- Panoramic frameless door
- High efficiency, Low emissions
- Ultra low emissions of 0.4
- Many inbuilt possibilities
- Zero clearance hot box when built with Skamol

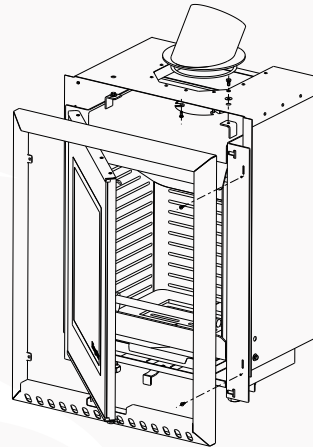
### HEAT RETENTION

Building in with brick will result in excellent heat retention, building in with Super Isol will result in excellent convection.

Coal retention with correct operating procedures: around 6 hours + installed with heat bank 7 hours +

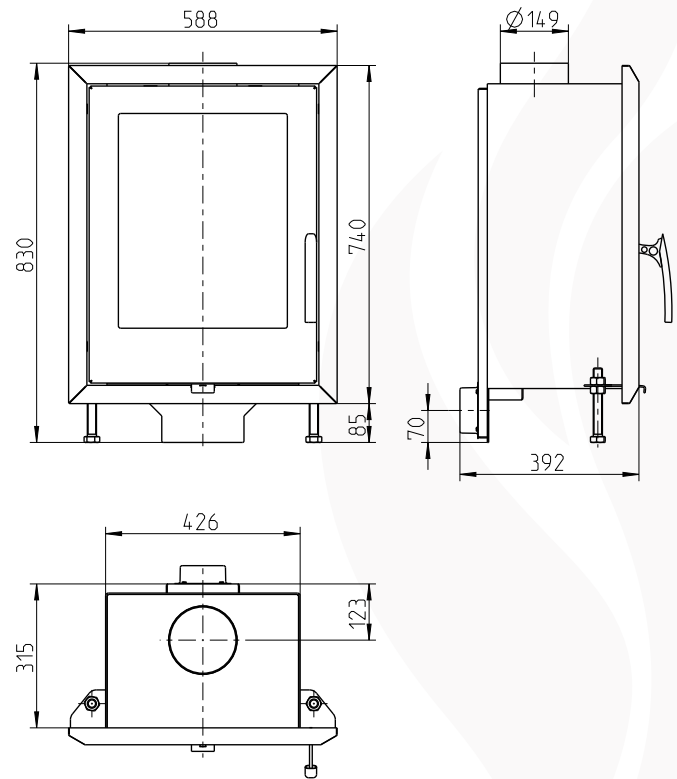
### CLEARANCES

A Super Isol installation provides a zero clearance box, please refer to our inbuilt guide for further information.





Firebox Type	Falun
Dimensions (mm)	H835 W610 D390
Weight	75kg
Output Range	4 - 12kW
Heating capacity	170 sm to 240 sm
Efficiency AUS/EU	73% / 82%
Wood Consumption	1.8kg/hr
Finish	Steel
Colours	Black
Flue Size/Outlet/Length	145mm/Top/4m
External Air Supply	Yes, 100mm
Log Size	Approximately 330mm
Clearance - Back/Side/Corner Type	N/A
Heat Bank	Depends on Construction
Emissions	0.4 gram/kg
Warranty	2 Years Manufacturers +2 Year Euro Fireplaces





## ■ PALLAZZA II \$4,990



- Digitally controlled and operated
- Vibrant clean burning flame
- Automatic temperature control
- Convection air transfer
- Intelligent monitoring system for safe and easy operation
- 7 day programming
- Low noise level

### FUEL

Pellet heaters burn compressed wood pellets. Pellets have nearly no moisture content, meaning they burn hotter and vastly cleaner than a standard wood burning heater.



### CLEARANCES

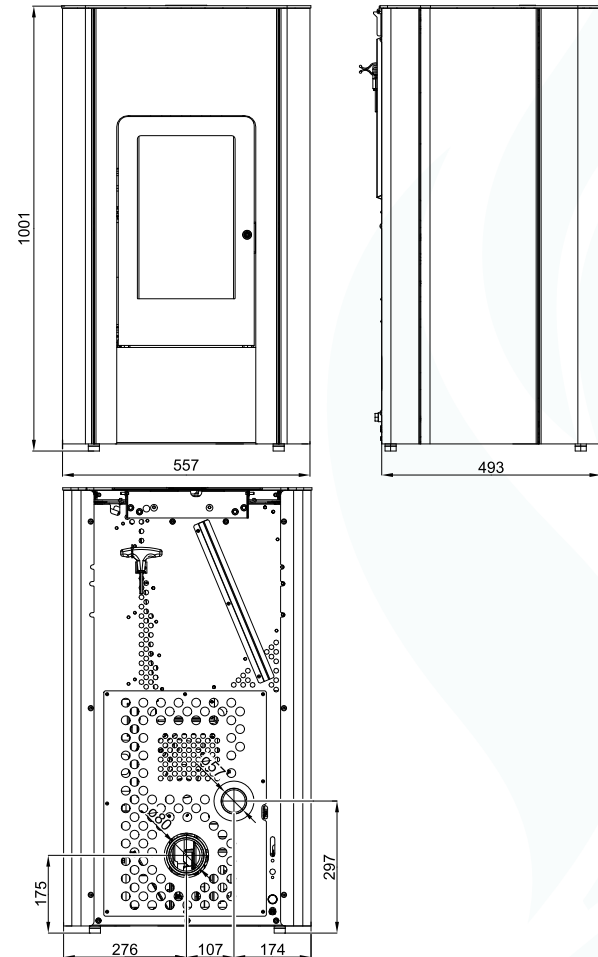
Stated clearances are to combustible materials (stud walls etc.). Clearances for non-combustible material: please keep a 100mm gap to allow correct airflow.

**Clearance table** refer to page 8

A	B	C	D	E
250	550	300	170	200

Please note that a standard glass hearth already fits all the clearances of all Euro Fireplaces free standing heaters.

Firebox Type	Pellet Heater
Dimensions (mm)	H1001 W557 D495
Weight	95kg
Output Range	2.4 - 8.3kW
Heating capacity	100 sm
Efficiency AUS/EU	- / 90%
Pellet Consumption	-
Finish	Steel
Colours	Black
Flue Size/Outlet/Length	80mm/Top/4m
External Air Supply	Yes, 60mm
Tankage	17kg
Clearance - Back/Side/Corner Type	250mm/550mm/170mm
Heat Bank	N/A
Emissions	0.2 gram/kg
Warranty	2 Years Manufacturers +2 Year Euro Fireplaces



# FREQUENTLY ASKED QUESTIONS

## Why is there no fan?

The heaters work by natural convection; cold air is drawn into the heater through channels on both sides. As the cold air is heated, warm air is vented from the top of the heater, creating a gentle circulation throughout the house. As warm air cools it returns to the heater, and within a short time the returning air will get warmer and warmer, allowing the heater to operate with less fuel.

Ideally this cycle should not be broken by losing warm air through ceiling vents and cold air being able to enter the house via gaps under doors.

On top of natural convection our heaters also produce radiant heat. This heat is often called the “healthy heat”, similar to Sun heat where 18 degrees seems more like 23 degrees. The more heatbank you have in your fireplace, the more radiant heat will be produced. In the past, fan forced radiant heaters were necessary to cope with leaky houses. Now that we are adding insulation to existing homes, and building new homes with fantastic insulation, natural convection is the most efficient wood heating system.

## How much less wood can I expect to use?

With correct operation and wood size, you should be using around 60% less wood when compared to a traditional fan forced wood heater. This is due to many elements of the design, including the use of natural convection, vermiculite linings, primary and secondary air inlets and Heatbank technology.

## What is the right size wood?

Length: 300mm for a standard Euro Fireplace to around 500mm for larger fireboxes (the Milano line requires a shorter log of 250mm). Thickness: The diameter is important as smaller logs with the correct air setting will burn hotter, cleaner, and longer. To get the best out of your heater, use logs that are 100-120mm in diameter.

Bigger logs need more primary air to combust which is counterproductive as this would result in heat being lost through the flue. Well seasoned wood is important as green wood will not produce heat, and will release corrosive fumes into the firebox. Red gum should be seasoned for at least 2 years.

## How much flue is needed?

Due to the high efficiency of a Euro Fireplace, our heaters in general require 4m from the top of the heater.

## Where are the heaters made?

Euro Fireplaces are made by leading German and Austrian heater manufacturers Thorma and Haas+Sohn, both established over 100 years ago. In Australia the heaters are sold under the Euro Fireplaces umbrella standing for high quality, high efficiency and low emissions.

The factories for these Manufacturers are in Slovakia and Czech Republic, Germany and Austria.

## What is the warranty?

Euro Fireplaces have a standard European manufacturers warranty of 2 years. This is extended by Euro Fireplaces with an extra 2 years of conditional warranty. With correct operation and installation very little can go wrong with these heaters.

## Do Euro Fireplaces heaters work for every house?

In general yes, however if you have a less insulated leaky house, the heater will need more energy (firewood) than it would with better insulation, but still less than a conventional fan forced heater. For non-insulated spaces (sheds and/or alfresco areas), a radiant or fan forced heater may be more effective.

## What is Heatbank?

Heatbank is a dense material that stores thermal energy (heat) and releases it slowly, even after the heat source (fire) is no longer producing heat. Heatbank can be added to most Euro Fireplaces in the form of refractory concrete or Magnesite, sitting between the inner and outer wall of the heater, or it can be in the form of naturally heat absorbing soapstone or sandstone, or ceramic tiles.

More heatbank will result in longer burn times, more radiant heat as well as even lower wood usage.

## Does the flue and installation differ to traditional wood heaters?

The flue and installation is standard Australian. Euro fireplaces prefer a single heat shield instead of a perforated second flue. The single heat shield is designed to reflect heat from the flue back into the room instead of channeling heat into the ceiling via a perforated flue. The only difference between installing a Euro Fireplace and any other fireplace, is the length of the flue (4m for a Euro vs 3.6m for another brand).

### **Do they burn overnight?**

Yes. But not in the way that most people are familiar with. Shutting the heater down for long periods of time, blackening the glass and building up creosote in the flue, is not only dangerous, it is also no longer an acceptable practice as it severely increases emissions. Most Euro Fireplaces can retain coals between 6 to 8 hours depending on the heatbank of the particular model.

The correct overnight air setting is important. Depending on density and the size of the log, more or less air is required. The right air setting allows the heater to just have enough airflow to keep the log gently burning for many hours, at the same time retaining a clean glass. Heatbank will help this process, as not only is the stored heat slowly released over a long period of time, but the heatbank also protects the firebox keeping coals hot for longer.

### **Does the glass stay clean?**

With correct operation the glass should always stay clean. A continuously dirty glass indicates a problem either with installation, firewood quality/size, or operation (please note, the glass will get dusty on the inside but should not turn black or brown).

### **What is Vermiculite?**

Vermiculite is a naturally occurring, heat reflective mineral that is compressed into panels, which are used in place of firebricks.

It insulates and protects the metal firebox from the heat created by the fire, and the baffle (top plate) stops heat being lost through the flue.

The Vermiculite lining in the combustion chamber also reflects the heat produced by burning wood back into the fire, bringing the firebox temperature to drastically higher levels, allowing for highly efficient combustion and very clean burning.

Because the firebox is fully lined with Vermiculite, the radiant heat through the glass door is very strong and can be felt within minutes of lighting the fire. This push of heat onto the glass (combined with good burning practices and the secondary air inlet) contributes to the glass staying clean.

### **What is the steel thickness of the heaters?**

Depending on the section of the heater, the steel thickness varies from 4mm upwards. The thickness of the steel is optimized for use with vermiculite to ensure a quick heat release after starting the fire. Thicker steel or cast iron does result in slower and less efficient transfer of heat from the firebox to the air.

### **Who can install the heaters?**

The requirements vary from state to state so if in doubt, contact your states building authority. For the most part, any plumber who holds a mechanical services license for solid fuel heaters, or licensed flue installer, can install a Euro fireplace. Be sure to ask your installer for a certificate of compliance for the installation (you will need this for your extended warranty and for insurance purposes).





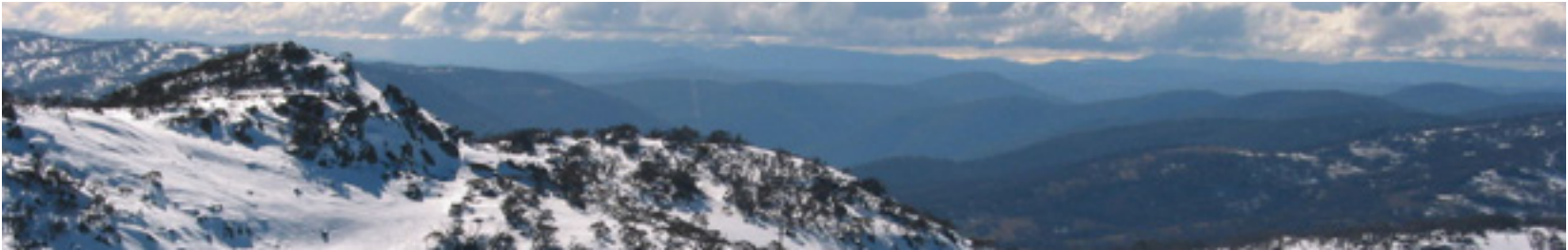
Product Name	Milano	Falun	Kiruna	Wiesbaden	Cremona	Falun Ceramic	Landshut	Andorra
Dimensions H/W/D (mm)	890/380/360	1040/550/390	1050/546/355	1029/510/355	1053/506/355	1034/628/386	1046/780/371	1147/510/416
Weight (Kg)	70	105	85	110	100	136	137	110
Output Range (Kw)	2.5 - 7.5	4 - 12	4 - 12	4 - 12	4 - 12	4 - 12	4 - 12	4 - 12
Heating Capacity (sqm)	100 - 140	170 - 240	170 - 240	170 - 240	170 - 240	170 - 240	170 - 240	170 - 240
Efficiency AUS / EU	64% / 79%	72% / 82%	72% / 82%	72% / 79%	73% / 82%	73% / 82%	73% / 82%	67% / 82%
Fuel Consumption (kg/hr)	1.3	1.8	1.8	1.8	1.8	1.8	1.8	1.8
Finish	Steel	Steel	Steel	Steel	Ceramic Tile	Ceramic Tile	Ceramic Tile	Steel
Flue Size / Outlet / Length	125/Rear/4m	145/Top/4m	145/Top/4m	145/Top/4m	145/Top/4m	145/Top/4m	145/Top/4m	145/Top/4m
External Air Supply	No	Yes, 100mm	Yes, 100mm	Yes, 100mm	Yes, 100mm	Yes, 100mm	Yes, 100mm	Yes, 100mm
Log Size (mm)	250	330	330	330	330	330	330	330
Additional Heat Bank (Kg)	No	10	No	No	No	10	No	20
Emissions (gram/Kg)	1.4	1.3	1.3	1.5	1.5	1.3	1.5	0.8





Andorra Exclusive	Cadiz Serpentino	Atika	Olbia	Uppsala	Buller	Ribe	Palazza II
1090/538/538	1481/575/494	1468/538/460	1153/545/545	1209/662/513	830/770/465	835/610/390	1001/557/495
110	183	148+(40HB)	148+(52HB)	309	122	75	95
4 - 12	4 - 12	4 - 12	5 - 14	5 - 14	6 - 17	4 - 12	2.4 - 8.3
170 - 240	170 - 240	170 - 240	190 - 280	190 - 280	200 - 280	170 - 240	100
67% / 82%	67% / 81%	67% / 81%	70% / 81%	70 / 81%	61% / 78%	73% / 82%	- / 90%
1.8	2	2	2	2	2	1.8	-
Steel	Soapstone	Ceramic Tile	Steel	Soapstone	Steel	Insert	Steel
145/Top/4m	145/Top/4m	145/Top/4m	145/Top/4m	145/Top/4m	145/Top/4m	145/Top/4m	80/Top/4m
Yes, 100mm	Yes, 100mm	Yes, 100mm	Yes, 100mm	No	Yes, 100mm	Yes, 100mm	Yes, 60mm
330	330	330	330	330	450	330	-
20	20	40, Pre-fitted	52, Pre-fitted	No	No	No	No
0.8	0.8	0.8	0.6	0.6	1.4	0.4	0.2





## EURO FIREPLACES

### **Euro Fireplaces, Mansfield**

165 Mt. Buller Rd, Mansfield, VIC 3722  
1300 733 705 – 03 5779 1988  
info@eurofireplaces.com.au

### **Euro Fireplaces, Yarra Valley**

119 Beresford Rd, Lilydale, VIC 3140  
1300 733 705 – 03 9739 4682

### **Euro Fireplaces, Adelaide**

Shop 5, Bell Tower Centre  
340 South Road, Richmond, SA 5033  
08 8234 9783 - info@eurofireplacesadelaide.com.au

## VICTORIA

### **The Outdoor Furniture Company, Melbourne**

670 Whitehorse Rd, Mitcham, VIC 3132  
(03)9872 5555 – sales@outdoorfurnituresuperstore.com.au

### **Southside Heating Centre, Melbourne**

Unit 21/658 South Rd, Moorabbin, VIC 3189  
(03) 9532 6199 – ssideheatcentre@gmail.com

### **GV WeatherMaster, Shepparton**

70 Benalla Rd, Shepparton ,VIC 3630  
(03) 5821 3656 - sales@gvweathermaster.com.au

### **Karingal Flooring Xtra, Ballarat**

815 Creswick Road, Wendouree, VIC 3355  
(03) 5338 2770 - karingal@flooringxtra.com.au

### **Oz Air & Electrical**

Unit 9 44 Sparks Ave, Fairfield, VIC 3078  
1300 069 247 – heating@ozairandelectrical.com.au

## AUSTRALIAN CAPITAL TERRITORY

### **Fyshwick Home & Heating, Canberra**

88 Wollongong St, Fishwick, ACT 2609  
(02) 6280 5522 – info@homeheating.com.au

## NEW SOUTH WALES

### **Sydney Heaters and Pizza Ovens, Sydney**

151 Briens Rd, Northmead, NSW 2152  
1300 938 346 – sales@sydneyheaters.com.au

### **Great Outdoors Centre, Albury**

415 Wagga Rd, Lavington, NSW 2641  
(02) 6040 8546 – tgo@tpg.com.au

### **Wagga Wagga BBQs Galore**

1/368 Edward St, Wagga Wagga, NSW 2650  
(02) 6925 1186 – bbqwagga@ozemail.com.au

### **Quinlans Heating, Newcastle**

122 Belford St, Broadmeadow, NSW 2292  
(02) 4969 6786 – sales@quinlans.com.au

### **Highland Fires & Restorations, Mittagong**

Unit 2 Cavendish Centre, Mittagong, NSW 2575  
(02) 4872 2234 – sales@highlandfires.com.au

### **Sydney Home Energy Solutions, Sydney**

Unit 13, 2187 Castlereagh Road, Penrith, NSW 2750  
(02) 4721 4405 – sales@heatingncooling.com.au

### **Dixonline Classic Fireplaces, Wollongong**

2/30 Shaban Street, Albion Park Rail, NSW 2527  
(02) 4257 5493 – dixonline@bigpond.com

### **Heatworks Bega**

Product display by appointment.  
(02) 6494 0030 – info@heatyourhome.com.au

### **Univenta, Bathurst**

129 Sydney Road, Kelso NSW 2795  
02 6324 5703 - www.univenta.com.au

## QUEENSLAND

### **Aussie BBQ and Fireplaces, Brisbane**

10/210 Queens Rd North, Murrarie, QLD 4172  
(07) 3890 4343 – info@aussiebbqs.com.au

### **Toowoomba BBQs Galore**

5/665 Ruthven St, South Toowoomba, QLD 4350  
(07) 4638 4211 – stephen@bbqtwba.com

### **Gold Coast Fireplace & BBQ's Super Centre**

4 Bundall Rd, Bundall, QLD 4217  
(07) 5531 6266 – sales@gcfire.com.au

## TASMANIA

### **Hobart Complete Heating**

Unit 1, 40 Patriarch Drive, Huntingfield, TAS 7055  
(03) 6239 3505 – completeheatingkingston@gmail.com

### **East Tamar Maintenance Services, Bell Bay**

Lot 1 Temco Rd. Bell Bay TAS 7253  
(03) 6382 2400 – office@etmtas.com.au

### **Rob Hammond Heating**

62 Walter Street Bridgeport TAS 7262  
0407 008 093 - robhammond2@bigpond.com

### **Pellet Fires (NW) Tasmania**

31a Victoria Street, Ulverstone TAS 7315  
03 6425 4440 - ulverstone@pftas.com.au

## SOUTH AUSTRALIA

### **Euro Fireplaces, Adelaide**

Shop 5, Bell Tower Centre  
340 South Road, Richmond, SA 5033  
(08) 8234 9783 - info@eurofireplacesadelaide.com.au

