

Maintenance free living

Colorbond®



BLUESCOPE
STEEL

CLADCOVER
Home Improvement Solutions



BENEFITS

- Termite proof
- Insulates
- Won't crack, peel or go brittle
- Adds value
- Natural weatherboard appearance
- Never needs painting
- Twice the strength of iron roofing
- 20 colours to choose from



FREE CALL 1800 648 845

WWW.CLADCOVER.COM.AU

CLADCOVER
Home Improvement Solutions

How Clad Cover can help

Contract price:

To be paid as follows Cash / Finance

Price: \$ _____

Deposit \$ _____ On signing acceptance

Delivery payment \$ _____ Due on delivery of materials

Completion payment \$ _____ Due on completion of works

Colour: _____ **Board type:** _____

Construction

Weatherboard Fibro Cement Other: _____

CLAD COVER

PO Box 408
Wendouree, Victoria 3355

Call 1800 648 845
info@cladcover.com.au
www.facebook.com/cladcover
www.cladcover.com.au
ABN 26 812 658 934





Who is Clad Cover?

Experience and reliability

With over 30 years commercial and residential building experience, the Clad Cover team are literally chomping at the bit to get your business and deliver a standard of service that has won them the respect of major builders and contractors in Victoria.

Your home and cladding project couldn't be in safer hands.

It's a family business

Rowyn Samuels

Owner & Project Manager

Rowyn started his career as a carpenter with prestige home builders in rural Victoria. In the near 20 years since, he has honed his craft for delivering first class projects for clients, and is keen to bring his A grade skills to your cladding project.

John-Mark Samuels

Project Manager

John-Mark is a well rounded

tradesman who, having started his career with a niche Ballarat builder, is looking forward to giving you a level of quality and professionalism that exceeds expectation.

Kathy Samuels

Accounts

Kathy brings nearly 15 years of customer service and business administration skills to the Clad Cover team. She is very well respected for her ability to liaise with various stakeholders.

Luke Samuels

Marketing & Customer Service

Luke prides himself on his ability to listen and meet your needs. He is a great communicator and is always happy to take your call.



CLADDING WITH QUALITY

Colorbond®





Why Cladding?

Re-Cladding your home is easier than you think and now we can save you money too with our back-to-basics pricing.

We have an honest, up-front approach that offers you genuine savings on the best weatherboard cladding on the market.

We **deliver straight to site** from the manufacturer and without any fuss install and clean up the site for you.

It's simple...

Once you have accepted our rock bottom price a detailed 'measure-up' of your home will be organised. This is where we can save you money. **All boards are measured and made to exact lengths** (with a few exceptions). This means we

aren't wasting materials, keeping costs down and therefore saving you money.

It's fast...

Our highly skilled installers can have your home looking like brand new in as **little as a week***(in some cases less). Because of our unique system of installation we make re-cladding your home look easy.

It's the smart choice...

Millions of people are making Colorbond Steel products their number one choice in many building applications. From fences to roofs even fridges to the humble garbage bin are now been coated with proven weather defying Colorbond. Now you have the chance to **insulate and protect**

your home from cracking, warping, peeling and the constant painting of traditional methods.

*Conditions apply including size of the house, weather and any unforeseen events

“ Experience the world of maintenance free living today”



Testimonials

To Whom It May Concern:

Rowyn Samuels and John-Mark Samuels have been fitting Durasteel [weatherboards] to homes for us for the last 2 years.

I have found them to be conscientious, sincere, and punctual at jobs.

I have been manufacturing and promoting Durasteel for over 40 years, and found Rowyn and John to be among the best for quality workmanship.

I would have no hesitation in recommending their workmanship.

Brian Jones

Managing Director | Durasteel

Hey guys,

Just wanted to say thanks for the great work you have done. I really appreciated your prompt service and professionalism. My wife still talks about how great it looks. It's good to see that there are still honest tradespeople out there. You have given to us something that will last us a lifetime and we were very happy with the price you gave us. We were extremely happy that you stuck to the original quote.

I was very surprised to come home from work at the end of the week and you guys were already finished and you had cleaned all sign of you ever been here.

Kind regards

Michael

Ballarat

“ My wife still talks about how great it looks ”



Product Strength

Weatherboard panel is an attractive durable system of interlocking panels incorporating completely concealed fixings, plus a versatile range of accessory trims. It is admirably suited to a wide range of uses including infill panels, wall claddings, screens and fences. Weatherboard panel may be fixed horizontally or vertically in internal or external locations.

Material and finish

Weatherboard Panel is available in a new light weight high strength zinc coated steel or in proven Colorbond® finish.

Cover and span

Each panel covers 260mm in continuous lengths. Maximum recommended span is 600mm. Lengths of up to 10m can be done. NOTE- Tolerance for length is ± 5mm

Accessories

It is best that flashings are measured to order for each job to ensure a neat fit. Maximum length of flashings is 3.6 metres in

standard colours of Colorbond®. All other colours are available price based on volume.

Life long performance

Colorbond® has a life expectancy of beyond 50 years. Over a long period of research Colorbond® performance and weatherability, flexibility, adhesion, toughness, and appearance, has been raised to the highest standards in severe

testing of modern production techniques. In Australia alone, production of Colorbond® exceeds well in excess of 2.5 million tonnes per year. In extensive accelerated tests over 20 years, Colorbond® lasts up to four times longer than the traditional galvanised steel of the same thickness in identical exposure environments. Colorbond® is manufactured by BHP, the largest company in Australia.

Weatherboard Panel		
Thermal expansion	2mm Average per 8 metre at 60°C change	
Combustibility	A.S. 30 of 1970	
Ignitability	0	
Heat evolved	0	
Smoke evolved	2 or less	
Weather resistance	Excellent	
Stain and Corrosion resistance	Excellent	
Tensile Strength	G550	
Coating Class	AZ150(150g/m ²)	
Tolerance	Sheet Length ±5mm	
Thickness	BMT 4.2	TCT 4.7
BMT= Base Material Thickness TCT= Total Coated Thickness		



Hi-Tech production

When it comes to your home, Colorbond® steel is one of the most advanced in the world. Colorbond® steel is designed for your individual applications. Beneath the painted surface finish, world leading technology is hard at work delivering long life and superior anti-corrosion performance. The secret is a four-stage production process.

1. First a Zinalume® steel base. This ensures outstanding anti-corrosion performance.
2. Next, a conversion layer is chemically applied to enhance coating adhesion.
3. Then an epoxy primer is baked onto the surface.
4. And finally, a durable exterior grade top-coat is baked on.

Smart looks and smart thinking that guarantee Colorbond steel will deliver high-performance beauty for years to come.



Thermal efficiency

Cool in summer, warm in winter- Colorbond® steel is the thermal efficient choice. In summer a light-weight Colorbond steel causes less heat to be radiated into your home as it cools down faster at night. And in winter the same steel home, properly insulated, helps keep the heat inside.

Whatever the climate, whatever the weather, Colorbond® steel is the energy smart choice through reduced cooling and heating costs.



Warranty

A Colorbond® steel does more than promise performance- it guarantees it. BHP offers a warranty* of up to 25 years from the date of installation against perforation by weathering in the natural elements.



Durability / Security

Durable and strong, Colorbond® steel works hard to protect your home- its built tough and designed smart to withstand harsh Australian conditions.

Its superior oven-baked finish ensures it stands the test of time, and the extremes of the Australian climate.

Securely fixed in long continuous sheets, Colorbond® steel is weather tight. This means no gaps - and no leaks - even in torrential rain. It resists chipping, peeling and cracking. And because it's steel, it's a tough barrier for wind hail, falling branches and flying debris.

Colorbond® steel's durable construction also makes it non-combustible, and termite resistant.

Come rain, hail or shine- you can depend on Colorbond® steel to keep on protecting your home.



Design flexibility

A product of intensive research and design, Colorbond® is of the most versatile products available. Australia's leading architects attest to its virtually limitless design possibilities, using it for everything from award-winning modern

homes to faithful renovations of heritage style homes. Its light weight and provides maximum flexibility in locating interior walls and floor plan design. And its extensive range of colours and profiles ensures truly individual solutions for your home.

It's also easy to erect, and gives long life and low maintenance.

Fixing is surprisingly fast, keeping labour costs to a minimum. You'll have snug fitting, super-strong walls in next to no time.

In short, a home made from Colorbond® steel is priced competitive, fast to install and delivers the ultimate in design freedom. Now that's smart.



Colour choice

Colorbond® steels contemporary range of colours offers a myriad of solutions for simply beautiful homes. With a choice of 20 colours, from the subtle to the dramatic, there's a colour to suit any home and any environment.

There are soft hues evoking Australian landscape such as Pale Eucalypt, Dune and Bushland; traditional heritage tones like Cottage green and Manor Red; or cool colours such as Surfmist, Shale Grey and Blue Ridge.

From the outback, to the coast and the heart of the city, Colorbond® steel provides truly living colour for the way we live today.

*Warranty is subject to terms and conditions. When installed to manufacturers specifications.

Installation

Fixing of steel weatherboards

1. A level line is determined.
2. 2"x1" pine battens are nailed through existing weatherboards or fibro into stud framework. We can use this as an opportunity to straighten walls where necessary
3. Steel starter can now be fixed to battens and first board is pushed up to catch starter (to maintain rigidity) and fixed with specially designed clips.
4. The next board is then pushed up and so on and before long the wall is nearing completion. Cut outs for windows are to be made good on site.
5. Trims are applied and job is done.

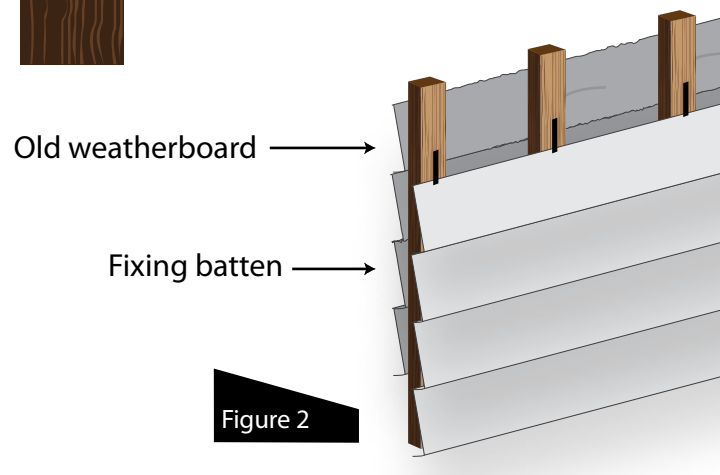
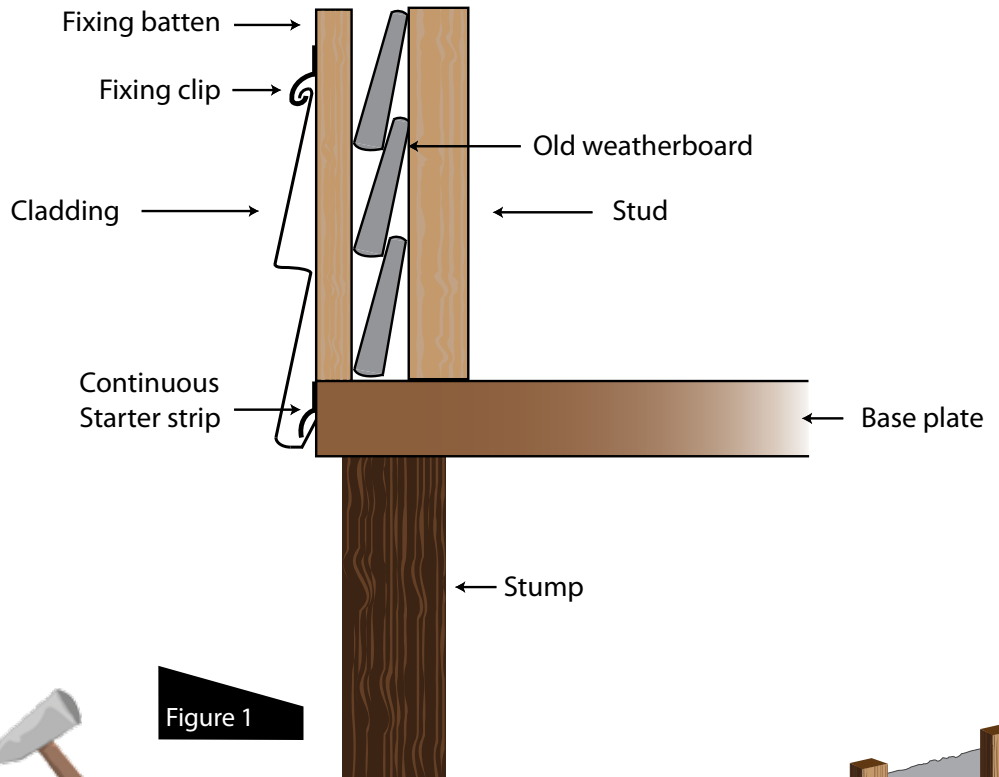
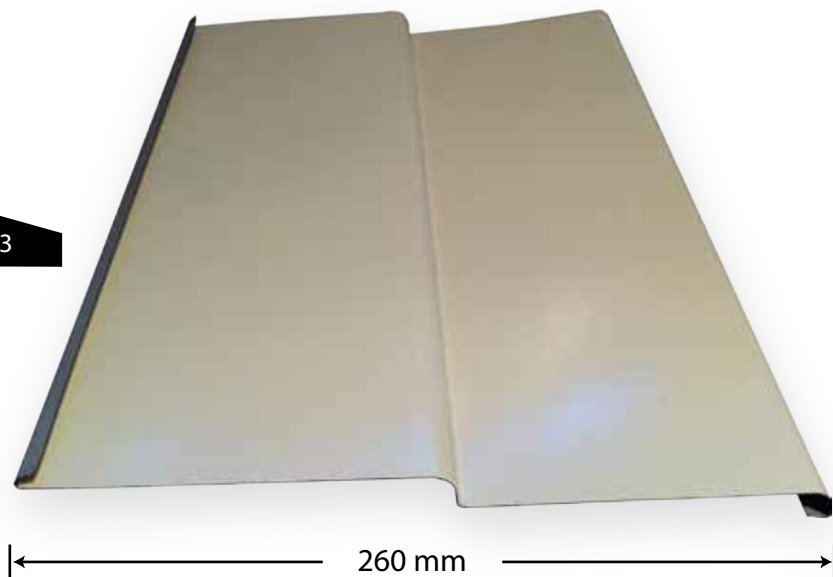


Figure 3

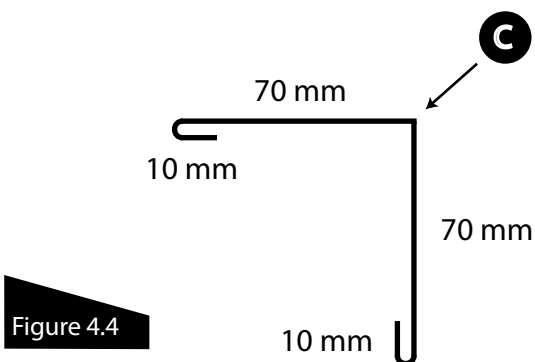
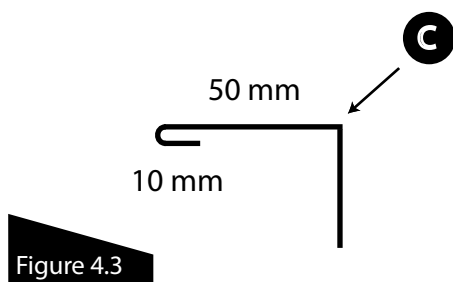
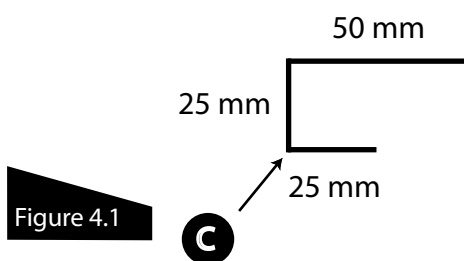
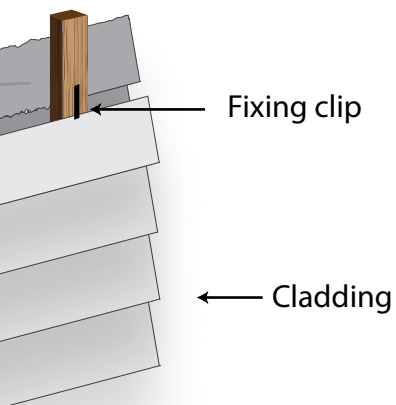


Index

Figure 1	Install (side view)
Figure 2	Install (front view)
Figure 3	Steel weatherboard
Figure 4.1	J-trim
Figure 4.2	Starter
Figure 4.3	Side window flashing
Figure 4.4	External corner mould

“ the guys who run the business, install the product”

EXTRAS / ACCESSORIES



Before & Afters'



The home pictured above was in desperate need of steel cladding. Once the new weatherboards were installed, along with new Colorbond roof and fascia and gutter, the clients home looked amazing (see picture right).



ADD VALUE...



MAINTENANCE FREE...



Cladding ensured the Church, picture above and on left, preserved its look and rich history for many years to come.



The spacious home, pictured above and right, needed a maintenance free solution which insulated their home from the heat and cool. Steel weatherboards were installed, along with new fascia.

INSULATE...



Cladding is a great way to give your home a new lease of life. The home picture above and on right, almost looked brand new after steel weatherboards were installed. And all without a lick of paint! The



NEVER PAINT AGAIN...



Your Colour Chart

DESIGNER COLOURS

Surfmist	Evening Haze	Shale Grey	Classic Cream	Dune
----------	--------------	------------	---------------	------

FULL COLOUR CHART

Surfmist	Evening Haze	Shale Grey	Classic Cream	Dune
Windspray	Pale Eucalypt	Sandbank	Paperbark	Bushland
Ironstone	Wilderness	Jasper	Headland	Woodland Grey
Deep Ocean	Cottage Green	Loft	Manor Red	Monument

Colorbond steel colours shown on this page have been reproduced to represent actual product colours as accurately as possible. However, we recommend checking against an actual sample of the product before purchasing as limitations of web palette colours may affect colour tones.

Colorbond steel is a registered trade mark of BlueScope Steel Limited.