



HONGKONG ZEDU GROUP LIMITED

Shenzhen Zedu Lighting Technology Co., Ltd.

Add: 3rd Floor, Block A, Jingui Building, Puti Road, Futian District, Shenzhen, China.

Tel: +86-755-862-33-970

Fax: +86-755-251-66-880

LED Down Light Specification



Model No: ZD-DN40





HONGKONG ZEDU GROUP LIMITED

Shenzhen Zedu Lighting Technology Co., Ltd.

Add: 3rd Floor, Block A, Jingui Building, Puti Road, Futian District, Shenzhen, China.

Tel: +86-755-862-33-970

Fax: +86-755-251-66-880

Product Description

Introduction:

LED down Light embedded within the light-beam ceiling is a directional lighting fixture, Zedu down light including 3inch, 4inch, 6inch & 8inch, 5W-40W, maintaining the overall architectural unity and perfect, the setting does not destroy the lamps, the light source hidden inside decoration, light is not exposed, no glare, the human visual effects gentle, evenly.

LED down light is consumption is only 1/10 of incandescent light, energy saving lamp 1/4; not contain harmful substances such as mercury, pollution-free environment; Zedu LED Down lights adopt qualified die-casting aluminum and rotary aluminum housing, good heat dissipation, light weight.

Features:

- ◆ Great on heat dissipation and heat conduction.
- ◆ High light efficiency, low lumens depreciation.
- ◆ Energy saving more than 70% , lifespan is 10 times as long as normal lamp.
- ◆ Evenness soft light, no flicker, no glare, no dark field.
- ◆ Green product, no UV radiation, no harmful element, no infrared radiation.

Application: Offices, Hotels, Public Buildings, Conference Rooms, Factories, Hospitals, Schools, Homes, etc.



HONGKONG ZEDU GROUP LIMITED

Shenzhen Zedu Lighting Technology Co., Ltd.

Add: 3rd Floor, Block A, Jingui Building, Puti Road, Futian District, Shenzhen, China.

Tel: +86-755-862-33-970

Fax: +86-755-251-66-880

Technical Parameter

Rated Power (W)	37-40
Input Voltage (V, FRQ: 47-63Hz)	100 - 240
Output Voltage (V)	27 - 35
Output Current (A)	1.05±5%
Power Efficiency (%)	>87
Power Factor	>0.95
Light Source	LumenMax/LG
LED Efficiency (LM/W)	>56LM/0.5W
Color	WW, NW, CW
Color Temperature (K)	2700 - 7200
LED Qty (PCS)	100
Lumens (LM)	3000 - 3300
Lamp Efficiency (LM/W)	>75
Color Rendering Index	WW>80, CW>75
Beam Angle (° deg)	>130°
Junction Temperature (°C)	60°C±5%
Operating Temperature (°C)	-20 -- +50
Life Span (H)	>50000
Luminous Uniformity	>0.4
IP Rate	IP52
Main Material	Alloy
Net Weight (KG)	1.0
Warranty	3 Years



HONGKONG ZEDU GROUP LIMITED

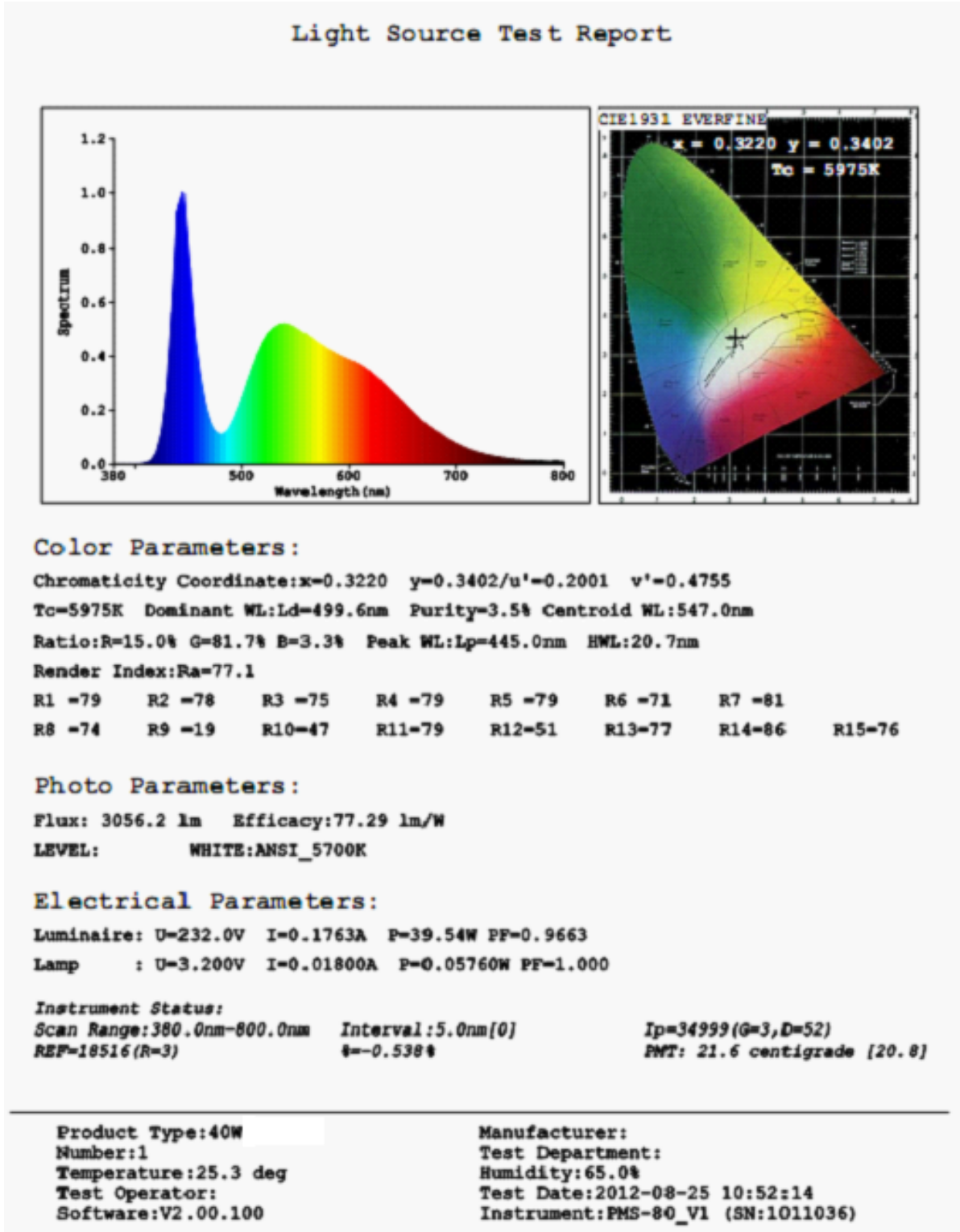
Shenzhen Zedu Lighting Technology Co., Ltd.

Add: 3rd Floor, Block A, Jingui Building, Puti Road, Futian District, Shenzhen, China.

Tel: +86-755-862-33-970

Fax: +86-755-251-66-880

photoelectric parameter:





HONGKONG ZEDU GROUP LIMITED

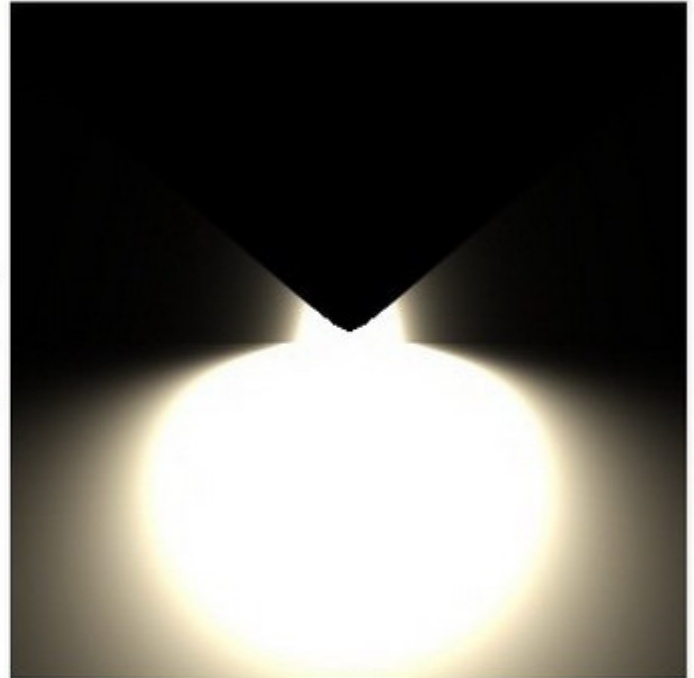
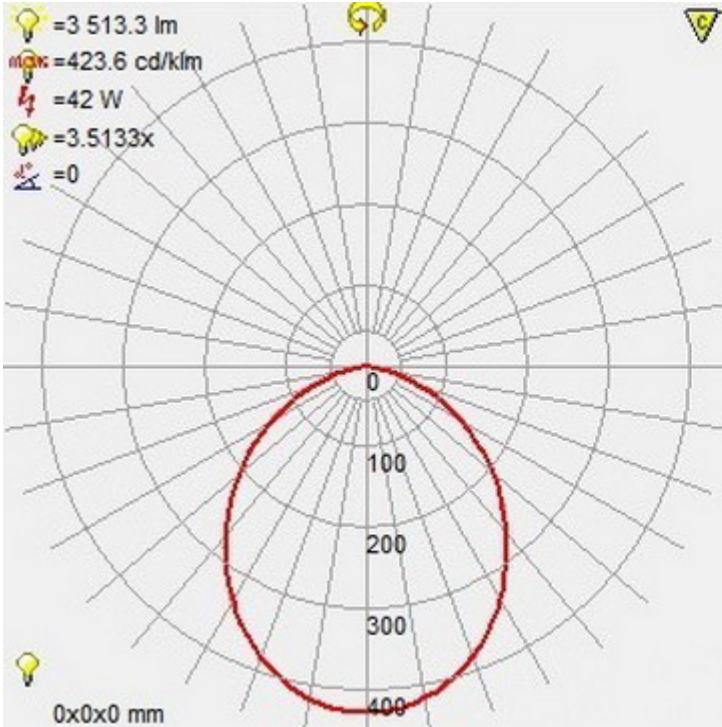
Shenzhen Zedu Lighting Technology Co., Ltd.

Add: 3rd Floor, Block A, Jingui Building, Puti Road, Futian District, Shenzhen, China.

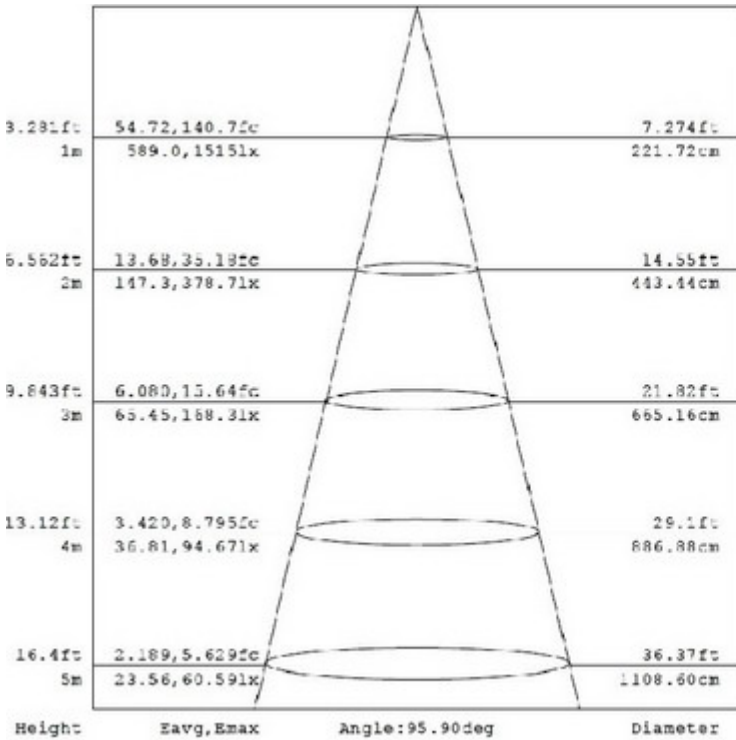
Tel: +86-755-862-33-970

Fax: +86-755-251-66-880

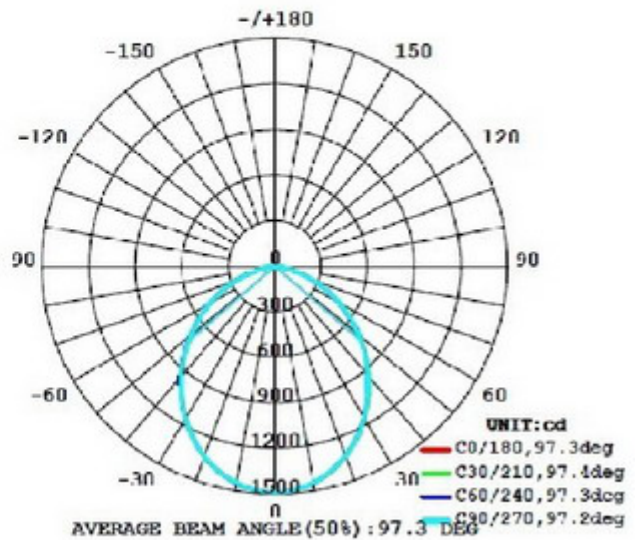
Photoelectric Parameter With IES:



Lamp Flux and Distribution Diagram:



LUMINOUS INTENSITY DISTRIBUTION DIAGRAM





HONGKONG ZEDU GROUP LIMITED


Shenzhen Zedu Lighting Technology Co., Ltd.

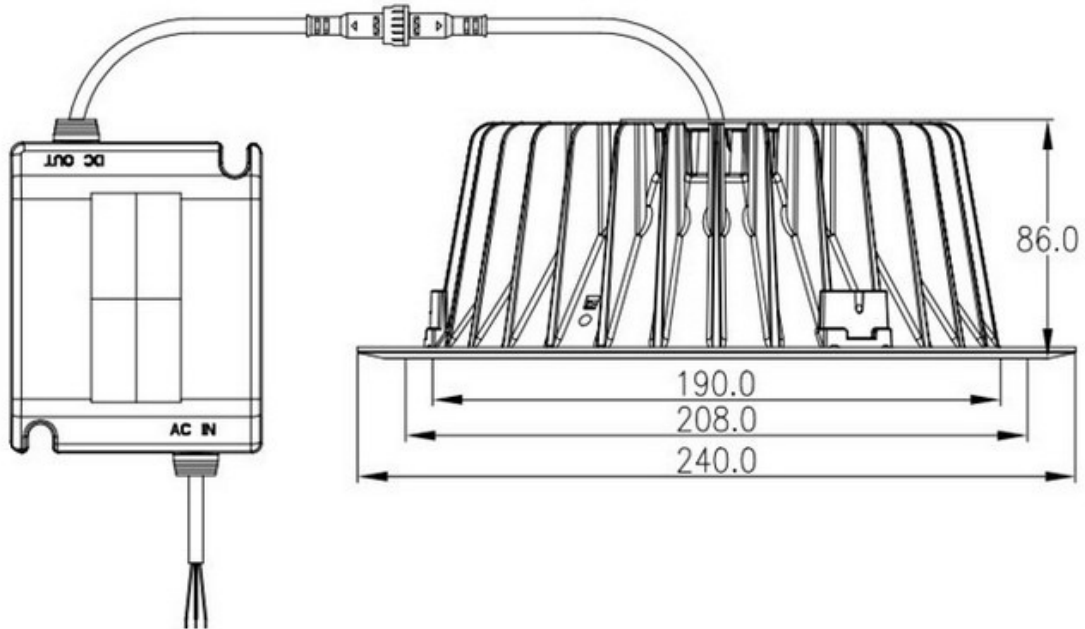
Add: 3rd Floor, Block A, Jingui Building, Puti Road, Futian District, Shenzhen, China.

Tel: +86-755-862-33-970

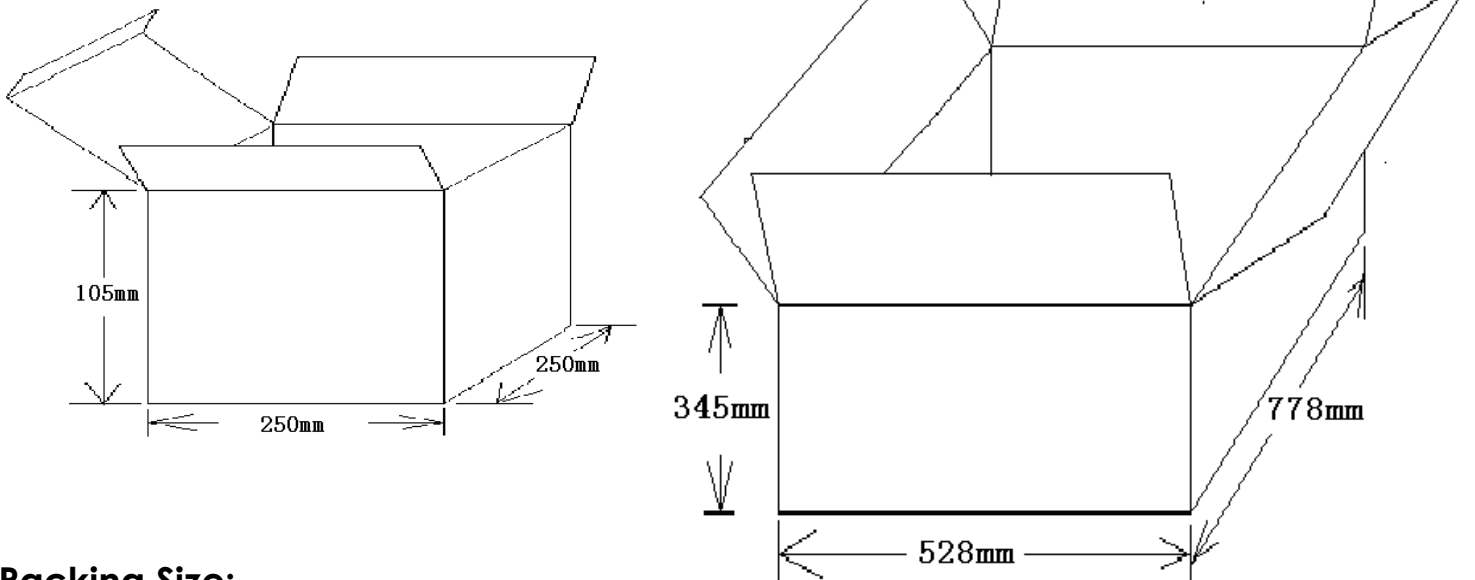
Fax: +86-755-251-66-880

Product Dimension:

 : 208mm(Cut Out Size)



Package:



Packing Size:

Inner Box: 250*250*105mm (1pcs/box) Net Weight: 1.0KG Gross Weight: 1.2KG

Carton: 778*528*345mm (18pcs/carton) Net Weight: 19KG Gross Weight: 22 KG



HONGKONG ZEDU GROUP LIMITED

Shenzhen Zedu Lighting Technology Co., Ltd.

Add: 3rd Floor, Block A, Jingui Building, Puti Road, Futian District, Shenzhen, China.

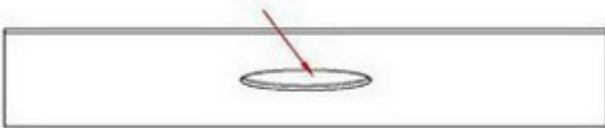
Tel: +86-755-862-33-970

Fax: +86-755-251-66-880

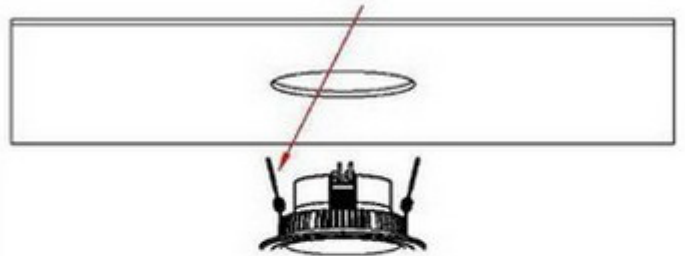
Installation Method:

1. Please read the instruction before installation
2. Make sure you have cut off the electricity supply before installation
3. Please choose the suitable lanterns specification according to your down light, the working voltage must meet the given one.
4. Pay attention to the diameter dimension of the ceiling hole.
5. The input voltage side has three wires, the yellow one is ground wire, the other two are zero line and fire line
6. Please make sure there is no mistake with the wire connection, then push upwards towards the circlip to the bottom of the downlight, press and hold, put it into the opened hole exactly.
7. This product can only be used indoors, can not be waterproof
8. Please make sure the lanterns installation and line link is in a normal way before electricity.

Step 1



Step 2



Step 3



Step 4

