



# Wildcat Pizza Oven

AUSTRALIAS MOST VERSATILE WOOD FIRED OVENS

5 Years Warranty On All Models



3000  
series



6000  
series



5000  
series



9000  
series



8000  
series

Wildcat wood-fired pizza ovens are based on the proven design of today's high performance wood heaters whilst retaining the charm and capabilities of traditional wood fired ovens.

Gourmet pizza, roasts, breads, cakes, scones, fish and much more can all be prepared with a...

**Wildcat Wood Fired Pizza Oven.**

- Wildcat wood fired pizza ovens are portable, highly efficient, easy to light, clean burning and economical.
- 30 minutes is all that's required to heat the oven and it's ready to use.
- Every Wildcat woodfired oven is supplied complete and ready to use, no assembly is necessary.
- Heavy duty Australian Steel construction
- Thick ceramic insulation
- Stainless steel models available
- Designed and Manufactured in Australia

**Wildcat**  
INDUSTRIES (Aust) P/L



35 Marconi Drive, Dandenong, VIC. 3175  
Phone (03) 9794 9956 | Fax (03) 8668 1677  
<http://www.mypizzaoven.com.au>



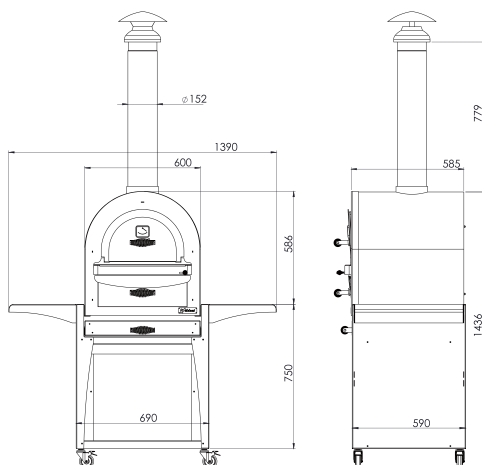
# Wildcat Pizza Oven Dimensions

## Innovative Models

### Features:

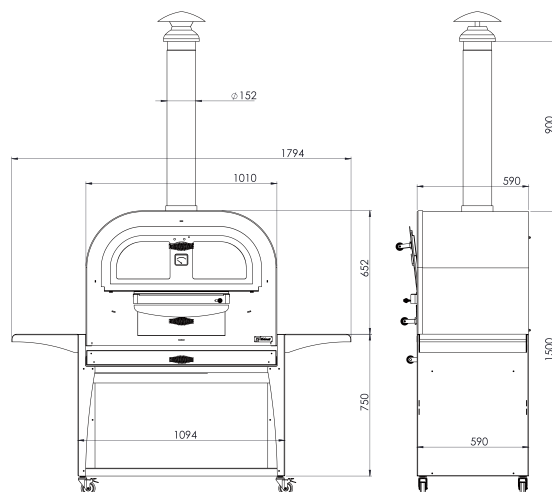
- Full control over smoke / wood flavour / oven temp and air control of the fire box
- Sealed oven
- No ash contamination
- Economical through pre-heated air inlet
- Laboratory thermal tested to A2918

### 6000 series



\* Internal Oven Dimensions (W)410 x (D)500 x (H)250 mm  
Side tables are optional extras

### 8000 series



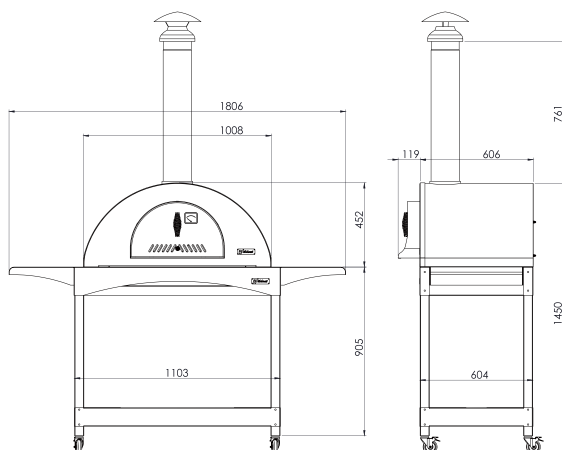
\* Internal Oven Dimensions (W)800 x (D)500 x (H)300 mm  
Side tables are optional extras

## Traditional Models

### Features:

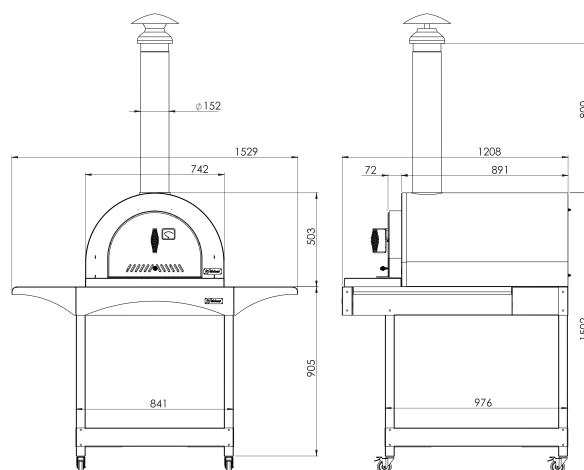
- A removable free standing door with built in air slide control
- Cool to touch handle
- Double layer of ceramic blanket insulation
- Stainless steel firebox
- Finished in brushed stainless steel with black trim
- Traditional cooking with fire inside oven

### 3000 series



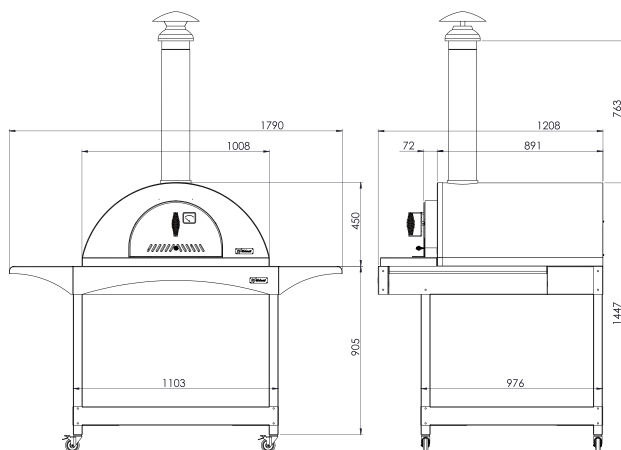
\* Internal Oven Dimensions (W)780 x (D)810 x (H)295 mm  
Side tables are optional extras

### 5000 series



\* Internal Oven Dimensions (W)580 x (D)810 x (H)360 mm  
Side tables are optional extras

### 9000 series



\* Internal Oven Dimensions (W)780 x (D)810 x (H)295 mm  
Side tables are optional extras

## Trolley

### Features:

- 2mm Galv, construction powder coated
- Removable shelves (optional)
- Easy Assembly

### \* Accessories:

Oven cover, wood tray, pizza peel, warming drawer, pizza trays



35 Marconi Drive, Dandenong, VIC. 3175  
Phone (03) 9794 9956 | Fax (03) 8668 1677  
<http://www.mypizzaoven.com.au>

