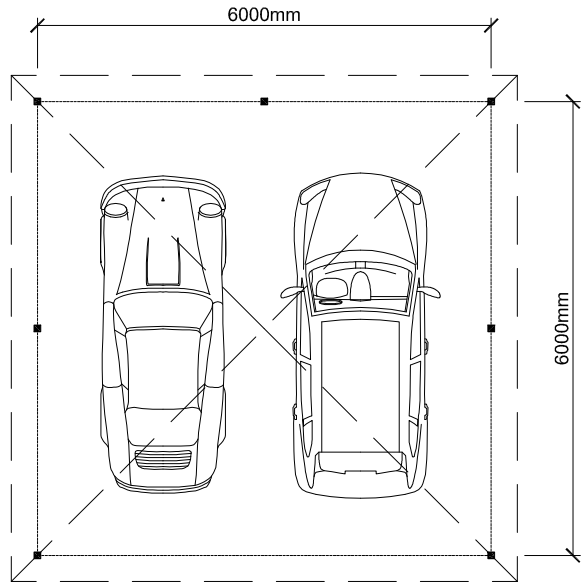
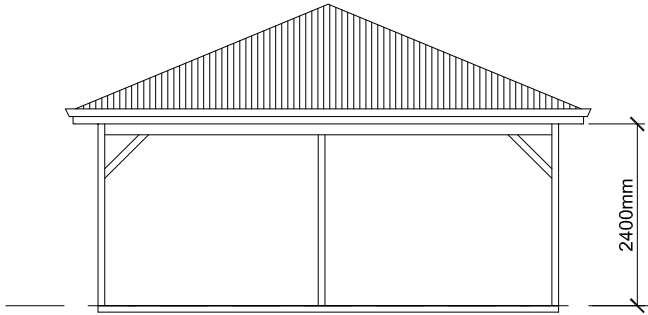


DOUBLE CARPORT (02_0101)



FLOOR PLAN



ELEVATION

DESIGN SKETCH ONLY
CONSTRUCTION DRAWINGS FOR THIS DESIGNS CAN BE DOWNLOADED FROM: www.freebuildingplans.net
Please contact us if you require any changes to our designs. We can also provide individual site plans if required.

STREAMLINE
Drafting & Design.
www.streamlinedesigns.com.au
MOB: 0428 901 871
EMAIL: streamlinedesigns@bigpond.com

FREEBUILDINGPLANS.NET

© COPYRIGHT

DOUBLE CARPORT (MODEL 02_0101)

NOTES

ALL WORKMANSHIP AND MATERIALS SHALL BE IN ACCORDANCE WITH RELEVANT STANDARDS AND BUILDING CODES INCLUDING ALL AMENDMENTS

THESE DRAWINGS MUST BE READ IN CONJUNCTION WITH ENGINEERS DRAWINGS / SPECIFICATIONS IF PROVIDED. ENGINEERS DRAWINGS / SPECIFICATIONS ARE TO TAKE PRECEDENCE OVER THESE DRAWING WHERE CONFLICTING.

FINAL DOWNPIPE LOCATIONS AT ROOF PLUMBERS / BUILDERS DISCRETION.

WALL DIMENSIONS DO NOT INCLUDE PLASTER OR OTHER FINISHES

ALL ELECTRICAL WORK TO BE CARRIED OUT BY A SUITABLY QUALIFIED ELECTRICIAN

ALL DIMENSIONS SHOWN IN MILLIMETERS

BUILDER TO VERIFY ALL DIMENSIONS ON SITE PRIOR TO COMMENCING ANY WORKS

ALL TIMBER TO BE 'MGP 10' TREATED PINE

ALL STEEL FIXINGS AND BRACKETS TO BE GALVANISED.

TOP OF FOOTINGS TO BE 100mm BELOW FFL

LEGEND:

FFL - FINISHED FLOOR LEVEL

CTS - CENTERS (MEASURED CENTER TO CENTER)

CONSTRUCTION OVERVIEW

ROOF: TRADITIONAL TIMBER FRAME AS PER DETAILS

SPECIFICATION

PRINT SELECTIONS

PRODUCT SELECTIONS

ROOF COVER

GUTTER:

© COPYRIGHT LICENCE

THIS LICENCE PERMITS THE HOLDER TO USE THIS DRAWING SET FOR CONSTRUCTION PURPOSES, REPRODUCING AND EDITING THESE DRAWINGS FOR PERSONAL USE IS ALLOWED. THE USE OF THIS DRAWING SET OR ANY PART OF FOR COMMERCIAL USE INCLUDING RESELLING IS STRICTLY PROHIBITED AND WILL CONSTITUTE AN INFRINGEMENT OF COPYRIGHT.

STREAMLINE

Drafting & Design.

www.streamlinedesigns.com.au

MOB: 0428 901 871

EMAIL: streamline@blgpond.com

THESE DRAWINGS ARE NOT TO BE USED FOR CONSTRUCTION PURPOSES UNLESS SIGNED BELOW. THE ACCURACY OF THESE DRAWINGS IS NOT GUARANTEED IT IS THE RESPONSIBILITY OF THE OWNER / BUILDER TO CHECK THAT ALL DETAIL IS SUITABLE FOR THE APPLICATION AND IN COMPLIANCE WITH ALL RELEVANT STANDARDS. STREAMLINE DRAFTING AND DESIGN WILL NOT BE HELD RESPONSIBLE FOR ANY DISCREPANCIES OR ERRORS

OWNER _____ BUILDER _____

DOUBLE CARPORT (MODEL 02_0101)

NOTES AND SPECIFICATION

OWNER:

DRAWN BY: MICHAEL KELLY

JOB NO:

PAGE SIZE: A3

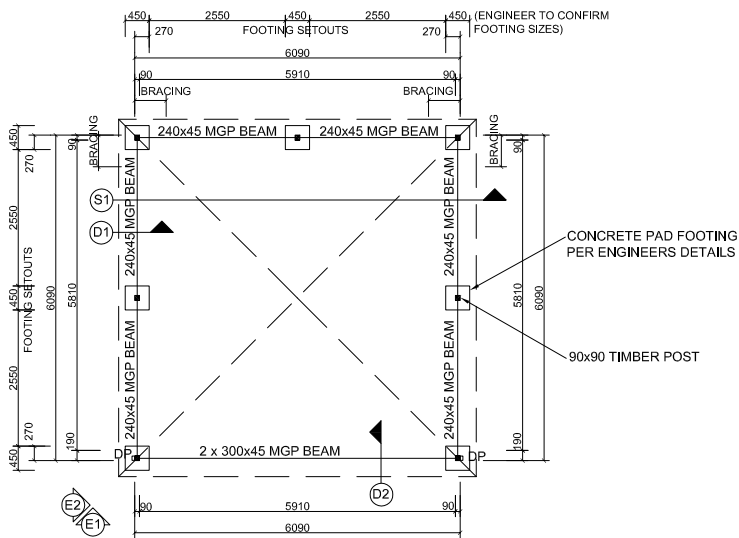
ADDRESS:

DATE:

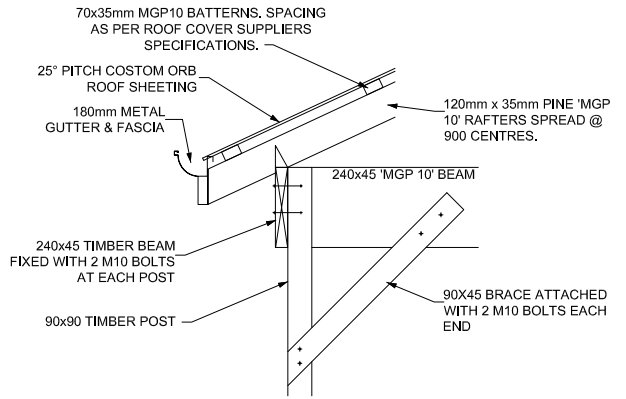
SHEET: 01

SCALE: N/A

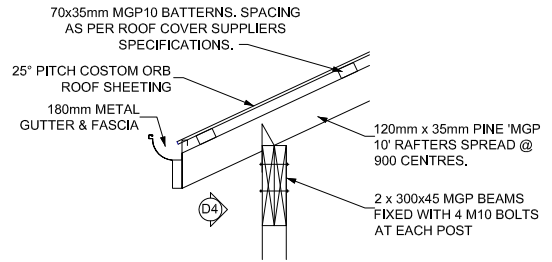
REV: A



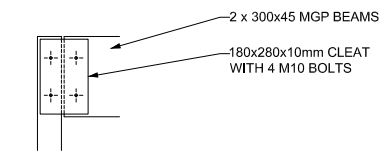
FLOOR PLAN
SCALE 1:100



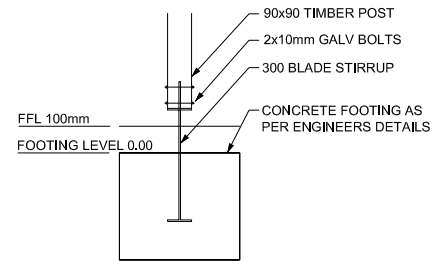
DETAIL 1
SCALE 1:20



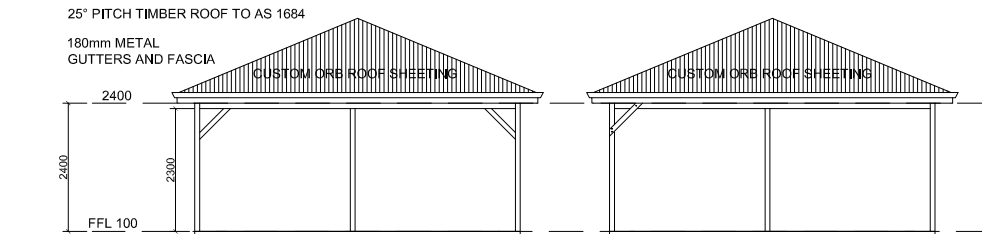
DETAIL 2
SCALE 1:20



DETAIL 4
SCALE 1:20

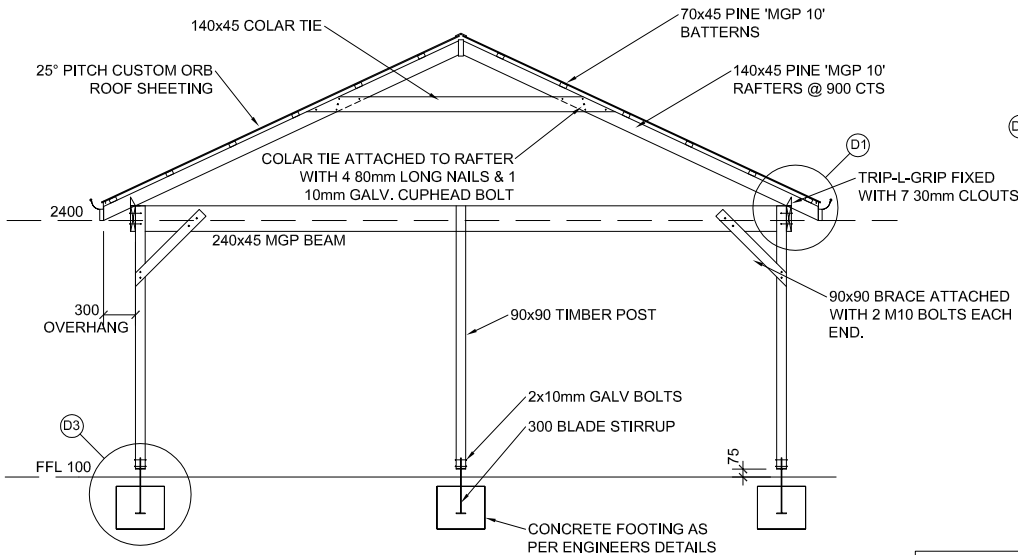


DETAIL 3 (TYPICAL FOOTING)
SCALE 1:20



ELEVATION 1
SCALE 1:100

ELEVATION 2
SCALE 1:100



S1 SECTION 1
03 SCALE 1:50

ALL WORKMANSHIP AND MATERIALS SHALL BE IN ACCORDANCE WITH RELEVANT STANDARDS AND BUILDING CODES INCLUDING ALL AMENDMENTS

STREAMLINE

Drafting & Design.

www.streamlinedesigns.com.au

MOB: 0428 901 871

EMAIL: streamlinedesigns@blgpond.com

THESE DRAWINGS ARE NOT TO BE USED FOR CONSTRUCTION PURPOSES UNLESS SIGNED BELOW. THE ACCURACY OF THESE DRAWINGS IS NOT GUARANTEED IT IS THE RESPONSIBILITY OF THE OWNER / BUILDER TO CHECK THAT ALL DETAIL IS SUITABLE FOR THE APPLICATION AND IN COMPLIANCE WITH ALL RELEVANT STANDARDS. STREAMLINE DRAFTING AND DESIGN WILL NOT BE HELD RESPONSIBLE FOR ANY DISCREPANCIES OR ERRORS

OWNER _____ BUILDER _____

DOUBLE CARPORT (MODEL 02_0101)

CONSTRUCTION DETAILS

OWNER:	DRAWN BY: MICHAEL KELLY	
ADDRESS:	JOB NO:	PAGE SIZE: A3
	DATE:	SHEET: 02
	SCALE: AS SHOWN	REV: A