

fencemakers

FOR THE FENCE THAT MAKES YOUR YARD

At Fencemakers we specialise in fences and gates for pools, gardens and security. WA owned and operated for over 20 years we provide the highest quality product through using only the finest resources.



Protect your family with the most durable security fence in the market.

Choose from a wide selection of modern and traditional designs.

**2 YEAR
Written
Guarantee!**

Why choose us?

At Fencemakers, expect only the best quality products, from Australian made steel to the multi stage powdercoating system we use.

We stand by all our fences, that is why we are the only fencing company that offers a 2 Year Guarantee on all of our products.

Quality Check List

	Fencemakers	Others
Australian made high quality steel	✓	<input type="checkbox"/>
Stainless steel non-rusting welds	✓	<input type="checkbox"/>
Stainless steel fittings*	✓	<input type="checkbox"/>
Chemical pre-treatment before powdercoating	✓	<input type="checkbox"/>
Trade certified fabricators	✓	<input type="checkbox"/>
2 year guarantee	✓	<input type="checkbox"/>

* Only available for installation jobs. Fittings not provided for supply only jobs unless specified.



Steel and Aluminium

Tubular Steel - Security & Strength

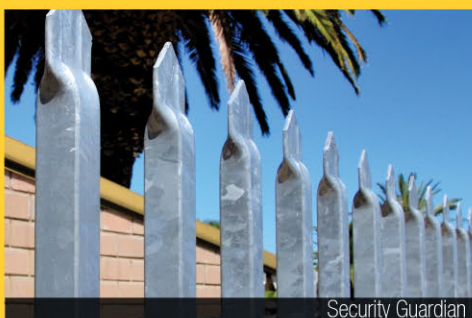
The lightweight fencing option that's big on strength. Tubular steel fencing is light, yet strong and its great look can be further enhanced with a range of decorative aluminum spears, circles, scrolls and crosses.

Fencemakers uses only Australian tubular steel that is galvanised both internally and externally and all welds in our steel fencing products are non-rusting stainless steel. We have taken every precaution to provide a weather resistant product that will continue to look great for many years to come.



Tubular Aluminium - A rust free alternative

Aluminium products are less affected by corrosion, so they are ideal for most locations without the expense of special industrial coatings. Although not as robust as steel, aluminium is more than suitable for the vast majority of applications. Recently, with the rising costs of steel, aluminium fencing has become the most popular choice due to its costs and anti-corrosive properties.



Security Fencing - Let Guardian keep you safe

Ideal for businesses or the more security conscious individual, this heavy-duty security fence is suited to areas requiring something more substantial than the lighter domestic styles. The square pickets are strong enough to prevent even a determined attempt at access through the fence while the arrowhead shaped tops deter access over the top.

If you want to keep your commercial premises secure then Guardian is the way to go.

Smartwood and Slats

Wood fencing? Try the smarter alternative

Fencemakers' alternative to wood fencing, smartwood, offers all the character of wooden pickets or slats without the maintenance or fuss. No rot, no rust, no warping and absolutely no repainting. The 65 x 16 aluminium sections have been specially coated in a choice of timber finishes. These may be used in a horizontal installation to suit the modern architectural look of your home.

This new innovation in wooden fencing is guaranteed to turn heads with minimal maintenance requirements.



Slat fencing and Panel Fencing

Fencemakers' aluminium slat fencing is the new look around town. Set horizontally it's the perfect choice for the modern home – allowing for privacy whilst still letting in sun light and the cool summer breeze. Fencemakers' custom design c-channel fixings system means you can choose your own spacing, with smaller gaps for more privacy, or larger spacings to keep your view. Choose your own colour; Fencemakers can cater for all your needs.



Gates and Picket Fencing

Aluminium Picket: Traditional look

If you're after a more traditional look in your fence then perhaps a picket fence is for you. We have worked hard to come up with a fence that captures the timeless look of a picket fence and yet still maintains the durability that our modern offerings provide. No warps, no rotting and no need for repainting - this style offers freedom from maintenance that all Fencemakers products provide.

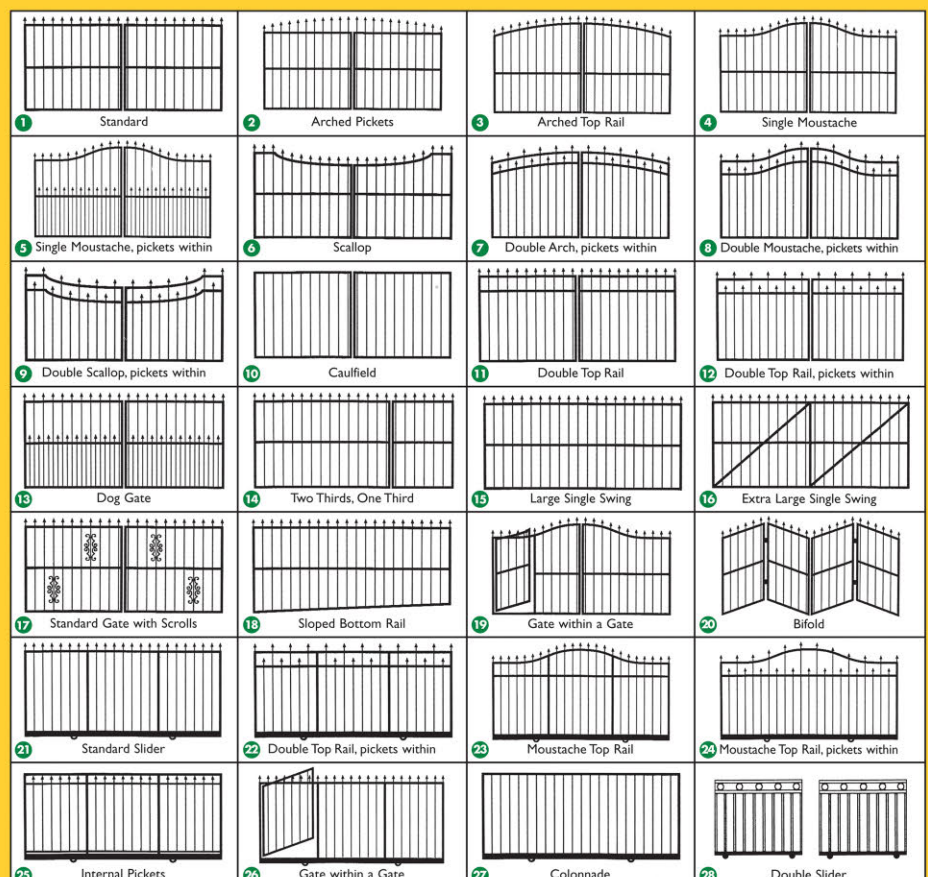


Gates and Automatics

Fencemakers specialise in a range of gates for driveways including swing gates and sliding gates. We can also arrange for the gates to be automated so that you can open or close them from the comfort of your vehicle.

We offer an almost unlimited range of light, medium or heavy duty gates and can match these to our fences.

Below is a guide to some of the different gates we have available. However, you may choose from any of the fencing styles or make your own custom design.



Fencing Styles and Specification

TUBULAR STYLES

Steel tubing is pre-galvanised internally and externally.

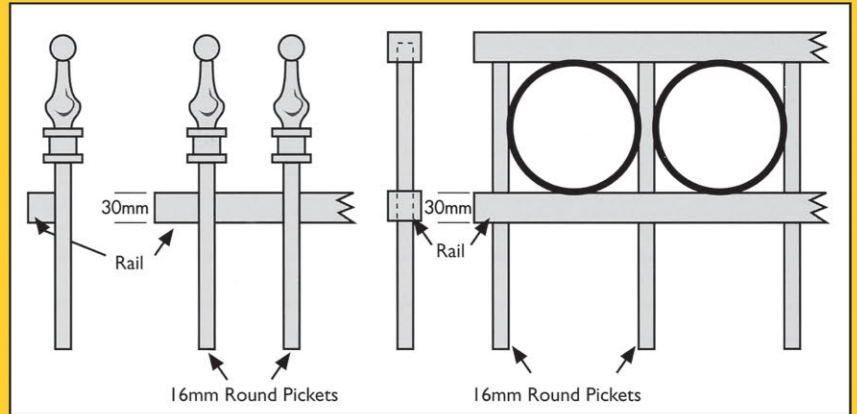
Non-rusting Stainless Steel welds

Rails: 30 x 30 x 1.6mm square tube

Pickets: 16 x 1.2mm round tube

Posts: 50 x 50 x 1.6mm steel

50 x 50 x 2.0mm aluminium



On the face

Through the rail

Various decorative tops: Cast Aluminium

Picket Spacing: Steel 110mm centres

Aluminium 90mm centres

You may choose from the following styles in either tubular steel or aluminium, or you may use the components to design your own individual style

Staggered Traditional	Traditional	Modern	Contemporary	Caulfield	Bishop
Chantilly	Cardinal	Gothic	Federation	Regency	Sentinel
Curved Top	Acorn	Classique	Double Top Rail	Radisson	Fortview
Eastbourne	Floreat	Parkside	Hastings	Valencia	Montana
Bostock	Westminster	Nautical	Slats	Guardian	Metal Pickets

Fencemakers

6 Century Road
Malaga, WA 6090

Mon to Fri (8:30am - 5:00pm)

Ph: (08) 9248 6855

Fax: (08) 9248 6877

Email: info@fencemakers.com



Guardian



Gothic



Cardinal



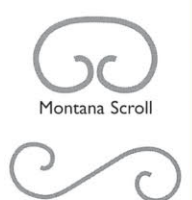
Sentinel



Acorn



Bishop



Montana Scroll

Valencia Scroll

We have plenty more styles and tops to choose from
visit www.fencemakers.com to view all options.

Coating Systems

What is Powder Coating?

Powder coating is a special paint in powder form that is electrostatically applied and then oven baked. It is a tough industrial coating process that comes in a wide range of colours.



What finish can you expect?

Fencemakers' fences are all individually hand crafted and painted by quality tradesmen, guaranteeing a quality finish that will exceed Australian standards. Whilst every care is taken in the coating process, it may contain minor irregularities consistent with handmade products and should not be compared to the duco of a car that has many specialised layers and is polished to a brilliant shine.

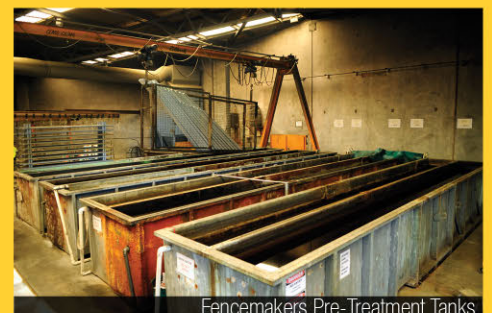
Pre-Treatment

Before your fencing gets powder coated it is important that the materials have been chemically pre treated. The majority of our competitors will choose the cheaper option of a quick wipe with cleaning solvent. Even though the finished product may look the same initially, within a few years the fencing will look aged and worn. Fencemakers multi-stage chemical pre-treatment is regarded as the best process available and will ensure the maximum life of the coating.



Choosing a correct coating

It is very important that you choose the correct coating for your purchase. When fencing and gates are close to the ocean, the extreme conditions may require an additional primer coat. Some galvanised steel products with decorative inserts may also require an additional primer coat to ensure an extended life expectancy of your purchase. Our experienced and trained sales team will give you all the right advice when it comes to choosing the appropriate coating for your fencing or gates.



Maintenance

Our products require very little maintenance to keep them looking great for years to come. Fencemakers recommends the occasional wash with soapy water. If salt or dirt is allowed to build up on the surface it will shorten the life of the coating significantly.

Premium Fencing and Decorative Screens

Premium Fencing: The Edge

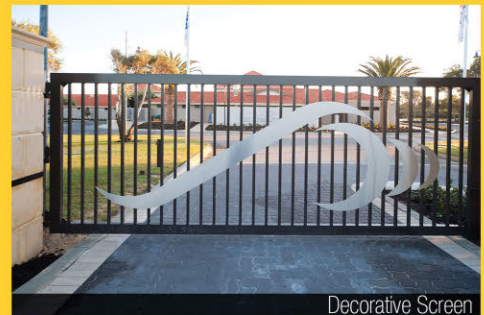
Fencemakers' premium product, 'The Edge' offers a new look not seen in Perth front yards before. It provides both unwavering security and stylish design that differentiates your house from your neighbours'. The Edge is manufactured out of solid aluminium flat bars, coupled with quality metallic powder coated finish to increase durability, and is a sure way to boost your street appeal.



The Edge

Decorative Screens: Laser & Perforated

Fencemakers is introducing a new product line to our range: custom decorative laser-cut/perforated screens. We work with your taste and your home's architectural aesthetic to design and fabricate a feature fence or gate for your yard, providing you with a unique frontage that will be the envy of the rest of your street.



Decorative Screen

Steel and Aluminium: Classic pool fencing

Fencemakers' range of steel and aluminium pool fencing provides fencing that satisfies both style and safety requirements. Our use of a chemical pre-treatment powder coating process ensures our pool fencing will last the test of time.

Fencemakers' quality pool fences and gates, with self-closing hinges and magna latch locks, meet all relevant Western Australian and Australian pool fencing standards (AS 1926.1 and AS 2820).

