



Ergonomic Furniture Direct

PRODUCT GUIDE



www.ergonomicfurnituredirect.com.au



- Ph. **1300 262 818**
- Email: office@ergonomicfurnituredirect.com.au
- www.ergonomicfurnituredirect.com.au

Thank you for ordering your FREE Product & Price Guide. As promised, you will discover more about...

Improve Posture, Profits & Well-Being For Your Employees, Business Or Students With Ergonomic Furniture Direct.

Hi! Cathy Wang, of Ergonomic Furniture Direct. I've been fielding some fantastic questions from **large offices and corporates, universities & large schools, office supply stores,** and others about our ergonomic furniture, **which has been awesome!**

One of the best questions asked was:

Why choose Ergonomic Furniture Direct over other suppliers?



If you have any experience looking for and buying **ergonomic furniture,** you already know there's no shortage of retailers and wholesalers around the corner or in the world.

That said, here are a few benefits that Ergonomic Furniture Direct offers that many other services do not.

- **Easy, simple & straightforward assembly without added assembly fees** – One benefit about Ergonomic Furniture Direct is that all our supplies and products come with 'how-to' video tutorials, something most suppliers won't provide you.
- **Custom adjustability on all your ergonomic furniture** – Being able to adjust your ergonomic chairs, workstations, and other furniture to your students, office or other team members or clients and their needs makes a real difference.

Of course, these are just some of the benefits, which you can find out more about in the following pages. Enjoy your product guide and please don't hesitate to contact us for further information.

*All the best,
Cathy and the team
Ergonomic Furniture Direct
"Furniture For Healthier Australians."*

P.S. If you're after a proven way to beat the high cost of quality ergonomic furniture for your business without sacrificing quality or your budget, please contact us ASAP so you do not miss out.

About Us



Hi, I'm Cathy Wang, The Chief Executive Officer & Founder.

Having worked in universities for more than 10 years, I found out really quickly that having the wrong type of workstation and chair can hurt your back and strain your neck, wrists, and shoulders.

It is crucial to be able to understand your body and posture so you can adjust your office desk and chair to suit your height and arm length, desk height and posture.

If you're after high-quality ergonomic office chairs, desks, workstations and other accessories for wholesale prices, **Ergonomic Furniture Direct can be of service to you.**

I started Ergonomic Furniture Direct in Canberra for many reasons.

One reason is to help office furniture retailers and suppliers, office furniture fit out and leasing services, schools and others reduce the risk of occupational overuse syndrome (OOS, also known as repetitive strain injury or RSI) and the effects it has on the person and their employer.

The team at **Ergonomic Furniture Direct** and I also have a firm commitment to provide the best ergonomic office furniture at wholesale prices direct to our customers so they can improve their profit margins and their own clients' posture, productivity and profits.

The way we see it, **if we can help our furniture office & supply stores, schools and similar business clients and their customers or students avoid** repetitive strain injury because of poor quality office chairs, desks and accessories, **we're doing our part to help Australians** live longer, happier and healthier lives.

And if your staff or students are happier they're healthier, which means they are more productive and take less sick days.



For further information and exact pricing on our Ergonomic Furniture, please contact us on 1300 262 818 or alternatively email us at office@ergonomicfurnituredirect.com.au

Seven Benefits Of Ergonomic Furniture Direct



#1. A fantastic LIFETIME warranty on all our ergonomic monitor arms, and an up to 5-year warranty on our other furniture!

#2. Plus, you can expect to keep your business's purchasing costs and cash flow in check because you're buying ergonomic office furniture directly from us wholesale. So, you'll save money, your customers will be really impressed with the quality, and our ergonomic furniture will keep your students or clients productive and comfortable.



But there's plenty more than this! Besides offering LIFETIME warranties you won't find anywhere else, with the best wholesale buy direct pricing, there's heaps more benefits for YOU to experience when you buy direct from us.

Here's what else is possible for you:

#3. Individualise your business - Provide customers with thousands of never seen before options - different colours to suit all different people and reach out to all different tastes of new clients! **Let your business sales make a BANG!**

#4. Custom adjustability on all your ergonomic furniture – Being able to adjust your ergonomic chairs, workstations, and other furniture to your students, office or other team members or clients and their needs makes a real difference.



Instead of them suffering in pain and resulting in a lack of productivity, you can help your customers or students overcome this and **improve morale and their sense of well-being at the same time.**

#5. Give your sales that extra edge by letting customers feel happy knowing all monitors and equipment are energy & power efficient.

#6. Easy, simple & straightforward assembly without added assembly fees. Another benefit about **Ergonomic Furniture Direct** is that all our supplies and products come with 'how-to' video tutorials, something most suppliers won't provide you.



#7. Buy in bulk wholesale & experience benefits and savings – We're specialised in large orders of ergonomic chairs, desks, workstations and accessories. We serve retail, commercial and private office furniture businesses, schools and universities and others keen to make a spark in their business sales and reduce their purchasing costs, without reducing quality.

For further information and exact pricing on our Ergonomic Furniture, please contact us on **1300 262 818 or alternatively email us at office@ergonomicfurnituredirect.com.au**

Category - Ergonomic Furniture Direct Silver Range



Need Ergonomic Multiple Monitor Arms, Cable Management, Anti-Fatigue Mats & Other Ergonomic Office Accessories Wholesale?

Item Number #1 Multiple Monitor Arm

Description:

- Economy double joint steel monitor arm with laptop holder

Dimensions:

- Height: 443mm
- Laptop holder: wide 240 – 420mm Deep: 280mm
- Monitor arm: 399mm

Standard Inclusions:

- Complete and ready to assemble, all fixings included.

Warranty and what it covers:

- Lifetime, covers all parts.

Custom options:

- Available in black, please contact us for latest options

Features & Benefits:

- Economy Double Joint Steel Monitor Arm with Laptop Holder
- Detachable VESA Plate Design: enables easy installation
- Cable Management: keeps everything organized
- 360° Rotary VESA Plate: for more viewing experience
- Two Mounting Options: both desk clamp and grommet are included
- Bulk and mixed orders available
- Delivery Australia-wide
- **Retail and educational supply specialists**
- Extensive industry experience
- Wholesale prices
- And more



For further information and exact pricing on our Ergonomic Furniture, please contact us on **1300 262 818 or alternatively email us at office@ergonomicfurnituredirect.com.au**

Item Number #2

Luxury Dual Monitor Arm



Description:

- Dual monitor arm with internal cable management
- Compatible with stand up portable workstation units

Dimensions:

- Arm Length: 465 – 525 mm
- Fit Screen Size: 13” – 32”
- Weight Capacity : 1-9KG
- Tilt range: +90°~-90°
- Swivel range: +90° ~ -90°
- Screen Rotation: +90° ~ -90°

Standard Inclusions:

- Complete, ready to assemble, all fixings included.

Warranty and what it covers:

- Lifetime, covers all parts.

Custom options:

- Silver/Black - please contact us for the very latest options

Features & Benefits:

- Dual Monitor Interactive Counterbalance Aluminium Monitor Arm
- **Bulk and mixed orders available**
- **Delivery Australia-wide**
- **Retail and educational supply specialists**
- Extensive industry experience
- Wholesale prices
- Gas Spring: perfectly counterbalances the weight of your monitor
- Built-in Spring Tension Gauge: for perfect weight adjustments
- 360° Rotary VESA Plate: for more viewing experience
- Cable Management: keeps everything organized
- Two Mounting Options: both desk clamp and grommet are included
- Detachable VESA Plate Design: enables easy installation
- And more!



For further information and exact pricing on our Ergonomic Furniture, please contact us on **1300 262 818** or alternatively email us at office@ergonomicfurnituredirect.com.au

Item Number #3

Luxury Single Monitor Arm



Description:

- Single Monitor Interactive Counterbalance • Aluminium Monitor Arm

Dimensions:

- Arm Length: 465 – 525 mm
- Fit Screen Size: 13” – 32”
- Weight Capacity : 1-9KG
- Tilt range: +90°~-90°
- Swivel range: +90° ~ -90°
- Screen Rotation: +90° ~ -90°

Standard Inclusions:

- Complete, ready to assemble, all fixings included.

Warranty and what it covers:

- Lifetime, covers all parts.

Custom options:

- Silver/Black - please call for very latest custom options

Features & Benefits:

- Single Monitor Interactive Counterbalance Aluminium Monitor Arm
- Gas Spring: perfectly counterbalances the weight of your monitor
- Built-in Spring Tension Gauge: for perfect weight adjustments
- **Bulk and mixed orders available**
- **Delivery Australia-wide**
- **Retail and educational supply specialists**
- Extensive industry experience
- Wholesale prices
- 360° Rotary VESA Plate: for more viewing experience
- Cable Management: keeps everything organized
- Two Mounting Options: both desk clamp and grommet are included
- Detachable VESA Plate Design: enables easy installation



For further information and exact pricing on our Ergonomic Furniture, please contact us on **1300 262 818** or alternatively email us at office@ergonomicfurnituredirect.com.au

Item Number #4

Prime Dual Monitor Arm



Description:

- Economy Double Joint Steel Monitor Arm

Dimensions:

- Arm Length: 399 mm
- Fit Screen Size: 13" – 32"
- Weight Capacity : 8KG
- Tilt range: +45°~-45°
- Swivel range: +90° ~ -90°
- Screen Rotation: +180° ~ -180°

Standard Inclusions:

- Complete, ready to assemble, all fixings included

Warranty and what it covers:

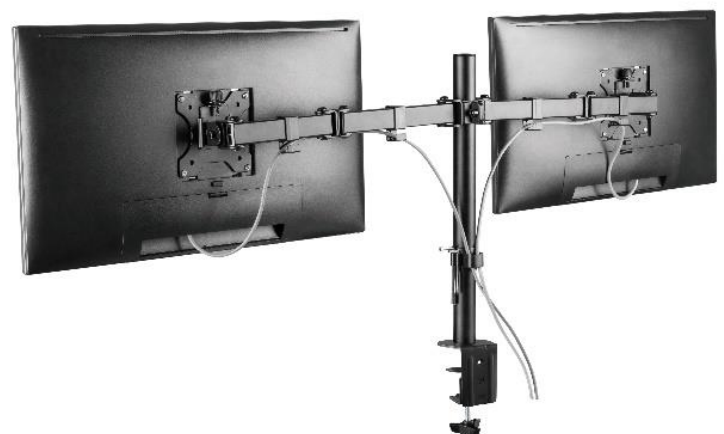
- Lifetime, covers all parts.

Custom options:

- Available in black - please call for very latest custom options

Features & Benefits:

- Economy Double Joint Steel Monitor Arm
- **Bulk and mixed orders available**
- **Delivery Australia-wide**
- **Retail and educational supply specialists**
- Extensive industry experience
- Wholesale prices
- Detachable VESA Plate Design: enables easy installation
- Cable Management: keeps everything organized
- 360° Rotary VESA Plate: for more viewing experience
- Two Mounting Options: both desk clamp and grommet are included
- Freely Adjusting Height: for an optimal ergonomic position



For further information and exact pricing on our Ergonomic Furniture, please contact us on **1300 262 818** or alternatively email us at office@ergonomicfurnituredirect.com.au

Item Number #5

Deluxe Cable Management



Description:

• Deluxe Cable Management spine white which is perfectly suited to help tidy up cables for height adjustable desks but can also be used for a standard height meeting table or office desk.

Dimensions:

• 1300x67x35mm

Standard Inclusions:

• Complete, ready to assemble, all fixings included

Warranty and what it covers:

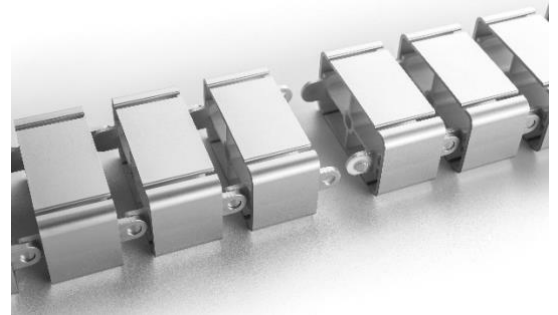
• 3 years, covers all parts.

Custom options:

• Available in white/black/silver

Features & Benefits:

- Quad Entry Vertebrae Cable Management Spine
- Cable Organizer & Hider: keep cables concealed and protect cables from the wear and tear
- Bulk and mixed orders available
- Delivery Australia-wide
- **Retail and educational supply specialists**
- **Extensive industry experience**
- **Wholesale prices**
- Modular Vertebrae Structure: allows users to add or subtract individual vertebra as required
- Quad Entryway Design: enables cable separation
- Weighted Base with Iron Block: offers extra stability
- Easy Setup: tools-free assembly in minutes



For further information and exact pricing on our Ergonomic Furniture, please contact us on **1300 262 818** or alternatively email us at office@ergonomicfurnituredirect.com.au

Item Number #6

Umbilical Cable Management



Description:

• Pathfinder Floor to Desk is an innovative, state of the art design in cable management. The Pathfinder is a new wave of Umbilical Cable Management, offering a complete floor to desk vertical cable management solution.

• Floor cables are fed directly into the umbilical. The extendable sections can fit to fixed desks or height adjustable desks. With no cables exposed, tripping hazards are avoided and obstacle free cleaning prevents dust and dirt building up.



Dimensions:

• 800 x 75 mm

Standard Inclusions:

• Complete, ready to assemble, all fixings included.

Warranty and what it covers:

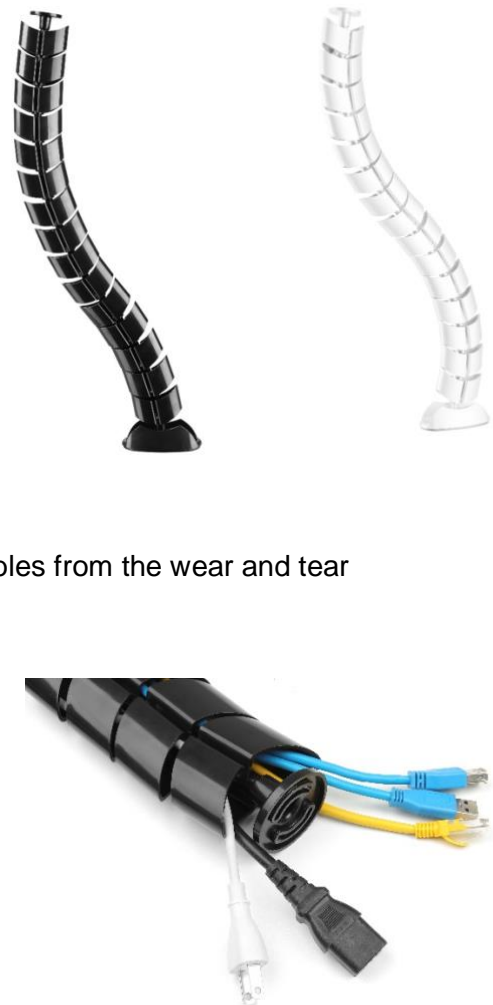
• 3 years, covers all parts.

Custom options:

• Available in white/black/silver - other options may be available so please contact us

Features & Benefits:

- Double-Channel Cable Management Spine
- Cable Organizer & Hider: keep cables concealed and protect cables from the wear and tear
- Bulk and mixed orders available
- Delivery Australia-wide
- **Retail and educational supply specialists**
- **Extensive industry experience**
- **Wholesale prices**
- Double-Channel System: enables the separation of cords
- Modular Vertebrae Structure: allows users to add or subtract individual vertebrae as required
- Weighted Base with Iron Block: offers extra stability
- Easy Setup: tools-free assembly in minutes



For further information and exact pricing on our Ergonomic Furniture, please contact us on

1300 262 818 or alternatively email us at office@ergonomicfurnituredirect.com.au

Item Number #7

Zipper Cable Sleeve



Description:

- Zip – up Design Cable Sleeve, ensures pain-free access and exit to your cables at any time

Dimensions:

- 800 x 100 mm

Standard Inclusions:

- Complete, Ready to assemble, all fixings included

Warranty and what it covers:

- 3 years, covers all parts.

Custom options:

- Available in white/black/grey

Features & Benefits:

- Cable Sleeve with Zipper
- Bulk and mixed orders available
- Delivery Australia-wide
- **Retail and educational supply specialists**
- **Extensive industry experience**
- **Wholesale prices**
- Cable Organizer & Hider: keep cables concealed and protect cables from the wear and tear
- Zip-Up Design: ensures pain-free access and exit to your cables at any time
- Weighted Base with Iron Block: offers extra stability
- Easy Setup: tools-free assembly in minutes



For further information and exact pricing on our Ergonomic Furniture, please contact us on **1300 262 818** or alternatively email us at office@ergonomicfurnituredirect.com.au

Item Number #8

Premium Anti-fatigue Mat



Description:

- This durable anti-fatigue mat cushions and supports your feet, knees, hips and back as you work.

The high-density core provides long-lasting support to and comfort as you work at your sit-stand desk.

Dimensions:

- Length: 762 mm
- Width: 510 mm
- Deep: 20mm

Standard Inclusions:

- Complete, ready to assemble, all fixings included.

Warranty and what it covers:

- 3 years, covers all parts.

Custom options:

- Available in black

Features & Benefits:

- 20.1" x 30" Premium Anti-fatigue Comfort Standing Mat
- Bulk and mixed orders available
- Delivery Australia-wide
- **Retail and educational supply specialists**
- **Extensive industry experience**
- **Wholesale prices**
- Ergonomically Engineered Shock Absorption: stimulates blood circulation, provides strong sole support, and reduces fatigue and pain on legs and feet caused by prolonged standing
- Rubberized-Gel Foam: provides unmatched tensile strength to resist tearing and enhanced durability for high traffic areas to ensure the mat will not break down or compress over time
- Anti-Slip Surface (Front and Back): reduces slipping risks and ensures mat stays in place even in heavily trafficked areas
- Trip-Resistant Bevelled Edge: ensures mat will not curl-up, reducing risk of trip hazard to the user and provides 18° angle for an office chair to roll on and off with ease
- Water-Resistant Material: can be vacuumed or wiped with a damp cloth



For further information and exact pricing on our Ergonomic Furniture, please contact us on **1300 262 818 or alternatively email us at office@ergonomicfurnituredirect.com.au**

Item Number #9

Groove active mat



Description:

- Supports feet, knees, hips and back
- Groove and roller ball for active standing

Dimensions:

- Length: 990 mm
- Width: 510 mm
- Deep: 19mm

Standard Inclusions:

- Complete, ready to assemble, all fixings included.

Warranty and what it covers:

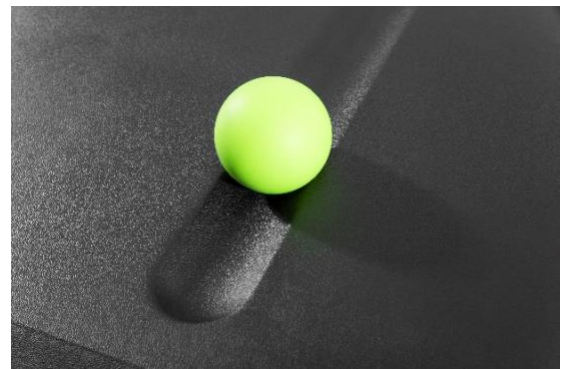
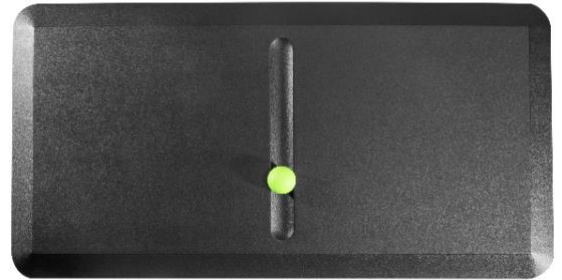
- 3 years, covers all parts.

Custom options:

- Available in black

Features & Benefits:

- Anti-Fatigue Standing Mat
- Massage Function: rest your ankles, feet, muscle while keep working
- Bulk and mixed orders available
- Delivery Australia-wide
- **Retail and educational supply specialists**
- Extensive industry experience
- Wholesale prices
- Ergonomically Engineered Shock Absorption: stimulates blood circulation, provides strong sole support, and reduces fatigue and pain on legs and feet caused by prolonged standing
- Rubberized-Gel Foam: provides unmatched tensile strength to resist tearing and enhanced durability for high traffic areas to ensure the mat will not break down or compress over time
- Trip-Resistant Bevelled Edge: ensures mat will not curl-up, reducing risk of trip hazard to the user and provides 18° angle for an office chair to roll on and off with ease
- Anti-Slip Surface (Front and Back): reduces slipping risks and ensures mat stays in place even in heavily trafficked areas
- Water-Resistant Material: can be vacuumed or wiped with a damp cloth



For further information and exact pricing on our Ergonomic Furniture, please contact us on **1300 262 818** or alternatively email us at office@ergonomicfurnituredirect.com.au

Category – Gold Range



**Reduce Neck, Back & Wrist Pain
With These Ergonomic Chairs & Furniture!**

Item Number #1

Rotating Lecture Seat

Description:

- Seat
- Back
- Tablet: PP. plastic
- Book box: PP. plastic
- Tablet: PP. plastic
- Frame: iron
- Powder coating aluminium accessories for tablet can be adjustable

Dimensions:

W x D x H: 650 x 520 x (930-970) mm

Standard Inclusions:

Comes in pieces in a box, all fixings included

Warranty And What It Covers:

3-year warranty that covers all parts

Custom Options:

- Sweet Orange
- Creamy Yellow
- Ocean Blue
- Apple Green
- Grey

Features & Benefits:

- Ergonomic
- Easy to move
- Bulk and mixed orders available
- Wholesale prices
- Easy to assemble
- Washable
- Stronger frame
- Roller wheels
- Great value for money
- Tablet can be adjustable



**For further information and exact pricing on our Ergonomic Furniture, please
contact us on **1300 262 818** or alternatively email us at
office@ergonomicfurnituredirect.com.au**

Item Number #2

Ergonomic office chair



Description:

- High back
- Waist support
- Adjust armrest
- Mould foam on seat
- Seat covers removable
- 8cms gas lift class 3
- 350mm nylon base
- Nylon castor

Dimensions:

W x D x H: 68 x 66 x 112cm

Standard Inclusions:

Complete, ready to assemble, all fixings included.

Warranty And What It Covers:

3 years for all parts

Custom Options:

- Noble Black
- Apple Green
- Cherry Red
- Sweet Orange

Features:

- Ergonomic
- Easy to assemble
- Waist support
- Adjustable armrests
- **Bulk and mixed orders available**
- **Delivery Australia-wide**
- **Retail and educational supply specialists**
- **Extensive industry experience**
- **Wholesale prices**
- Strong frame and base
- Headrest adjustable
- Gas lift
- High-density foam in seat
- Roller wheels
- Rotate knob clockwise/counter clockwise to adjust tilt tension based on body weight
- Height adjustable



For further information and exact pricing on our Ergonomic Furniture, please contact us on **1300 262 818 or alternatively email us at office@ergonomicfurnituredirect.com.au**

Item Number #3

Acme Ergonomic Chair



Description:

Footrest and lumbar support. The soft head or lumbar cushion provides great ergonomic support to reduce lower back pain.

Extended footrest gives you a full relax and nap both offices working mode and study mode.

Dimensions:

W x D x H: 680 x 520* x 1180-1210) mm

Standard Inclusions:

Complete, ready to assemble, all fixings included.

Warranty And What It Covers:

3 years, covers all parts.

Custom Options:

- Apple Green
- Ocean Blue
- Elegant Purple
- Cherry Red
- Sweet Orange
- Grey

Features & Benefits:

- High back swivel ergonomic chair with footrest
- Mesh back + nylon back frame with height adjustable lumbar support
- Bulk and mixed orders available
- Delivery Australia-wide
- **Retail and educational supply specialists**
- Extensive industry experience
- Wholesale prices
- Fabric padded seat with injection foam inside
- BIFMA passed class 3 gas lift + 180-degree tilting & locking mechanism with BIFMA standard
- 350mm chrome metal base with BIFMA passed 60mm PU nylon castors, no noise & no harm to floor



For further information and exact pricing on our Ergonomic Furniture, please contact us on **1300 262 818 or alternatively email us at office@ergonomicfurnituredirect.com.au**

Item Number #4

Primary Stand Up Desk



Description:

Gas spring stand up desk

Dimensions:

- Height range: 110 – 505mm
- Wide: 800mm
- Deep: 615mm

Standard Inclusions:

- Complete, ready to assemble, all fixings included.
- Installation video included.

Warranty And What It Covers:

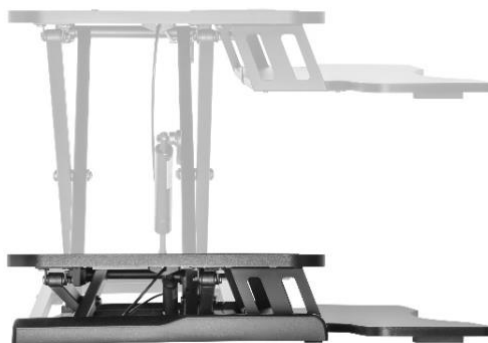
3 years, covers all parts.

Custom Options:

- Noble Black
- Shiny white

Features & Benefits:

- Gas Spring Scissor-Lift Desktop Sit-Stand Workstation (Compact Particle Board Surface)
- Gas Spring: creates smooth and quick transitions
- Squeeze Handle: effortlessly adjust height
- Bulk and mixed orders available
- Delivery Australia-wide
- **Retail and educational supply specialists**
- Extensive industry experience
- Wholesale prices
- Upgraded Keyboard Tray: provides comfort for your wrists



For further information and exact pricing on our Ergonomic Furniture, please contact us on **1300 262 818** or alternatively email us at office@ergonomicfurnituredirect.com.au

Item Number #5

Electric Riser



Description:

The riser sit-to-stand desk converter is our latest sit to stand desktop solution for creating your office desk into an ergonomic workstation.

Dimensions:

- Height range: 700 – 1200mm
- Wide: 850mm
- Deep: 450mm

Standard Inclusions:

Complete, ready to assemble, all fixings included.

Warranty And What It Covers:

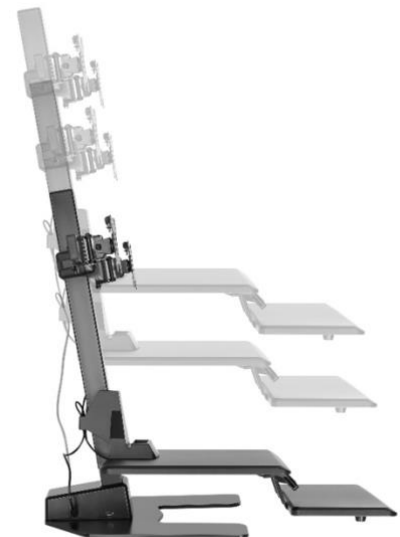
5 years, covers all parts.

Custom options:

- Noble Black
- Shiny white

Features & Benefits:

- Dual Monitor Electric Vertical Bar Desktop Sit-Stand Workstation with Keyboard Deck
- Strong Motor: ensures a very high stability level
- Easy-to-Use Press Controller: makes height adjustment easy
- Bulk and mixed orders available
- Delivery Australia-wide
- **Retail and educational supply specialists**
- Extensive industry experience
- Wholesale prices
- Spacious Surface: for placing more devices
- Front Slot: holds most tablets and phones
- Cable Management: keeps everything organized
- Free-Tilting Design: for multiple monitor viewing angles
- 360° Rotation: perfect for more viewing experience



For further information and exact pricing on our Ergonomic Furniture, please contact us on **1300 262 818** or alternatively email us at office@ergonomicfurnituredirect.com.au

Category – Platinum



Want Electric Adjustable Ergonomic Workstations Direct?

Item Number #1

2-Person Electric Adjustable Workstation



Description:

3-Stage quad Motor back-to-back electric adjustable Sit-Sand workstation

Dimensions:

- Width Range: 1000 – 1700mm
- Height Range: 620 – 1280mm
- Desktop: 1800/1500/1200*750*25mm

Standard Inclusions:

Comes in pieces in a box, all fixings included

Warranty And What It Covers:

5 years, covers all parts.

Custom options

- Black • White • Grey

Features:

- 3-Stage Quad Motor Back -to -Back Electric Sit-Stand Desk Frame
- 4-leg desk frame meets your demand of bench desk
- Digital LED Memory Controller: for customizable settings
- Multiple Motors: offer heavier lifting ability and increased stability
- 3 Programmable Memory: presents save your desired height
- Sit/Stand Time Reminder: for regular movement
- Collision Avoidance System: safeguards against accidents and injuries
- Motor(s) is (are) Thermal and Overload Protected: for safety and longevity
- Switched Mode Power Supply: for energy and power efficiency
- Cable Management: keeps everything organized
- Adjustable Width: fits a variety of desktop shapes and sizes
- Adjustable Feet: level and adapt to most any floor surface
- Three Stage Standard Column: offers more adjustability



For further information and exact pricing on our Ergonomic Furniture, please contact us on **1300 262 818** or alternatively email us at office@ergonomicfurnituredirect.com.au

Item Number #2

Deluxe Electric Corner adjustable desk



Description:

3-Stage Reverse Triple Motor L Shaped Electric sit-stand desks

Dimensions:

- With Range: 1200-1900mm, 1150 – 1800mm
- Height Range: 620 – 1280mm
- Desktop: 1800*750*25mm

Standard Inclusions:

Comes in pieces in a box, all fixings included

Warranty And What It Covers:

5 years, covers all parts.

Custom options

- Black
- White
- Grey

Features & Benefits:

- 3-Stage Reverse Triple Motor L Shaped Electric Sit-Stand Desk Frame
- 3-Leg Desk Frame: perfect for corner area
- Digital LED Memory Controller: for customizable settings
- Multiple Motors: offer heavier lifting ability and increased stability
- Bulk and mixed orders available
- Delivery Australia-wide
- **Retail and educational supply specialists**
- Extensive industry experience
- Wholesale prices
- 3 Programmable Memory: pre-sets save your desired height
- Sit/Stand Time Reminder: for regular movement
- Collision Avoidance System: safeguards against accidents and injuries
- Motor(s) is (are) Thermal and Overload Protected: for safety and longevity
- Three Stage Reversed Column: offers more adjustability
- Enhanced support column design increases stability
- Switched Mode Power Supply: for energy and power efficiency
- Cable Management: keeps everything organized
- Adjustable Width: fits a variety of desktop shapes and sizes
- Adjustable Feet: level and adapt to most any floor surface



For further information and exact pricing on our Ergonomic Furniture, please contact us on **1300 262 818 or alternatively email us at office@ergonomicfurnituredirect.com.au**

Item Number #3

Straight Electric Adjustable Desk



Description:

3-Stage Reverse Dual Motor Electric Sit-Stand Desk

Dimensions:

- Width Range: 1000 – 1700mm
- Height Range: 620 – 1280mm
- Desktop: 1800/1500/1200*750*25mm

Standard Inclusions:

Comes in pieces in a box, all fixings included

Warranty And What It Covers:

5 years, covers all parts.

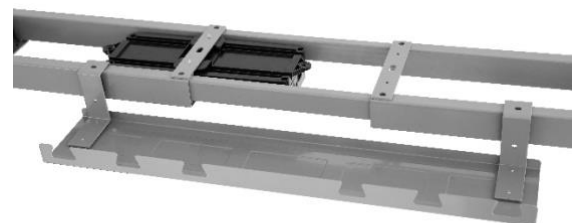
Custom options

- Black
- White
- Grey



Features & Benefits:

- 3-Stage Reverse Dual Motor Electric Sit-Stand Desk Frame
- Digital LED Memory Controller: for customizable settings
- Multiple Motors: offer heavier lifting ability and increased stability
- Bulk and mixed orders available
- Delivery Australia-wide
- **Retail and educational supply specialists**
- Extensive industry experience
- Wholesale prices
- 3 Programmable Memory: presents save your desired height
- Sit/Stand Time Reminder: for regular movement
- Collision Avoidance System: safeguards against accidents and injuries
- Motor(s) are Thermal and Overload Protected: for safety and longevity
- Three Stage Reversed Column: offers more adjustability
- Enhanced support column design increases stability
- Switched Mode Power Supply: for energy and power efficiency
- Cable Management: keeps everything organized
- Adjustable Width: fits a variety of desktop shapes and sizes
- Adjustable Feet: level and adapt to most any floor surface



For further information and exact pricing on our Ergonomic Furniture, please contact us on **1300 262 818 or alternatively email us at office@ergonomicfurnituredirect.com.au**

Item Number #4

Advanced Ergo Executive Chair with Headrest



Description:

Introducing the world's most comfortable chair. The Ergo range has been engineered using the most advanced ergonomic research to date and employs high tech materials and sophisticated European styling which sets it apart from any other chair in the world. The fully ergonomic chair has simply got to be tried to be believed.

Dimensions:

Carton size: 72 x 58 x 64 cm

Standard Inclusions:

Complete, ready to assemble, all fixings included.

Warranty And What It Covers:

3 years, covers all parts.

Custom Options

- Cherry Red
- Coffee brown
- Dark Green
- Light brown
- Purplish blue
- Noble black
- Grey

Features & Benefits:

- Total Comfort
- Headrest height & angle adjustment
- Backrest height adjustment
- Automatic flexible lumbar support
- Arm pad angle, forward or backward & armrest height adjustment
- Slight & Quick backrest tilt tension adjustment
- Push forward to adjust seat height
- Pull backward to adjust seat side
- Push forward to adjust angle of the back
- Seat Depth cable controlled
- Seat and Back Recline cable controlled
- Adjustable and detachable Head Rest with coat hanger
- BIFMA tested alloy mechanism



For further information and exact pricing on our Ergonomic Furniture, please contact us on **1300 262 818 or alternatively email us at office@ergonomicfurnituredirect.com.au**

Item Number #5

Aero Executive Mesh Chair



Description:

The Aero is a sophisticated chair for today's office. Aesthetically pleasing, comfortable and well-designed, the Aero will make a long day at the office that much more bearable

Dimensions:

Carton size: 72 x 58 x 64 cm

Standard Inclusions:

Complete, ready to assemble, all fixings included.

Warranty And What It Covers:

3 years, covers all parts.

Custom Options

- Cherry Red/
- Coffee brown
- Dark Green
- Light brown
- Purplish blue
- Noble black
- Grey

Features & Benefits:

- Bulk and mixed orders available
- Delivery Australia-wide
- **Retail and educational supply specialists**
- Extensive industry experience
- Wholesale prices
- Total Comfort
- Headrest height & angle adjustment
- Backrest height adjustment
- Automatic flexible lumbar support
- Arm pad angle, forward or backward & armrest height adjustment
- Slight & Quick backrest tilt tension adjustment
- Push forward to adjust seat height
- Pull backward to adjust seat side
- Push forward to adjust angle of the back
- Seat Depth cable controlled
- Seat and Back Recline cable controlled
- Adjustable and detachable Head Rest with coat hanger
- BIFMA tested alloy mechanism



For further information and exact pricing on our Ergonomic Furniture, please contact us on **1300 262 818 or alternatively email us at office@ergonomicfurnituredirect.com.au**