

RHEEM DOMESTIC HOT WATER



GAS



SOLAR



ELECTRIC



WATER SAVING



AUSTRALIA'S FAVOURITE NAME IN HOT WATER

COMES ON STEADY, HOT AND STRONG

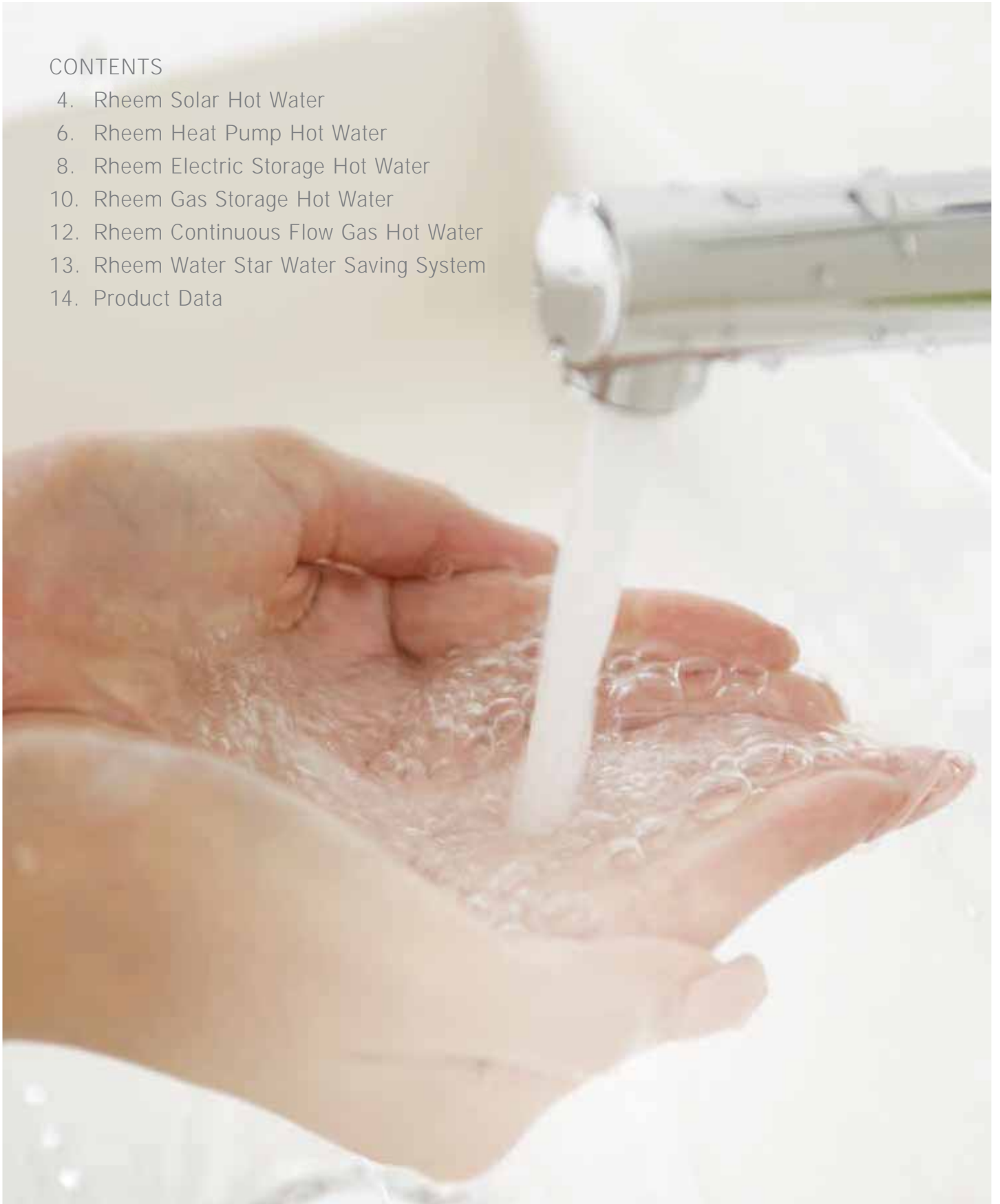
INSTALL A





CONTENTS

4. Rheem Solar Hot Water
6. Rheem Heat Pump Hot Water
8. Rheem Electric Storage Hot Water
10. Rheem Gas Storage Hot Water
12. Rheem Continuous Flow Gas Hot Water
13. Rheem Water Star Water Saving System
14. Product Data



RHEEM IS AUSTRALIA'S FAVOURITE NAME IN HOT WATER AND THE NAME AUSTRALIANS HAVE TRUSTED FOR GENERATIONS

YOU'LL BE RIGHT WITH RHEEM

No.1 with Australian families. Rheem is Australia's favourite hot water system... and it's been that way since 1939, when Rheem started making water heaters in Australia. Generations of Australian families have relied on Rheem for water that is steady, hot and strong!

RHEEM IS EVERYWHERE

There is an unequalled network of experienced Rheem service agents across the country. No matter where you are in Australia there is expert advice available to ensure that you get the Rheem solution that is right for you.

WE HAVE THE RIGHT RHEEM FOR YOU

Rheem has the most extensive range of hot water systems available in Australia. Solar, gas or electric storage. Continuous flow or heat pump. Energy efficient. Rheem has a range of capacities and sizes just right for every situation.

Solar, gas or electric.
Continuous flow, heat pump
or storage. Rheem has a
range of hot water solutions
for every situation.



CHOOSING THE RIGHT CAPACITY RHEEM FOR YOUR HOME

Many households change over time, so it's important to choose the right capacity to meet your needs both now and as your family grows.

Factors to consider in determining your hot water needs:

- Number of bathrooms or people using hot water at once.
- Adults and children in the home (teenagers will use more hot water than young children).
- Dishwashers or washing machines connected, that use hot water at the same time.
- Will a large bathtub or spa-bath be filled using hot water?

Your hot water system needs will be influenced by the water conditions, climate and water pressure in your region.

RHEEM SOLAR HOT WATER

SOLAR THAT SAVES



Solar water heaters come in both roof and ground mounted systems to suit various applications with a choice of either electric or gas back-up boosters for days when the sun doesn't shine. There are even models suited to particularly cold areas, which mean every family can enjoy the benefits a solar water heater has to offer.



SMALL-SCALE TECHNOLOGY CERTIFICATES

Small-scale Technology Certificates (STCs) are a financial incentive to encourage the installation of solar water heaters provided under a Federal Government operated scheme.

This map shows the climate Zones within Australia which will define the number of STCs allocated to an approved solar water heater.

To claim your STC entitlement, simply complete an STC Assignment form.

WHY RHEEM SOLAR

Energy efficient – can save up to 70% of water heating energy consumption.¹

Reduces carbon emissions – solar systems can save up to 3.0 tonnes of greenhouse gas emissions every year.⁴

Minimise reliance on fossil fuels and protect yourself against future energy cost increases – take advantage of Australia's abundant supply of sunlight, and reduce your reliance on expensive, non-renewable gas and electricity.⁵

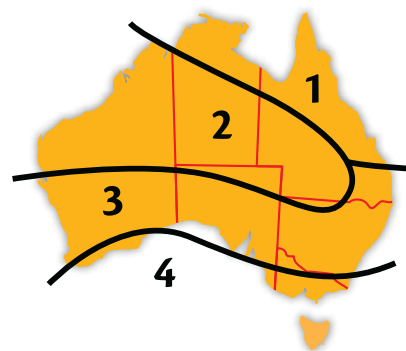
Complete range – the Rheem solar range includes both split, ground mounted systems and complete roof mounted models in a variety of capacities from 160 – 410 Litres.

All weather protection – Rheem Premier® Loline series feature unique, drain-back heat exchange technology, that prevents the solar system from freezing, or overheating during weather extremes.

Booster options – Rheem solar systems are available with electric or gas boosting, providing hot water during cloudy weather, or at night.

Eligible for financial benefits – STC financial benefits are available for installing solar water heating.⁶

Visit www.rheemsolarsavers.com.au to find out how many STCs apply to Rheem solar water heaters by zone and to download the Rheem STC Assignment form.





UP TO 70%
ENERGY SAVING¹

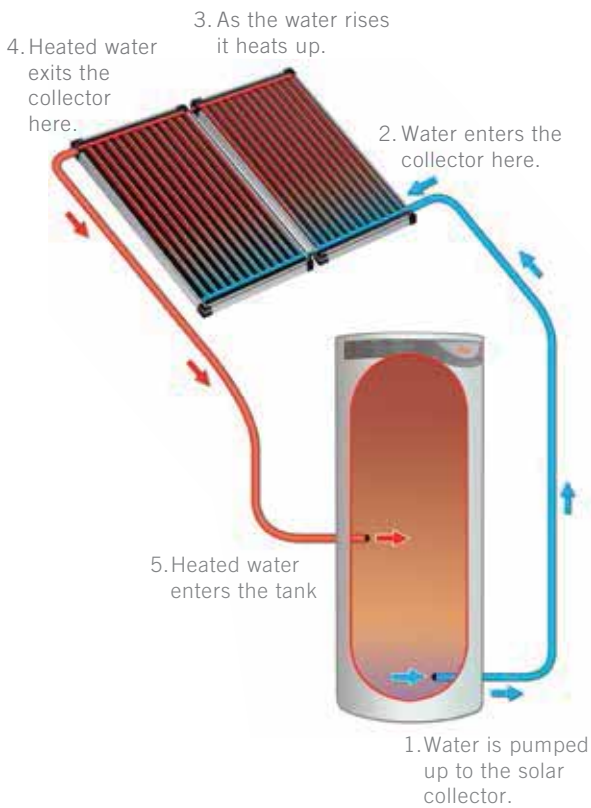
2-7
PEOPLE

160-410
LITRE
CAPACITY

5 & 7 YEAR
CYLINDER
WARRANTY^{2,3}

HOW SOLAR WORKS

Solar water heaters work by absorbing energy from the sun's rays in the roof mounted solar collectors and transferring this to heat water stored in the tank. Ground mounted systems rely on inbuilt pumps to push the water through the system, whereas roof mounted systems rely on a natural 'thermosiphon' effect. Typically water passes through channels in the solar collector where the water is heated. As the water moves out of the collector and into the tank, the tank gradually gets hotter until the water reaches its maximum stored temperature.



THE RIGHT RHEEM FOR YOU

GROUND MOUNTED SYSTEMS



Model Number:
591270/2S

Premier Loline

- Indirect design with complete frost protection - ideal for even the coldest of climates.
- Features drain-back heat exchange technology, assuring you of reliable solar performance in any weather extreme.
- Electric boost and integrated or remote Gas boost models available.
- The split design reduces the structural load on your roof.



Model Number:
511325/2NPT

Loline

- The multi-riser solar collectors efficiently absorb energy from the sun.
- Economical to buy.
- Automatic, electronic controls maximise solar gain.

ROOF MOUNTED SYSTEMS



Model Number:
52H300/2S

Premier Hiline

- Features an indirect heat exchange design, ensuring reliable operation in any climate.
- Lightweight and durable stainless steel tank cylinder (52H Series).
- Space saving roof mounted installation.
- Suitable for use in areas subject to freezing conditions.
- Suitable for use with a wide range of water chemistries (52C Series, not shown).



Model Number:
52S300/2NPT

Hiline®

- Ideally suited to warmer climates.
- Does not require pumps and controllers.
- Relies on water moving through the solar collectors and into the tank using energy absorbed from the sun.

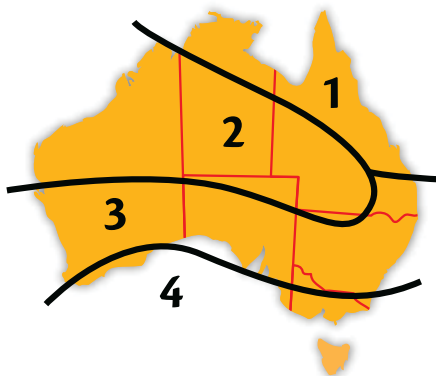
RHEEM HEAT PUMP HOT WATER

NEXT GENERATION SOLAR



Traditionally solar water heaters have proven themselves to be an energy efficient renewable water heating alternative to gas and electric systems, and while solar systems are still an efficient way to heat water, heat pumps save equivalent amounts of energy and greenhouse gas emissions to electric boosted solar systems.

Works day and night,
as they don't rely on
daylight to operate.



WHY RHEEM HEAT PUMP?

Energy efficient – cuts energy use and greenhouse gas emissions by up to 64%.⁹

No solar collectors – reduces structural load on your roof, can be used where roof collectors aren't suitable.

Replacement for electric water heaters – uses the same plumbing and electrical connections as an electric water heater, making it an ideal upgrade from a standard electric water heater.

2 piece design – results in a reduced handling weight, making it easy to deliver and install on site.

Back up element fitted in every model – delivers hot water even on the coldest of winter nights.

Eligible for incentives – Rheem Heat Pumps are eligible to receive Small-scale Technology Certificates (STCs).¹⁰

When suitable, product can be connected to lower cost tariffs – which helps reduce running costs.^{7, 11}

5 year cylinder warranty.⁸



SMALL-SCALE TECHNOLOGY CERTIFICATES

Small-scale Technology Certificates (STCs) are a financial incentive to encourage the installation of solar water heaters provided under a Federal Government operated scheme.

This map shows the climate Zones within Australia which will define the number of STCs allocated to an approved solar water heater. As of the 1st of November 2012, Zone 5 was added to the list of Zones eligible to create STC's for an approved Air Sourced Heat Pump. Visit <http://ret.cleanenergyregulator.gov.au> for a list of postcodes by Zone, including zone 5 which cannot be shown on the map.

To claim your STC entitlement, simply complete the STC Assignment form. Visit www.rheem.com.au/rebates to find out how many STCs apply to Rheem Heat Pumps by zone and to download the Rheem STC Assignment form.



SOLAR

2-6
PEOPLE

310-325
LITRE
CAPACITY

5 YEAR
CYLINDER
WARRANTY⁸

HOW A HEAT PUMP WORKS

Rheem Heat Pumps deliver hot water by efficiently utilising a free and abundant source of energy – the heat that is in the air around us. Refrigerant vapour compression technology enables the heat pump to intensify this heat, which is used to produce hot water. Rheem Heat Pumps are more efficient during warmer months, and will operate for less hours during the day than in colder months of the year. See illustration below.



When power is available, the Heat Pump heating cycle will continue until the tank is full of hot water.

THE RIGHT RHEEM FOR YOU



Model Number:
551310

HDi-310

- Top Down Heating delivers 60°C hot water in almost an instant.
- High heating power means fast recovery to provide all the hot water you'll need.
- Interconnecting design fits onto a standard outdoor electric water heater footprint.
- Suitable for cold climates, please note Rheem does not recommend installation in Zone 5.



Model Number:
551325

MPI-Series II

- Heat Pump module is located well below the fence line, which keeps noise away from windows.
- Whisper technology enables quieter operation.
- Two piece interconnecting design allows for easy one-man installation.
- Can connect to economical extended off-peak tariffs for maximum savings on running costs.
- Ideal upgrade for an electric storage water heater, featuring common connections.
- Available in RheemPlus[®] 50°C temperature models.
- Suitable for warm and tropical climates.

RHEEM ELECTRIC STORAGE HOT WATER

MAINS PRESSURE HOT WATER



Rheem Electric Storage Water Heaters are ideal for use with money saving off-peak energy tariffs and are available in a range of capacities to suit most needs. Best of all, Rheem Electric Storage Water Heaters come with the Rheem Mains Pressure Advantage built in. Rheem Mains Pressure water heaters heat water and store it so that it's ready as soon as you need it. This ensures full pressure to multiple outlets all at the same time.

Electric storage systems are a relatively inexpensive solution to your hot water needs.

WHY RHEEM ELECTRIC STORAGE?

Designed for Australia's tough conditions, using over 70 years of experience manufacturing in Australia.

Models suitable for connection to economical 'off peak', 'time of use' or continuous electricity tariffs.

7 or 10 year cylinder warranty models available.^{12,13}

Sizes to suit every family size and hot water requirement starting from 25L to 400L.

Mains Pressure water delivery for steady, hot and strong hot water.

Suitable for indoor installation.

Full technical support through Rheem's National Service Network.

OFF-PEAK OR CONTINUOUS ELECTRICITY?

Rheem electric storage hot water systems are suitable for connection to either "off-peak", "time of use" or "continuous" electricity tariffs depending on the model selected (refer to table for comparison).

Off-peak electricity is a lower cost, discounted rate available during specific "off-peak" times i.e. at times when electricity use is lower - such as at night and /or outside peak usage times. Energy companies specify that Electric Hot Water Systems have the following capacity/sizes to connect to an off-peak tariff:

8 Hour night rate – 250L - 400L (cheapest rate available)

16 hour 'extended' rate – 160L - 400L (some providers allow 125L)

'Time of Use' provides power 24 hours per day, but charges different rates for different times of day i.e. rates are higher for using electricity during peak hours, and less for electricity during the 'Shoulder period' and overnight.

Continuous electricity is where power is available to heat the water 24 hours per day. A smaller tank can often be used but the running costs will be higher.

Compare various water heater running costs online at www.rheem.com.au/RunningCostCalculator

CHOOSING THE RIGHT CAPACITY RHEEM FOR YOUR HOME

Many households change over time, so it's important to choose the right capacity to meet your needs both now and as your family grows.

Factors to consider in determining your hot water needs:

- Number of bathrooms or people using hot water at once.
- Adults and children in the home (teenagers will use more hot water than young children).
- Dishwashers or washing machines connected, that use hot water at the same time (note: most modern appliances heat their own water).
- Will a large bathtub or spa-bath be filled using hot water? Your needs may also depend on the climate and water pressure.

RHEEM OPTIMA®

Model (Litres)	250	315	400
PPH* – Off-peak tariff Single / Twin element	1-3 / 2-3	2-4 / 3-4	4-6 / 4-7
PPH* – Continuous/Time of use tariff*** Single / Twin element	3-5	4-6	5-9

RHEEMGLAS® AND RHEEMPLUS®

Model (Litres) Single element	25	50	80	125
PPH* – Off-peak tariff	-	-	-	-
PPH* – Continuous/Time of use tariff***	-	1	1-2	2-3
Model (Litres) Single element	160	250	315	400
PPH* – Off-peak tariff	-	1-3	2-4	4-6
PPH* – Continuous/Time of use tariff***	2-4	3-5	4-6	5-9
Model (Litres) Twin element	160	250	315	400
PPH* – Off-peak tariff	1-3	2-3	3-4	4-7
PPH* – Continuous/Time of use tariff***	2-4	3-5	4-6	5-9

* People per household

*** PPH supplied under 'Time of use' tariff conditions is equivalent to continuous tariff, provided the power supply is unrestricted.

THE RIGHT RHEEM FOR YOU



Model Number:
462 Series

RHEEM OPTIMA® ELECTRIC

- Mains pressure at multiple taps
- 10 year cylinder warranty¹³
- Available in 250L, 315L & 400L capacities
- Designed for connection to economical Off-peak energy tariffs
- Twin element daytime boost models available
- User adjustable thermostat (up to 75°C)



Model Number:
191 Series

RHEEMGLAS® ELECTRIC

- Mains pressure at multiple taps
- Feature dual handed inlet and outlet fittings**
- 7 year cylinder warranty¹²
- Available in 25L, 45L, 50L, 80L, 125L, 160L, 250L, 315L & 400L capacities
- Off-peak tariff models available
- Twin element daytime boost models available

** 111025 models have left hand connections only.



Model Number:
121 Series

RHEEMPLUS® ELECTRIC

- 50°C pre-tempered model
- Adjustable valve to deliver 50°C at the tap.
- 7 year cylinder warranty¹²
- Left hand connection
- Available in 125L, 160L, 250L & 315L capacities
- Complies with the requirement of AS/NZS 3500.4

RHEEM GAS STORAGE HOT WATER

MAINS PRESSURE HOT WATER WHEN YOU NEED IT



Mains pressure gas storage water heaters deliver hot water instantly, as they keep a generous quantity stored hot and ready for your use. As they are at mains pressure, you can be sure of a strong flow of hot water, and the ability to service multiple showers or hot water needs at once. A choice of 4 and 5 Star models, in a range of capacities means there is a model for every budget and family. And should you ever run short, Rheem's high recovery models will have you back in hot water fast.

5 Star energy efficient Rheem Gas Storage water heaters are good for the environment.

FACTORS TO CONSIDER:

Purchase, Installation and Running costs:

- Gas Storage systems are a relatively inexpensive solution to your hot water needs. There is a Rheem model to suit just about every budget. If replacing an existing gas unit, there is probably a Rheem model which can simply be installed in the same space.
- Higher efficiency Gas Storage water heaters cost less to run. As a guide, every extra energy-rating star represents approx 7% less gas usage, which means savings in energy bills.

Capacity:

- Gas Storage heaters are rated by their storage capacity and also their "recovery rate". This is the quantity that can be fully reheated in one hour; the higher this rate the faster you can be back in hot water.

RHEEM STELLAR®	330	360	
Number of People			
Moderate Climate	2-5	3-6	
Cool Climate	2-4	3-5	
RHEEM 5 STAR	265	295	
Number of People			
Moderate Climate	2-4	3-5	
Cool Climate	2-3	3-4	
RHEEM 4 STAR*	90	135	170
Number of People			
Moderate Climate	1-3	2-4	3-5
Cool Climate	1-2	2-3	3-4
RHEEM INDOOR*	135		170
Number of People			
Moderate Climate	2-4		3-5
Cool Climate	2-3		3-4



4 or 5★
ENERGY
RATING

2-6
PEOPLE

MAINS
PRESSURE

5, 7 or 10
YEAR CYLINDER
WARRANTY^{16, 17, 18}

WHY RHEEM GAS STORAGE?

5 Star energy rating models save you money and are good for the environment.

Designed for Australia's tough conditions, using 70 years of experience in Australia.

5, 7 or 10 year cylinder warranty models available.^{16, 17, 18.}

Capacities to suit most family sizes and hot water requirement, starting from 90 Litres.

Fast hot water recovery of up to 200 Litres per hour available.¹⁵

High recovery Rheem Stellar models for high-demand installations.

Mains pressure water delivery for steady, hot and strong hot water.

Indoor models also available (3 star energy rating).

The ability to service multiple uses at once without losing hot water pressure.

Full technical support through Rheem's National Service Network.

Available to suit Natural Gas or Propane.

THE RIGHT RHEEM FOR YOU



Model Number:
850 Series

RHEEM STELLAR®

- 5 Star energy efficiency
- High recovery 200L/hour of hot water¹⁵
- Mains pressure at multiple taps
- 330L or 360L first hour capacity of hot water¹⁵
- Modern design that complements any home
- 10 year cylinder warranty¹⁸



Model Number:
350/354 Series

RHEEM 5 STAR

- 5 Star energy efficiency
- Mains pressure at multiple taps
- Strong recovery
- 275L or 305L first hour capacity of hot water¹⁵
- 7 year cylinder warranty¹⁷

RHEEMPLUS®

- Available in RheemPlus® 50°C temperature models
- No tempering valve required¹⁴
- Adjustable to deliver 50°C at the first outlet (complying with AS 3498)



Model Number:
347 Series

RHEEM 4 STAR

- 90L, 135L and 170L capacities
- 4 Star energy efficiency
- Mains pressure
- Hi-temp thermostat, so you need less hot water¹¹
- 7 year cylinder warranty¹⁷

††Based on the most common temperature 43°C shower through a 9 litre/minute showerhead mixing with cold water at 10°C Rheem 4 star 347 Series with thermostat set at 73°C delivers 15-20% more continual shower time than the Rheem 3 Star 311 Series with thermostat set at 65°C.



Model Number:
300 Series

RHEEM INDOOR

- 135L and 170L capacities
- Mains pressure
- 3 Star energy efficiency
- 5 year cylinder warranty¹⁶

RHEEM CONTINUOUS FLOW GAS HOT WATER

CONTINUOUS HOT WATER WHEN YOU NEED IT



Continuous Flow gas water heaters deliver hot water that will never run out because they heat water when you need it, for as long as you need it. Continuous Flow water heaters work differently from storage water heaters, only heating on demand rather than heating and storing water until needed. 6 Star and better energy efficient Rheem Continuous Flow heaters are good for the environment. Mounted to the wall and taking up less space, they are ideal for a compact home site or apartment.

6 Star energy efficient
Rheem Continuous Flow
for hot water that never
runs out.

WITH RHEEM YOU'RE IN CONTROL

Rheem delivers added safety by putting you in control of the hot water in your home.

Rheem Standard and Deluxe Electronic Temperature Controllers are optional on all models, allowing you to choose the exact temperature you need and to guard against scalding. Rheem Bathroom Controllers can be set up to 50°C. Deluxe Controllers also offer a “bath fill” mode, to turn off the water flow once the bath is filled.



Model Number:
874627



GAS

6 ★

ENERGY
RATING

1-6

PEOPLE

12-54

L/MIN
CAPACITY10 YEAR
HEAT EXCHANGER
WARRANTY²¹

WHY RHEEM CONTINUOUS FLOW?

Sizes to suit every home, apartment or family – 12L, 16L, 18L, 20L, 24L and 27L/minute capacities.¹⁹

6 Star and better energy rating to save money and the environment.

Designed for Australia's tough conditions, combining international expertise with over 70 years of experience in Australia.

10 year heat exchanger warranty.²¹

Flamesafe® **overheat protection**, which automatically shuts down your heater should it overheat.

Rheem EZ LINK® delivers up to 54L/minute by linking 2 Rheem units to act as one, thereby doubling capacity.¹⁹

Rheem Q Factor™ for rapid hot water every time, without the fluctuation when multiple taps demand hot water, which can occur with some Continuous Flow units.

Family safety with electronic control for accurate and reliable water temperature, reducing the risk of scalding.

Electronic Remote Temperature Controllers for accurate setting of the ideal and safest temperature.

Solar ready Rheem 70°C capable models are compatible with solar systems without the need for special fittings.²³

Factory pre-set 50°C models available, requiring no tempering valve.²⁰

Full technical support through Rheem's National Service Network.

Compact size for flexibility in design to suit every installation.

Available to suit either Natural Gas or Propane

Internal 27L model available, with matched flue system.

DESIGNED TO DISAPPEAR

Your Rheem Continuous Flow water heater can be neatly hidden away to save even more space:

Pipe covers in matching colour will conceal all pipework.

Recess boxes will set your Rheem into the wall.

RHEEM WATER STAR® WATER SAVING SYSTEM



Rheem Water Star is a water-saving device suitable for use with all brands of continuous flow water heaters. It is an easy way to have faster hot water, minimise water wastage and reduce energy usage in the home.

Continuous Flow water heaters can waste water waiting for the heating mechanism to reach full temperature.

By capturing cold/warm water for re-heating later, while releasing already-hot water for instant use Rheem Water Star ensures hot water flows immediately, saving water and energy.

Rheem Water Star is easily installed and comes with a 5 year warranty.²² There is no extra electrical wiring, it has its own plug-in point for the water heater and is the same size as a Continuous flow water heater. Rheem Water Star cannot be installed with a 50°C Continuous Flow Water Heater or with remote temperature controllers.

A tempering valve may be required to be fitted in accordance with AS/NZS 3500.4.

RHEEM SOLAR HOT WATER PRODUCT DATA

RHEEM PREMIER® HILINE SOLAR HOT WATER HEATER - Electric and Gas boosted

MODEL - Electric Boosted MODEL - Gas Boosted	L	Vitreous Enamel Tank				Stainless Steel Tank			
		52C180/1NPT 52C180/1NPT-G		52C300/2NPT 52C300/2NPT-G		52H180/1S 52H180/1S-G		52H300/2S 52H300/2S-G	
Storage Capacity	L	180		300		180		300	
Solar Collectors		1		2		1		2	
Booster Type		Electric	Gas -remote	Electric	Gas -remote	Electric	Gas -remote	Electric	Gas -remote
Boost Capacity	L	90	27L/min	150	27L/min	90	27L/min	150	27L/min
People Per Household		1-2	1-3	2-5	2-5	1-2	1-3	2-5	2-5
Dimensions & Specifications									
Height (A)	mm	2475		2475		2490		2490	
Width (B)	mm	1575		2425		1495		2198	
Depth (C)	mm	510		510		563		563	
Weight Empty – Tank	kg	74		109		53		78	
Weight Full – Tank	kg	245		398		231		373	
Weight Empty – Solar Collectors	kg	33		66		48		96	
Weight Full – Solar Collectors	kg	35		70		52		104	

RHEEM HILINE® SOLAR HOT WATER HEATER

MODEL	L	Gas Boosted		Electric Boosted	
		52S160/1NPT-G	52S160/1NPT-G	52S160/1NPT	52S300/2NPT
Storage Capacity	L	160	300	160	300
Solar Collectors	NPT200	1	1	1	2
Booster Type		Gas – Remote	Gas – Remote	Electric	Electric
Boost Capacity	L	24L/min	24L/min	80	160
People Per Household		1-3	2-5	1-2	2-5
Dimensions & Specifications					
Height (A)	mm	1140	2200	2490	2490
Width (B)	mm	540	540	1140	2200
Depth (C)	mm	70	100	540	540
Weight Empty – Tank	kg	230	400	70	100
Weight Full – Tank	kg	39	78	230	400
Weight Empty – Solar Collectors	kg	41	82	39	78
Weight Full – Solar Collectors	kg			41	82

RHEEM PREMIER® LOLINE SOLAR HOT WATER HEATER

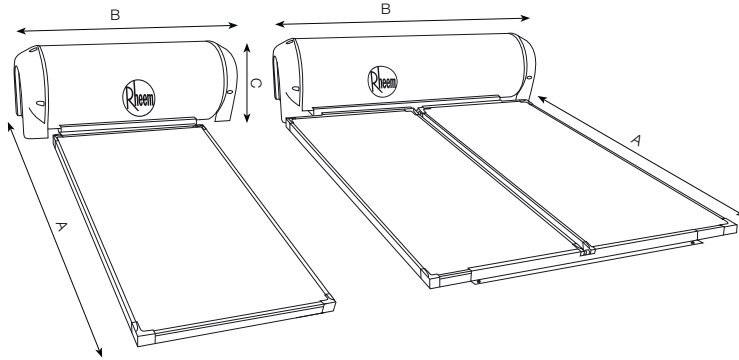
MODEL	L	Gas Boosted				Electric Boosted	
		596270/1S-G 596270/1T-G	596270/2S-G 596270/2T-G	590270/1S-G 590270/1T-G	590270/2S-G 590270/2T-G	591270/2S 591270/2T	591270/3S 591270/3T
Storage Capacity	L	270	270	270	270	270	270
Solar Collectors		1	2	1	2	2	3
Booster Type		Gas – Integrated	Gas – Integrated	Gas – Remote	Gas – Remote	Electric	Electric
Boost Capacity	L	27L/min	27L/min	27L/min	27L/min	125	125
People Per Household		2-5	2-5	2-5	2-5	1-3	2-4
Dimensions & Specifications							
Height (A)	mm	1787	1787	1775	1775	1775	1775
Width (B)	mm	650	650	650	650	650	650
Depth (C)	mm	890	890	682	682	682	682
Cold In (D)	mm	772	772	377	377	377	377
Hot Out (E)	mm	772	772	1078	1078	1078	1078
Weight Empty – Tank	kg	165	165	145	145	146	146
Weight Full – Tank	kg	435	435	415	415	416	416
Weight Empty – Solar Collectors	kg	50	100	50	100	100	150
Weight Full – Solar Collectors	kg	54	108	54	108	108	162

RHEEM LOLINE SOLAR HOT WATER HEATER

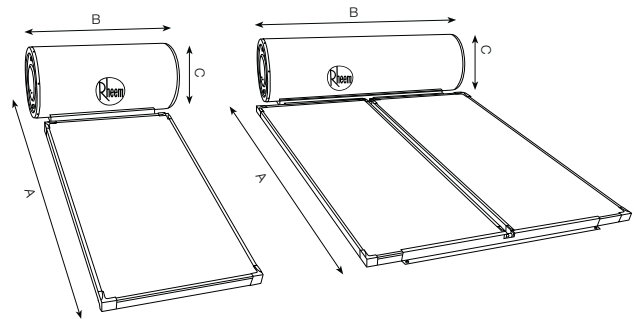
MODEL	L	Gas Boosted			Electric Boosted		
		511271/2NPT-G 511271/2HBT-G* 511271/2TBT-G*	511325/2NPT-G 511325/2HBT-G* 511325/2TBT-G*	511410/3NPT-G 511410/3HBT-G* 511410/2TBT-G*	511271/2NPT 511271/2HBT* 511271/2TBT*	511325/2NPT 511325/2HBT* 511325/2TBT*	511410/3NPT 511410/3HBT* 511410/2TBT*
Storage Capacity	L	270	325	410	270	325	410
Solar Collectors		2	2	3	2	2	3
Booster Type		Gas – Remote	Gas – Remote	Gas – Remote	Electric	Electric	Electric
Boost Capacity	L	24L/min	24L/min	24L/min	140	170	220
People Per Household		2-5	2-6	3-7	1-3	2-4	3-6
Dimensions & Specifications							
Height (A)	mm	1395	1640	1840	1395	1640	1840
Width (B)	mm	640	640	690	640	640	690
Depth (C)	mm	680	680	730	680	680	730
Cold In (D)	mm	73	73	81	73	73	81
Hot Out (E)	mm	1117	1357	1519	1117	1357	1519
Weight Empty – Tank	kg	71	87	111	71	87	111
Weight Full – Tank	kg	341	412	521	341	412	521
Weight Empty – Solar Collectors	kg	78	78	117	78	78	117
Weight Full – Solar Collectors	kg	82	82	123	82	82	123

*HBT + TBT Collectors are only available for installation in zones 3 & 4.

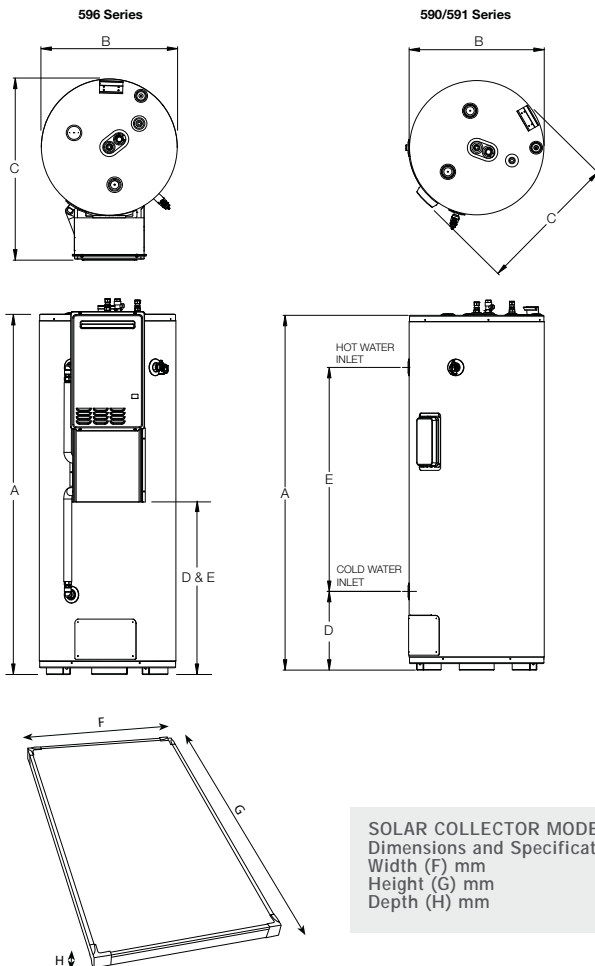
RHEEM PREMIER® HILINE SOLAR HOT WATER HEATER



RHEEM HILINE® SOLAR HOT WATER HEATER

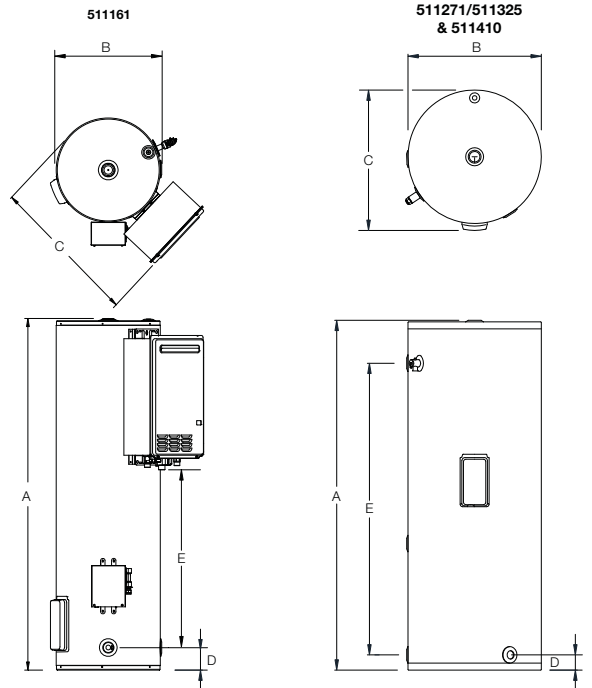


RHEEM PREMIER® LOLINE SOLAR HOT WATER HEATER



SOLAR COLLECTOR MODEL S200, T200, HBT200, NPT200 & TBT200 Dimensions and Specifications	
Width (F) mm	1023
Height (G) mm	1941
Depth (H) mm	80

RHEEM LOLINE SOLAR HOT WATER HEATER



Warranty, terms and conditions

- Energy savings of up to 70% based on Australian Government Approved TRNSYS simulation modelling using a medium load in Zone 3 and apply when replacing an electric water heater with a Rheem Solar Loline electric boosted water heater.
- Rheem Premier® Loline/Loline/Hiline/Premier Hiline® (52C Models)** 5 year supply on cylinder and solar collectors, 3 year labour on cylinder, 1 year labour on collectors, 1 year parts and labour. Applies to domestic installations only. Conditions apply, see the Rheem warranty set out in the product's Owners Guide or view it at www.rheem.com.au/warranty
- Rheem Premier® Hiline (52H Models)** 7 year supply on cylinder, 5 year supply on solar collectors, 3 year labour on cylinder, 1 year labour on collectors, 1 year parts including labour. Conditions apply, see the Rheem warranty set out in the product's Owners Guide or view it at www.rheem.com.au/warranty
- Greenhouse gas emission savings based upon installing a 511325/2NPT Solar Hot Water heater, when replacing an electric water heater.
- Any financial savings will vary depending upon type of Rheem Solar system installed, orientation and inclination of the solar collectors, type of water heater being replaced, hot water consumption and fuel tariff. Maximum financial savings off your hot water bill are achievable when replacing an electric water heater on continuous tariff.
- Eligibility criteria apply. STC Incentive/benefit scheme is subject to change without notice.



WaterMark

AS 3498
WMKA00153
WMKA00500
WMKA00200



Quality
ISO 9001



Australian
Standard
AS/NZS 2712 Lic 757
Lic 1948
Lic 20142
SAI Global

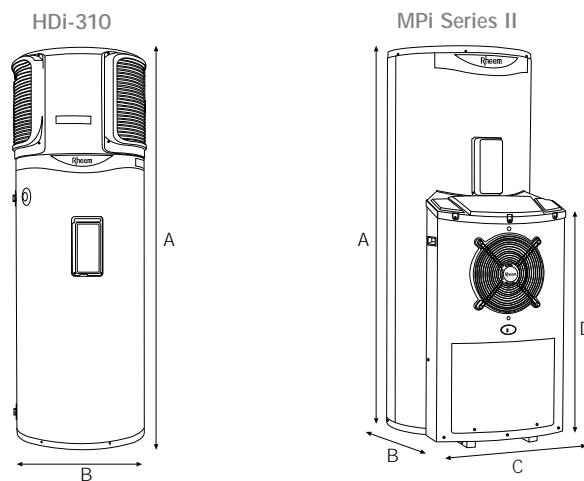
INSTALL A



RHEEM HEAT PUMP HOT WATER PRODUCT DATA

	HDi-310	MPi-325		MPi-410	
Product Code	551310	551325	554325	551410	554410
RheemPlus®					
Number of People (Moderate Climate)	3-6	2-5	2-5	2-6	2-6
Dimensions					
Height (mm)					
Module: D	N/A	1018	1018	1018	1018
Tank: A	1870	1631	1636	1842	1842
Width B (mm)					
	670	894	1006	961	1073
Depth C (mm)					
	679	638	638	686	686
Weight					
Heat Pump module (kg)	48	42	42	42	42
Tank (kg)	87	88	90	112	112
Technical					
Capacity (L)	310	325	325	410	410
Power input (Watts)	1300	800	800	800	800
Refrigerant	R134a	R134a	R134a	R134a	R134a
Element Sizes (kW)	2.4 or 3.6	1.8, 2.4 or 3.6	1.8, 2.4 or 3.6	2.4 or 3.6	3.6
Boost Capacity (L)	220	180	180	200	200
Water Connections & Settings					
Inlet (RP)	¾ / 20	¾ / 20	¾ / 20	¾ / 20	¾ / 20
Outlet (RP)	¾ / 20	¾ / 20	¾ / 20	¾ / 20	¾ / 20
Tank Relief Valve Setting (kPa)	1000	1000	1000	1000	1000
ECV Setting (kPa)	850	850	850	850	850
Maximum Mains Pressure					
With ECV (kPa)	680	680	680	680	680
Without ECV (kPa)	800	800	800	800	800
Min. Water Supply Pressure (kPa)	200	200	200	200	200

MPi-410 only recommended for Nth NSW & QLD.



Warranty, terms and conditions

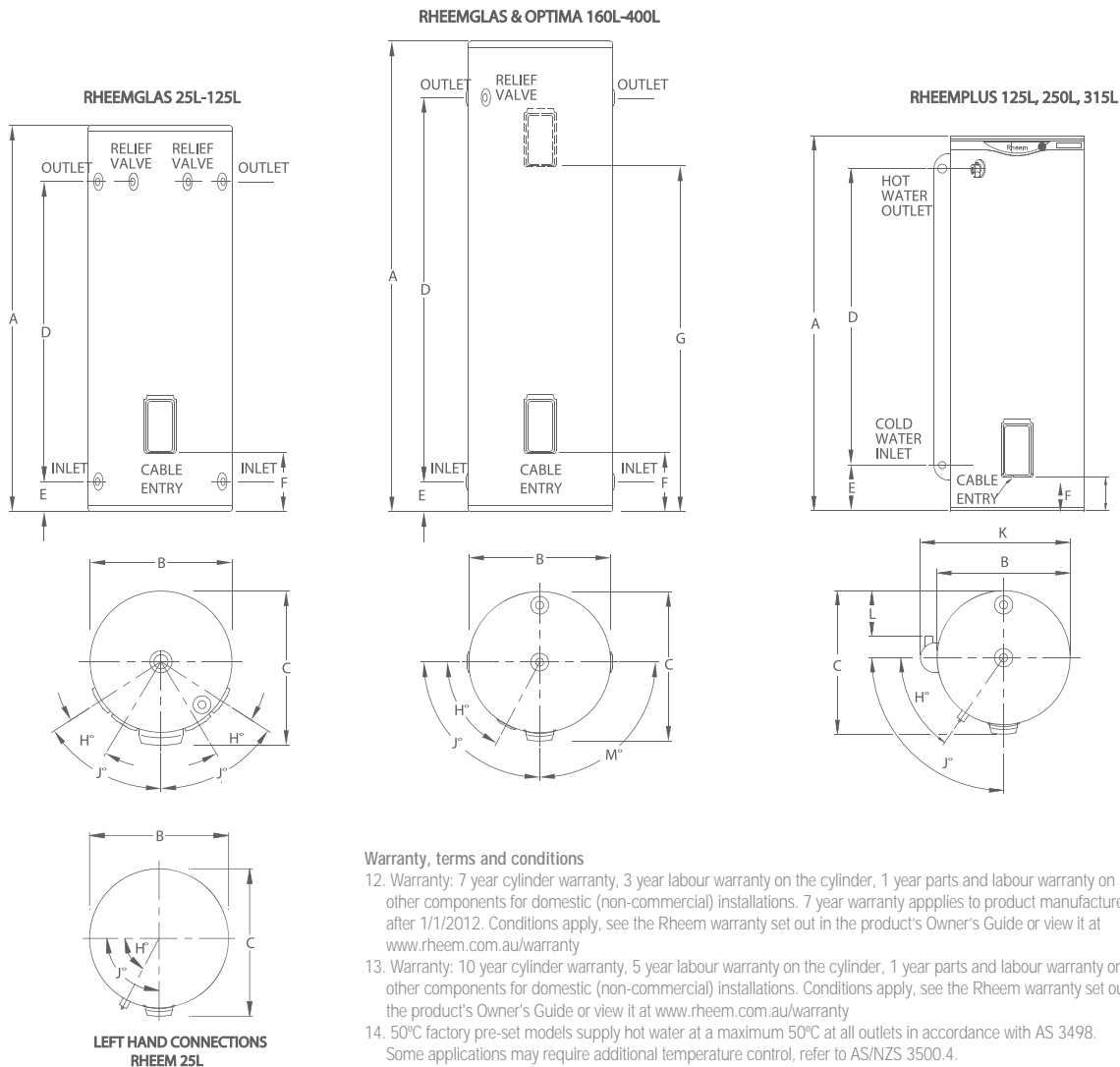
- The impact on an electricity account will depend on the tariff arrangement of the water heater being replaced and where you live. These Rheem Heat Pump water heaters (model dependant) are recommended for connection to either 24 hour continuous tariff or extended off peak (min 16 hours/day). Before purchase consult your energy provider for more information on cost comparisons.
- Heat Pump warranty conditions. 5 year cylinder warranty, 3 year labour on cylinder, 2 year on sealed system including labour, 1 year on all other parts and labour. Applies to domestic installations only. Amended warranty may apply where a government rebate has been received for the solar water heater. Phone 131 031 for details. Conditions apply, see the Rheem warranty set out in the product's Owner's Guide or view it at www.rheem.com.au/warranty
- Energy and greenhouse gas emissions reduction of up to 64% based on Australian Government Approved TRNSYS simulation modelling and apply when replacing an electric water heater with a Rheem Heat Pump water heater in Zone 3.
- Assumes consumer eligibility for rebates. Eligibility criteria apply. Rebates and incentive schemes are subject to change or cancellation without notice.
- Any financial savings will vary depending upon type of Rheem Heat Pump installed, type of water heater being replaced, hot water consumption and fuel tariff. Maximum financial savings off your hot water bill are achievable when replacing an electric water heater on continuous tariff.



RHEEM ELECTRIC STORAGE HOT WATER PRODUCT DATA

		Warranty ^{12,13}				Model					
		25	45	50	80	125	160	250	315	400	
Rheemglas® Single Element	7 years	111025 111025/P	191045 191045/P	191050 191050/P	191080	191125	191160	191250	191315	191400	
Rheemglas® Twin Element	7 years	-	-	-	-	-	192160	192250	192315	192400	
Rheem Optima® Single Element	10 years	-	-	-	-	-	-	411250	411315	411400	
Rheem Optima® Twin Element	10 years	-	-	-	-	-	-	462250	462315	462400	
RheemPlus® Single Element	7 years	-	-	-	-	121125	121160	121250	121315	-	
Hot Water Delivery	Litres	18	45**	50	80	125	160	250	315	400	
Storage Capacity	Litres	25	49	53	90	135	165	270	324	412	
Boost Capacity Twin Element		-	-	-	-	-	45	50	50	90	
Dimensions	A	mm	390	670	695	945	1340	1610	1395	1640	
	B	mm	385	393	400*	480	480	480	640	690	
	C	mm	420	429	436	515	515	680†	680†	735†	
	D	mm	130	346	397	702	1102	1332	1117	1479	
	E	mm	116	142	142	64	64	104	73	113	
	F	mm	75	80	80	66	66	66	103	105	
	G	mm	-	-	-	-	-	1081	988	1228	
	H	deg	26	26	26	24	24	23	32	30	
	J	deg	65	59	59	60	60	58	88	83	
	K	mm	-	-	-	-	545	545	705	-	
	L	mm	-	-	-	-	183	183	262	-	
	M	deg	-	-	-	-	-	58	92	97	
Approx. Weight Empty	Kg	18	22	29	36	49	55	76	97	118	

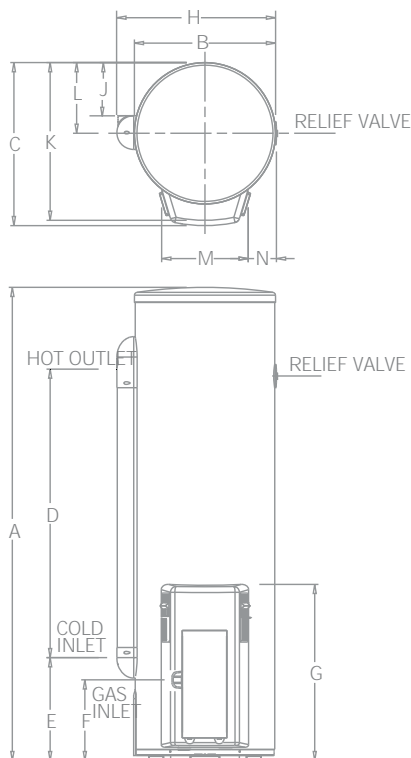
Rheemglas 111025,121 series RheemPlus® and 411 & 462 series Optima® models have left hand connections only.
 191 and 192 series Rheemglas® models have left and right hand connections and are available in Litre delivery capacity only.
 160 to 400 models have TPR valve fitting on the left hand side only.
 * 400mm diameter applies to product manufactured after 25th June 2012.
 ** Rated hot water delivery is 40L in accordance with AS/NZS 4692.1. Actual hot water delivery is 45L when tested for AS1056.1
 † 20mm needs to be added on for 411 & 462 series Optima® models
 Technical data is subject to change.



RHEEM GAS STORAGE HOT WATER PRODUCT DATA

	Rheem 4 Star			Rheem 5 Star		Rheem Stellar®		Rheem Indoor*	
	90	135	170	265	295	330	360	135	170
Model Number RheemPlus®	347090N0/PO -	347135N0/PO -	347170N0/PO -	350265N0/PO 354265N0/PO	350295N0/PO 354295N0/PO	850330N0/PO -	850360N0/PO -	300135N0/PO -	300170N0/PO -
Number of People:									
Moderate Climate	1-3	2-4	3-5	2-4	3-5	2-5	3-6	2-4	3-5
Cool Climate	1-2	2-3	3-4	2-3	3-4	2-4	3-5	2-3	3-4
Warranty (years) ^{16,17,18}	7	7	7	7	7	10	10	5	5
Gas Type	Natural Gas/Propane			Natural Gas/Propane		Natural Gas/Propane		Natural Gas/Propane	
GAS Energy Rating ★	4.1	4.3	4.0	5.3	5.3	5.2	5.0	3.4	3.2
Storage Capacity (Litres)	90	135	170	130	160	130	160	135	170
Recovery Rate (L/Hour@45°C) Natural Gas	100	117	117	142	142	200	200	120	126
First Hour Capacity (Litres)	190	252	287	272	302	330	360	255	296
Hourly Gas Consumption (MJ/Hr)Nat/Prop	25/25	27/26	27/26	30/30	30/30	42/42	42/42	30/30	30/30
Dimensions mm									
A	1158	1558	1858	1622	1922	1600	1900	1615	1915
B	422	422	422	485	485	485	485	425	425
C	502	502	502	556	556	558	558	500	500
D	588	988	1213	988	1213	988	1213	988	1213
E	328	328	403	328	409	328	409	328	403
F	298	298	298	298	298	298	298	297	297
G	1078	1478	1778	600	600	770	770	1490	1790
H (RheemPlus® Only)				545	545				
J (RheemPlus® Only)				182	182				
K	473	473	473	520	520	520	520	490	490
L	208	208	208	240	240	252	252	213	213
M				299	299	299	299		
N				93	93	93	93		
Weight Empty (kg)	48	59	69	75	85	70	80	54	63
Relief Valve Setting (kPa)	1400			1400		1400		1400	
Expansion Control Valve Setting (kPa)	1200			1200		1200		1200	
Max Water Supply Pressure:									
with ECV (kPa)	960			960		960		960	
without ECV (kPa)	1120			1120		1120		1120	
Water Connections	RP ¾ / 20			RP ¾ / 20		RP ¾ / 20		RP ¾ / 20	
Water Connections (RheemPlus)				G¾B					
Gas Connection	RP ½ / 15			RP ½ / 15		RP ½ / 15			

*Flue Diameter 75mm



GLOSSARY OF TERMS

Recovery rate – the volume of water a heater can reheat in one hour. Measured as the volume of completely cold water (should the water heater be run completely out) that can be heated to 45°C over the cold water temperature.

First Hour Capacity – a measure of water heater capacity that combines both the stored hot water volume & the hourly recovery rate (eg: if a water heater has storage capacity of 130L and a recovery rate of 200L/hour, its First Hour Capacity is 330L).

Warranty, terms and conditions

15. Based on 45°C temperature rise.

16. 5 year cylinder warranty, 3 year labour on cylinder, 1 year parts and labour warranty on all other components for domestic (non-commercial) installations. Conditions apply, see the Rheem warranty set out in the product's Owner's Guide or view it at www.rheem.com.au/warranty

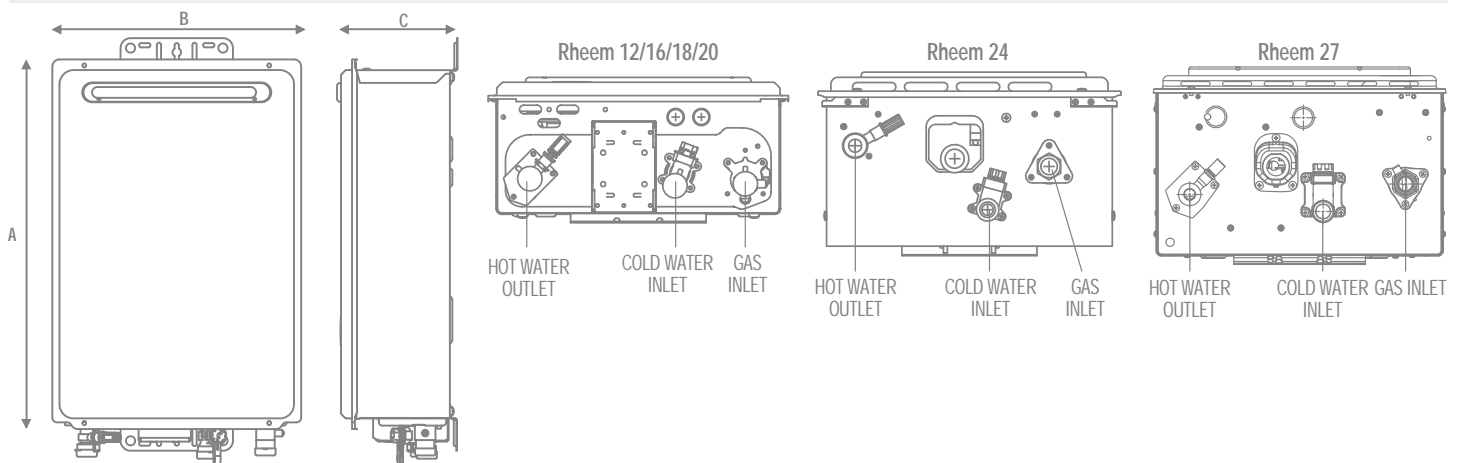
17. 7 year cylinder warranty, 3 year labour on cylinder, 1 year parts and labour on all other components for domestic (non-commercial) installations. Conditions apply, see the Rheem warranty set out in the product's Owner's Guide or view it at www.rheem.com.au/warranty

18. 10 year cylinder and SuperFlue warranty, 5 year labour on cylinder and SuperFlue, 1 year parts and labour warranty on all other components for domestic (non-commercial) installations. Conditions apply, see the Rheem warranty set out in the product's Owner's Guide or view it at www.rheem.com.au/warranty

Some applications require a tempering valve in accordance with AS/NZS 3500:4.

RHEEM CONTINUOUS FLOW HOT WATER PRODUCT DATA

	Rheem 12		Rheem 16		Rheem 18		Rheem 20		Rheem 24		Rheem 27		Rheem Water Star
Model Number	876612NF/PF	874612NF/PF	876E16NF/PF	874E16NF/PF	876618NF/PF	874618NF/PF	876620NF/PF	874620NF/PF	875624NF/PF 875E24NF/PF	871624NF/PF 871E24NF/PF	876627NF/PF	874627NF/PF	874W27
Maximum Temperature °C	50	60	50	60	50	60	50	60	50	60	50	60	70
Number of Bathrooms	1 – 1.5		1 – 1.5		1 – 1.5		1.5 – 2		2 – 2.5		2.5 – 3		–
Gas Type	Natural Gas/Propane		Natural Gas/Propane		Natural Gas/Propane		Natural Gas/Propane		Natural Gas/Propane		Natural Gas/Propane		–
GAS Energy Rating ★	6 Stars		6 Stars		6 Stars		6 Stars		6 Stars		6.1 Stars		–
Flow Rate L/Min at 25°C Rise	12/Min		16L/Min		18L/Min		20L/Min		24L/Min		27L/Min		–
Minimum Operating Flow Rate	2.7L/Min		2.7L/Min		2.7L/Min		2.7L/Min		2.7L/Min		2.0L/Min		–
Nominal Gas Consumption	94 MJ/Hr		126 MJ/Hr		140 MJ/Hr		153 MJ/Hr		188 MJ/Hr		205 MJ/Hr		–
Dimensions													
A - Height mm	520		520		520		520		565		600		565
B - Width mm	350		350		350		350		350		350		350
C - Depth mm	160		160		160		160		205		215		190
Depth – from wall to Hot Water Outlet	51		51		51		51		127		84		–
Depth – from wall to Cold Water Inlet	43		43		43		43		53		64		–
Depth – from wall to Gas Inlet	45		45		45		45		103		97		–
Weight (empty)	18kg		18kg		18kg		18kg		21kg		23kg		12.5Kg
Max. Water Supply Pressure	1000kPa		1000kPa		1000kPa		1000kPa		1000kPa		1000kPa		800kPa
Min. Water Supply Pressure	140kPa		140kPa		140kPa		140kPa		140kPa		140kPa		–
Cold Water Connection	R ¾ / 20		R ¾ / 20		R ¾ / 20		R ¾ / 20		R ¾ / 20		R ¾ / 20		R ¾ / 20
Hot Water Connection	R ¾ / 20		R ¾ / 20		R ¾ / 20		R ¾ / 20		R ¾ / 20		R ¾ / 20		R ¾ / 20
Gas Connection	R ¾ / 20		R ¾ / 20		R ¾ / 20		R ¾ / 20		R ¾ / 20		R ¾ / 20		–
Temperature Controllers													
Kitchen	299858		299850		299850		299850		299850		299850		–
Bathroom 1	299851		299851		299851		299851		299851		299851		–
Bathroom 2	299852		299852		299852		299852		299852		299852		–
Deluxe Temperature Controllers													
Kitchen	299858		299858		299858		299858		299858		299858		–
Bathroom 1	299859		299859		299859		299859		299859		299859		–
Bathroom 2	299860		299860		299860		299860		299860		299860		–
Accessories													
Pipe Cover	299841		299841		299841		299841		299848		299830		–
Recess Box	299842		299842		299842		299842		299842		299831		–
Rheem EZ Link Kit	290141		290141		290141		290141		N/A		290141		–
Wall Mount Security Kit	–		–		–		–		299868		299868		–
Security Cage	299867		299867		299867		299867		299867		299867		–
Power	–		–		–		–		–		–		240V AC



GLOSSARY OF TERMS

Flamesafe® – a Rheem safety protection feature that automatically shuts down the continuous flow water heater should a fault develop.
Q Factor™ – a Rheem feature that keeps the heater in readiness so hot water delivery is as fast as possible, and at consistent temperature.

Warranty, terms and conditions

19. Guide only, subject to ambient water temperature and pressure, correct pipe sizing and appliance flow rates.
20. 50°C factory pre-set models supply hot water at a maximum 50°C at all outlets in accordance with AS3498. Some applications may require tempering, refer to AS 3500:4. 60°C models must have a tempering valve installed in accordance with AS 3500:4
21. Warranty Conditions: 10 Years parts and 3 Years labour on Heat Exchanger, 3 Years parts & labour on other components, when installed in a domestic dwelling. For all other installations, the warranty period is 1 Year parts and labour on Heat Exchanger and other components. Conditions apply, see the Rheem warranty set out in the product's Owner's Guide or view it at www.rheem.com.au/warranty

22. Rheem Water Star warranty: 5 year supply on cylinder, 3 year supply & labour on cylinder, 1 year full parts & labour. Conditions apply, see the Rheem warranty set out in the product's Owner's Guide or view it at www.rheem.com.au/warranty
23. Applies to 70°C capable models when set to 70°C.

CONTACT US

Rheem Australia Pty Ltd

ABN 21 098 823 511

Head Office

1 Alan Street,
Rydalmere NSW 2116
Australia

PO Box 7508,
Silverwater NSW 2128
Australia

National Sales Phone: 132 552

National Service Phone: 131 031

www.rheem.com.au

® Registered Trademark of Rheem Australia Pty Ltd
TM Trademark of Rheem Australia Pty Ltd