

LOMAX[®] SYSTEM

MODULAR HOARDING AND FENCING SOLUTIONS
COMPACT | REUSABLE | FREESTANDING

COMPLETELY FREE-STANDING HOARDING

Designed and structurally engineered to free-stand up to a massive 8mH with no fixings or bracing required to anything



AS4687 compliant
One counter-weight solution for both hoarding & fencing
Structurally engineered

NO MOVEMENT

Specifically designed and engineered to support cross bracing – this ensures the hoarding can't move or snake out of position post-install



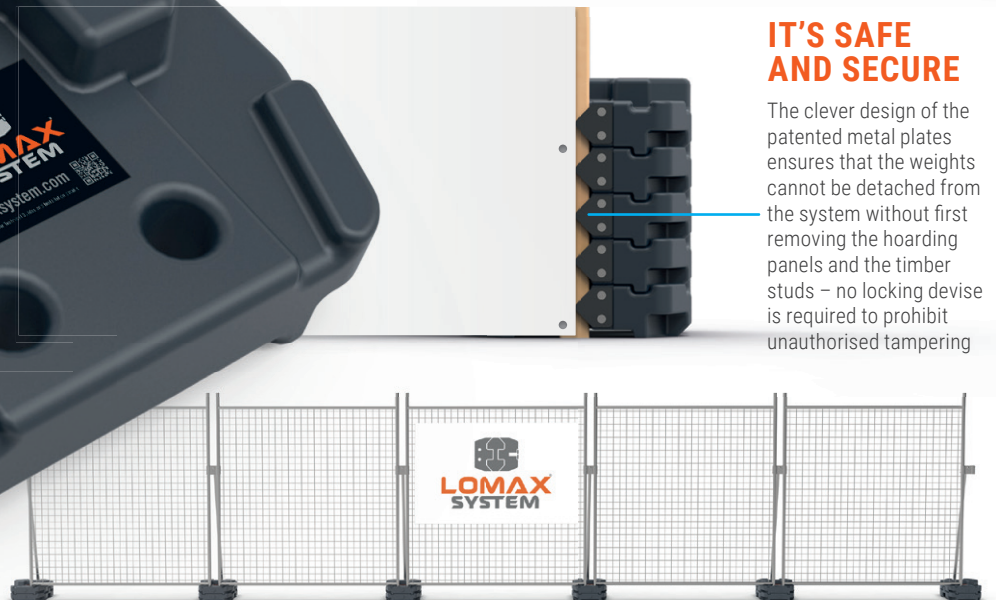
SIMPLE AND SAFE CONSTRUCTION PROCESS

We've done the AS4687 testing for you! A modular A-Class hoarding system that is safe, compact, free-standing (up to 8mH) and pre-certified for compliance by an external structural engineer



IT'S SAFE AND SECURE

The clever design of the patented metal plates ensures that the weights cannot be detached from the system without first removing the hoarding panels and the timber studs – no locking device is required to prohibit unauthorised tampering



'SAFE PEDESTRIAN ZONE'
WITH ONLY 3CM PROTRUDING

For all enquiries, please contact:

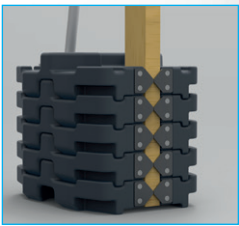
Lomax System
1300 0 LOMAX
1300 0 56629
lomaxsystem.com

LOMAX[®] SYSTEM – COUNTERWEIGHT FEATURES

Interconnecting shape – specifically designed to restrict movement in any direction when stacked



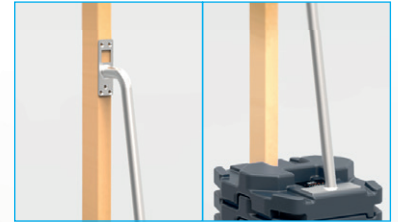
Stud recess – Uses standard 4x2 MPG 10 timber – logically orientated on the strong axis for enhanced stability



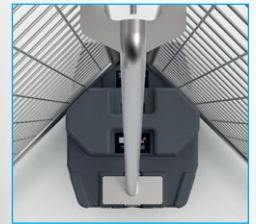
Patented metal plates, cleverly support the pine stud and secure it in place

Easy to carry handles

32mm OD fence post holes means it can be used for both hoarding and fencing, as one multi-tasking solution



Support post readily inserts into post holes to create a high fulcrum point offering enhanced stability



Angled brick design allows fence posts to have a 90 degree angle for corners

Supports cross bracing so the hoarding won't 'snake' out of position once it's installed



WHY CHOOSE THE LOMAX[®] SYSTEM?

IT'S COMPACT – At only 46cm deep as a single stack of weights, it's the narrowest free-standing system currently on the market

IT'S PRE-CERTIFIED – With a pre-certified design you just follow the instructions for an engineer pre-certified solution every time

IT'S FREE-STANDING – no fixings required to anything for indoor or outdoor applications

IT'S SMARTER – Only requires standard 'off the shelf' 4x2 MPG 10 timber (non-ribbed) for compliance

IT'S LIGHT – Requiring less weight per m² to build when fitted with the support post, making transport easier and cheaper

IT'S STABLE – Once installed, the support post creates a high fulcrum point giving enhanced stability with the least amount of weights

IT'S SIMPLE – Very easy modular build process

IT'S EASY – Easy assembly and easy to move around – great for staging projects

IT'S GREAT VALUE – Cost effective hire or purchase options

IT'S FLEXIBLE – Can easily work with a wide range of surface gradients, slopes and steps

IT'S SAFE AND SECURE – once installed correctly, the clever design ensures that the weights cannot be removed before the panels



IT'S MULTI-TALENTED – the system offers both hoarding and fencing configurations from the same counter-weight (see LOMAX[®] Technical guide)



INDOOR HOARDING IMPACTED-RATED MODULAR CONFIGURATIONS

Structurally engineered and impact tested from both the front and rear of the hoarding for compliance to AS4687



COMPACT BY DESIGN

A single stack of weights is only 46cm deep – This is the narrowest counter-weight solution available.



CLEVER SUPPORT POST

A support post extends upwards from the counterweights to ensure the fulcrum point of the system is higher / increased – This offers enhanced stability with the least amount of weights.

KEEP ON STACKING

The interconnecting shape is engineered and designed to restrict movement in any direction, allowing continuous stacking.



TIMBER STUD ORIENTATION

The standard MPG10 90x45 (4x2) timber is logically orientated on the strong axis for extra strength, cleverly held in place with patented metal plates, so it can handle multiple panel thicknesses.

COMPLETELY FREE-STANDING

Designed and structurally engineered to free-stand up to a **massive 8mH** with no fixings or bracing required to anything

8mH example shown – only 9 x LOMAX Counter-weights required



INDOOR IMPACT RATED HOARDING – LOW HEIGHT PERIMETER (1.2MH)

ASSEMBLE IMPACT CERTIFIED AND WIND-RATED HOARDING IN 5 SIMPLE STEPS:

1. Stack LOMAX® counter-weights



2. Insert standard 90x45 (4x2) MPG 10 stud (non-ribbed)

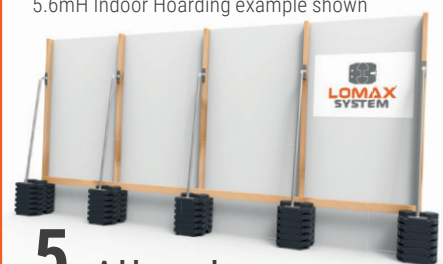


3. Insert LOMAX® Support Post

4. Attach panels



5.6mH Indoor Hoarding example shown



5. Add cross beam

USER TO FOLLOW SPECIFIC GUIDE FOR COUNTER-WEIGHT QUANTITY REQUIREMENT
Simply increase the weight quantity for additional panel height or wind speed requirement

SAFE, COMPACT, FREE-STANDING AND STRUCTURALLY ENGINEERED

The 'Lomax System' offers a range of modular products that can be deployed to build multiple indoor or outdoor A-Class hoarding configurations that are all structurally engineered for compliance – plus, it can be cleverly used to construct bespoke 'safe pedestrian zone' fencing solutions.

All of our hoarding configurations have been tested in accordance with AS4687 (Australian Hoarding and Fencing Code) and Structural Engineering Compliance Certificates are provided with every installation, purchase or hire.

Our indoor hoarding solutions have an extremely narrow footprint of only 46cm and can completely free-stand up to massive 8mH.

Our outdoor hoarding configurations offer a range of free-standing solutions up to heights up to 4mH and wind-speed capabilities up to 34m/s (122.4Kph).



OUTDOOR WIND-RATED EXAMPLES:

NO FIXINGS REQUIRED TO ANYTHING.

2.4M HIGH OUTDOOR WIND RATED HOARDING – (SINGLE STACK) – REAR VIEW



Designed and structurally engineered to free-stand a 2.4mH panel outdoors in windspeeds of up to 24m/s (86.4Kph) with counterweights that are only 46cm deep

2.4M HIGH OUTDOOR WIND RATED HOARDING – (DOUBLE STACK) – REAR VIEW



Designed and structurally engineered to free-stand a 2.4mH panel outdoors in windspeeds up to 34m/s (122.4Kph) with a double stack of counterweights that are only 92cm deep

3.6M HIGH OUTDOOR WIND RATED HOARDING – (DOUBLE STACK) – REAR VIEW

Designed and structurally engineered to free-stand a 3.6mH panel outdoors in windspeeds up to 33m/s (118.8Kph) with a double stack of counterweights that are only 92cm deep



All hoarding configurations have been tested and certified by an independent structural engineer

LOMAX[®] – ‘SAFE PEDESTRIAN ZONE’ FENCING SOLUTION



A common feature of traditional fencing solutions is that the counter-weight protrudes from the front of the fencing panel and can create a trip hazard in what is commonly considered a ‘pedestrian zone’. The Lomax System has a fencing solution that has been designed so that in a straight line, only 3cm of counter-weight protrudes and as such eliminates this hazard and offers a ‘Safe Pedestrian Zone’ solution every time.

All our modular fencing configurations have been tested and approved by an independent structural engineer to comply with AS4687. Additional advice should be independently sought to ensure the correct modular solution is deployed for your site-specific location, wind conditions, shade and signage requirements.



The Lomax[®] System is capable of offering both hoarding and fencing configurations from the same counter-weight (See Lomax Technical Guide for further info)

32mm OD fence post holes fit standard 32mm OD fencing



**‘SAFE PEDESTRIAN ZONE’
WITH ONLY 3CM PROTRUDING**

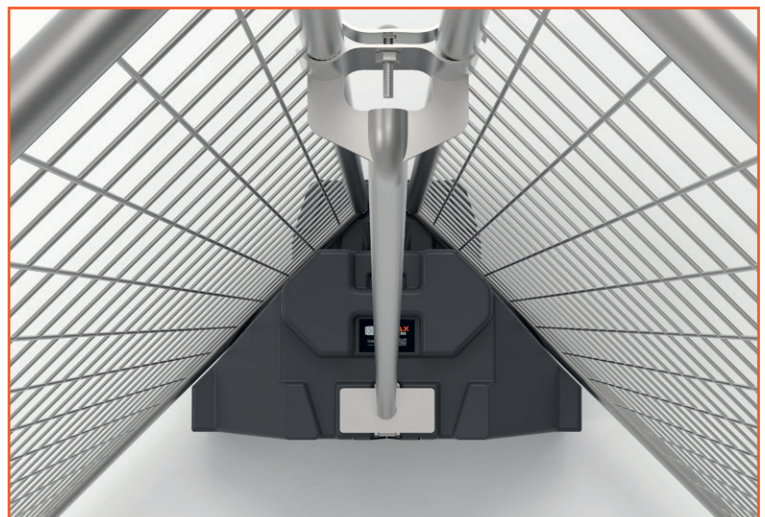
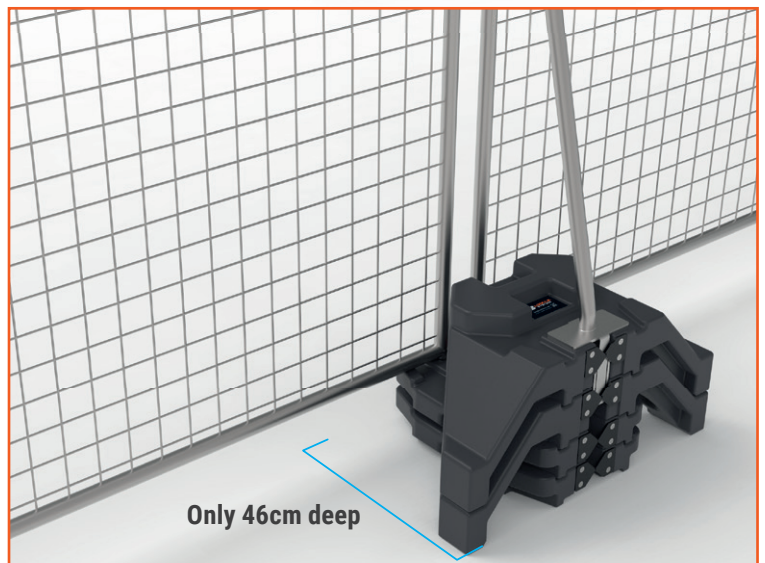
Only 3cm protruding

THE FENCING SADDLE COUNTERWEIGHT

FOR INCREASED STABILITY WHEN USED OUTDOORS

Most job-sites have very limited working space, so keeping your fencing system footprint as narrow as possible, whilst still maintaining safety and compliance for your site specific conditions is critical.

This 30Kg Fencing Saddle Counterweight is cleverly designed to nest perfectly on top of the standard 18Kg counterweight, so that additional mass can be applied without increasing the total system depth or requiring any additional 'back-bracing'.



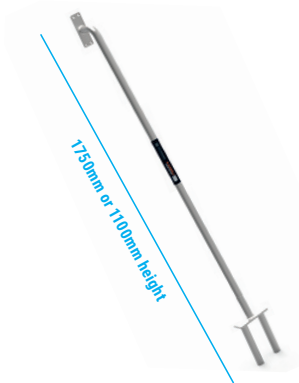
COMPONENTS



LOMAX STANDARD COUNTERWEIGHT (HOARDING AND FENCING APPLICATIONS)

- 90x45mm (4x2) recess designed to receive either a vertical hoarding timber stud or a fencing support post
- Integrated metal plates to retain either the timber stud or the fencing support post
- 32mm OD holes to receive hoarding support posts or fencing panels
- Horizontal track to receive hoarding crossbeam support timbers
- Easy carry handles
- Interlocking shape for secure stacking
- 18Kg weight

HOARDING COMPONENTS



LOMAX SUPPORT POSTS - LARGE AND SMALL

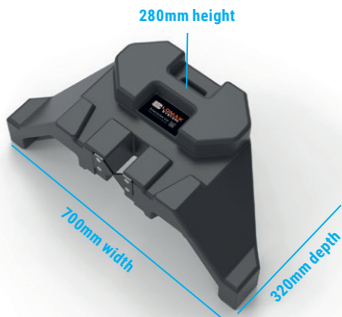
- 2 x 32mm OD guide-prongs to slide into Full Sized Counterweight
- Galvanised steel construction for strength and durability
- Easy to stack, store and transport
- 5Kg weight



LOMAX DOUBLE SUPPORT POSTS

- 4 x 32mm OD guide-prongs to slide into double stacked Full Sized Counterweights
- Galvanised steel construction for strength and durability
- Easy to stack, store and transport
- 9Kg weight

FENCING COMPONENTS



LOMAX SADDLE COUNTERWEIGHT

- 90x45mm (4x2) recess designed to receive fencing support post
- Integrated metal plates to retain the fencing support post
- Easy carry handles
- Interlocking shape for secure stacking on top of the Standard Counterweight
- 30Kg weight



LOMAX FENCING SUPPORT POSTS

- 90x45mm (4x2) shaped base to fit into the recess in the Counterweights
- Integrated panel clamp (separate loose clamp not required)
- Galvanised steel construction for strength and durability
- Easy to stack, store and transport
- 5Kg weight