

MULTIMEDIA LECTERN RANGE

MML-1 | MML-2 | MML-3

You'll never settle for anything less.



Integrate your audio-visual equipment for ease of use



Multimedia

Securely store your audio visual equipment. Select from 8 RUs to a generous 40 RUs storage capacity.



Height adjustable

Adjust the vertical height by a simple push of a button. An ergonomic essential.



Configure to your needs

Select from a range of options to enhance such aspects as storage, security and portability.



Add your branding

Enhance your brand and professional appearance by adding your logo and colours.

LECTERN
hub

Visit our showroom or browse online at www.jemson.com.au

THE MML RANGE



Multimedia



Height adjustable



Configure to your needs



Add your branding

ONCE YOU USE A JEMSON LECTERN, YOU'LL NEVER SETTLE FOR ANYTHING LESS.

You can tell right away these lecterns are a family. Same sturdy build, same stylish lines, same Jemson quality. Each sharing the same smart considerations that set them apart from anything else.

360° Accessibility: Full access to all sides of the top rail equipment rack. Quick release of the modesty panel grants access to the front racks. Removable base and leg covers provide access to internal cables. Knockouts in the base can be punched out to pass cables through the base or up through the floor.

Storage: MML-1 is the lightest, most compact lectern in this range offering 8 RUs of rack space. Move up the line to MML-2

and MML-3 and you'll discover 16 RUs as standard with an additional 24 RUs on offer with the optional Base Rack Assembly.

Security: Equipped with a single key lock-up solution in addition to a security panel to prevent theft of rear mounted equipment.

Ventilation: Ample ventilation eliminates the need for cooling fans.

Electronic height adjustment: Provides 290mm of vertical range at the push of a button.

Shipping: Shipped fully assembled, ready to be integrated with all of your equipment.

STANDARD FEATURES

- + Front & rear top rail mounting
- + 360° access to audio visual equipment
- + Removable leg and base covers
- + Knockouts in base
- + Single key lock up
- + Ventilation
- + Electronic height adjustment
- + Cup holder

CONFIGURE TO YOUR NEEDS

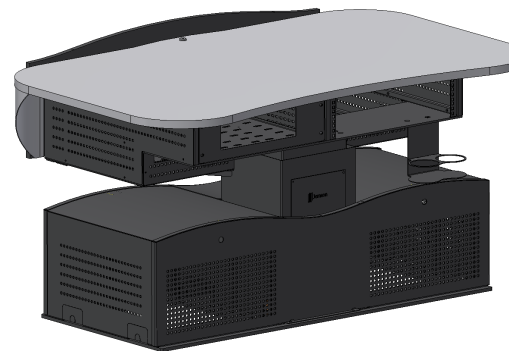
- + Bench top cutouts
- + Additional RU space (MML-2 & MML-3)
- + Shelving
- + Lockable caster wheels

ADD YOUR BRANDING

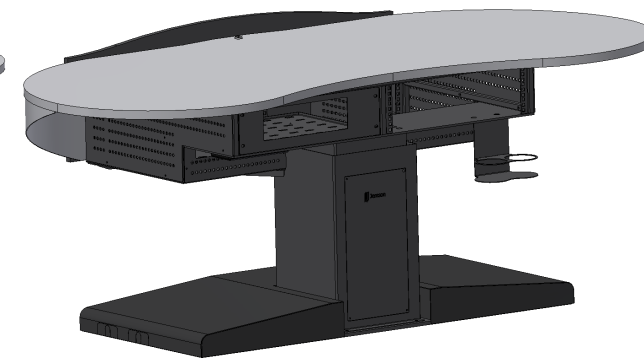
- + Choice of finish and colours
- + Add your logo & name



MML-1
Bench top: 1000mm x 820mm x 25mm
Storage: 8 RUs (rack units)



MML-2*
Bench top: 1500mm x 920mm x 25mm
Storage: 16 RUs standard. Upgrade to 40 RUs.



MML-3
Bench top: 2000mm x 920mm x 25mm
Storage: 16 RUs standard. Upgrade to 40 RUs.

*Pictured with optional Base Rack Assembly providing an additional 24 RUs storage.

CONFIGURE TO YOUR NEEDS

Visit our Showroom in Hallam Victoria
or contact us to arrange a FREE,
no obligation quote.



THE POSSIBILITIES EXTEND BEYOND YOUR SIMPLE SPEAKING LECTERN.

The difference between Jemson and other lectern manufacturers is our ability to work with our clients and their custom requests. Benefit from innovative solutions combining unique ideas, stunning designs and supreme functionality.

Configure to your needs: Discover the range of options available to you, enhancing such lectern aspects as storage, security, portability and individuality.



View on YouTube

Add your identity: Choose the colour and finish for your bench top and modesty panel. Print your name and logo directly onto the modesty panel to compliment your presentation environment.



Lockable castor wheels, allowing for effortless manoeuvrability and secure positioning during use.



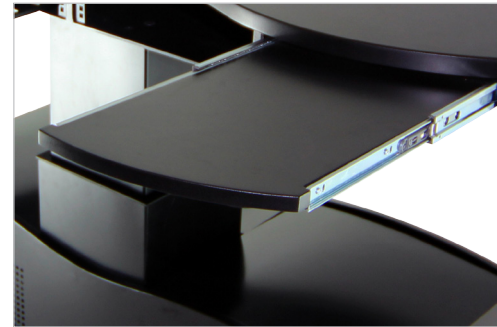
Cup holders, conveniently located within easy reach. Avoid spills on AV equipment.



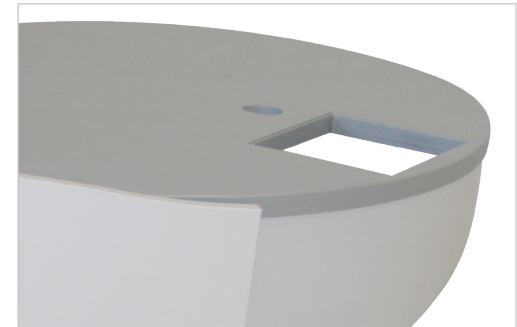
Slide out metal tray, for easy access to audio-visual equipment.



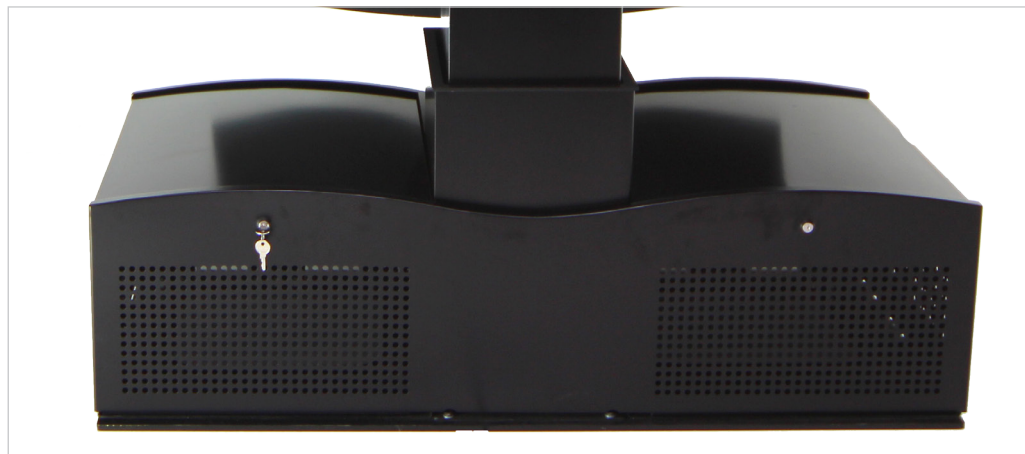
Quick release modesty panel, drops down for convenient access to front rail mounting racks.



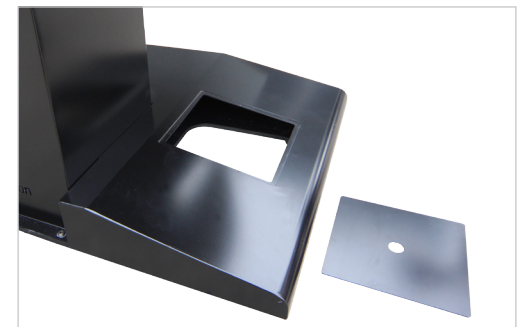
Slide out shelves, to expand your work surface.



Bench top cutouts, at time of manufacture saves you cutting holes in the bench top to install your equipment.



Base Rack Assembly, allows you to increase the standard 16 RU capacity to a further 24 RU for MML-2 and MML-3. That's a total of 40 RU providing generous storage for all your equipment. Featuring lockable access from front and back with natural convection cooling design: no need for an additional fan.



Base cover plate, for easy access to cables.

MML RANGE | SPECIFICATIONS



Electronic height adjustment, a standard feature across the range. With the push of a button, electronically raise or lower a lectern's height within a range of 290mm.



We have over 30 years experience designing and building podium lecterns, workstations, interactive tables and specialised multimedia lecterns.

Visit our Showroom in Hallam Victoria or contact us to arrange a free, no-obligation quote.

Address 8 Westpool Drive, Hallam Vic 3803
 Phone +61 3 9702 3979
 Email info@jemson.com.au
 Web www.jemson.com.au

Jemson reserves the right to change specification and design of products described in this literature without notice.

Product	MML-1	MML-2	MML-3
Dimensions			
Bench Top	1000mm x 820mm x 25mm	1500mm x 920mm x 25mm	2000mm x 920mm x 25mm
Height adjustment range	290mm	290mm	290mm
Rack Unit (RU) capacity			
Standard capacity	8 RUs	16 RUs	16 RUs
Optional (Base rack assembly)	-	24 RUs	24 RUs
Features			
Electronic height adjustment	✓	✓	✓
Front & rear top rail mounting equipment	✓	✓	✓
Concealed cable management	✓	✓	✓
Removable leg covers	✓	✓	✓
Removable base plate cover	NCO	NCO	NCO
Knockouts in base	NCO	NCO	NCO
Base rack assembly	-	O	O
Cup holder	✓	✓	✓
Bench top cutouts	NCO	NCO	NCO
Options			
Castor wheels	O	O	O
Input panel	O	O	O
Slide out metal tray	O	O	O
Slide out shelf	O	O	O
Monitor arm	O	O	O
Microphone	O	O	O
LED light	O	O	O
Add your Branding			
Bench top colour	O	O	O
Modesty panel colour	O	O	O
Print your logo on modesty panel	O	O	O
Warranty	5 Years	5 Years	5 Years

✓ Standard O Optional NCO No cost option