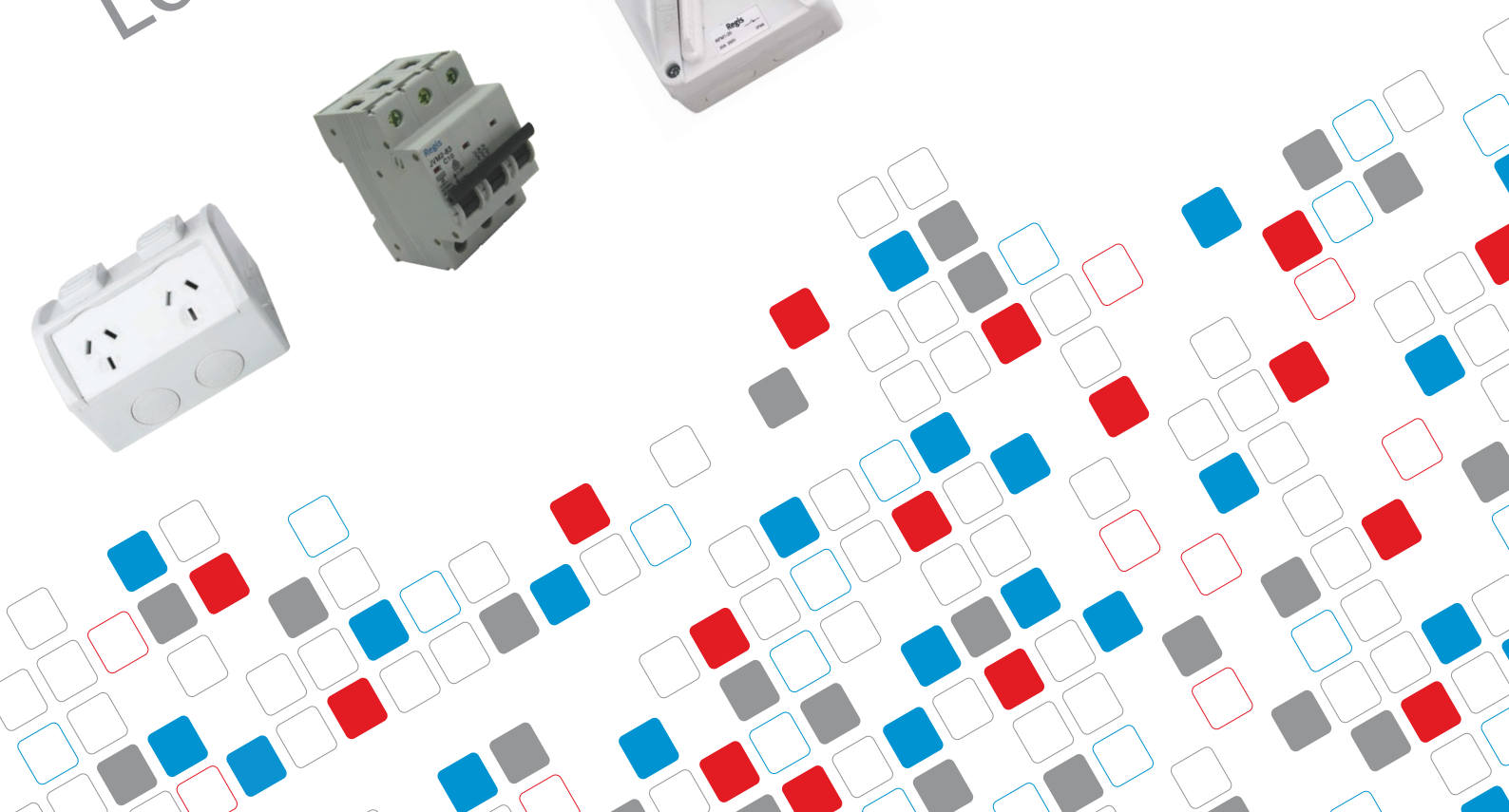


Regis
Quality

Electrical Products

Low Voltage Catalogue 2013



CONTENTS

<input type="checkbox"/>	MAIN SWITCHES _____	6 - 9
<input type="checkbox"/>	MINIATURE CIRCUIT BREAKERS _____	10 - 13
<input type="checkbox"/>	RCD'S & RCBO'S _____	14 - 19
	RCBO'S: RESIDUAL CURRENT CIRCUIT BREAKER WITH OVERLOAD	14 - 17
	RCD'S: RESIDUAL CURRENT DEVICE	18 - 19
<input type="checkbox"/>	STARTERS _____	20 - 21
	ENCLOSED DOL STARTERS	20
	STAR DELTA STARTERS	21
<input type="checkbox"/>	CONTACTORS AND ACCESSORIES _____	22 - 31
	CONTACTORS	22 - 23
	DIN CONTACTORS	24
	COILS	25
	THERMAL OVERLOADS	26-27
	MOUNTING BASE	28
	OVERLOAD TERMINAL BLOCK	29 - 30
	TOP MOUNTED	29
	SIDE MOUNTED	30
	MECHANICAL INTERLOCKS	31
	TIME DELAY CONTACT - PNEUMATIC	31
<input type="checkbox"/>	BUTTONS, ROTARY SWITCHES AND INDICATOR LAMPS _____	32 - 35
	PUSH BUTTONS	32-33
	DIN MOUNTED	32
	PANEL MOUNTED	33
	ROTARY SWITCH	34
	INDICATOR LAMPS	35
<input type="checkbox"/>	SURGE PROTECTORS _____	36
<input type="checkbox"/>	TIMERS _____	37 - 39
	TIMER SWITCHES	37
	MULTIFUNCTION TIMER	38
	TIME DELAY CONTACT - PNEUMATIC	39
<input type="checkbox"/>	KILOWATT HOUR METERS AND ACCESSORIES _____	40 - 43
	PANEL MOUNTED	40
	DIN MOUNTED	41 - 42



To Order Now Phone: 1300 797 747

F: +61 (0)7 5564 6638 E: info@sourceco.com

<input type="checkbox"/>	CURRENT TRANSFORMERS	43
<input type="checkbox"/>	WEATHER PROTECTED SWITCHGEAR	44 - 58
	ISOLATORS	44
	GENERAL POWER OUTLETS	45
	SWITCHES	46
	PLUGS	47- 50
	SOCKET EXTENSIONS	51
	COMBINATION SWITCH & SOCKETS	52
	SWITCHES COMMERCIAL / INDUSTRIAL	53
	SOCKET OUTLETS	54
	RCD PROTECTED OUTLETS	55
	ENCLOSURES	56 - 58
<input type="checkbox"/>	ENCLOSURES	59 - 61
	SURFACE MOUNTED	59 - 61
	FLUSH MOUNTED	60 - 61
<input type="checkbox"/>	ELECTRICAL & SWITCHBOARD ACCESSORIES	62 - 66
	ACTIVE LINKS	62
	CABLE GLANDS	63
	BUS COMBS	63
	CABLE TIES	64
	CABLE LUGS	65
	CABLE JOINERS	66
	DIN RAIL	66
	BUSBAR INSULATORS	66
<input type="checkbox"/>	HOUSE PACK 12 & POLE FILLER	67
<input type="checkbox"/>	EMERGENCY LIGHT TEST KITS	68
<input type="checkbox"/>	TEMPORARY POWERBOARDS	69 - 70
<input type="checkbox"/>	SWITCHBOARDS & SOLAR SOLUTIONS	71
<input type="checkbox"/>	BUSDUCT	72
<input type="checkbox"/>	WARRANTY	74 - 75



To Order Now Phone: 1300 797 747

F: +61 (0)7 5564 6638 E: info@sourceco.com



ABOUT US

Regis: Quality Electrical Products.

The only difference you'll notice is the price.

Regis brand electrical products provide the highest quality at a reasonable price point. The company is run by sparkies for sparkies. We know the market. We know what you have to deal with. We are here to help make your business run easier.

How? It's a globalised economy! None of us can avoid it. We all know that China is the factory for the World, but with the Regis brand we stay true to our patriotic roots by using Aussie brain power to benefit the Australian market. Regis products are manufactured to meet all the high standards Australians demand. But you don't have to take out a second mortgage to afford them!

Using our international team, we take advantage of international salary differentials to ensure Australian quality output without having to pay top-dollar for the service. The savings in operational costs pass through to our customers as we provide the best quality for reasonable dollars.

Using Australian and International Quality Control standards our team check every batch before it leaves the factory. We ensure you get the best quality for your dollar. It's not expensive but it's definitely not rubbish!

The team at Regis come from a wide background of industry segments; working for the big players they learned the ropes from the best and now they bring you the benefits of all this top level experience: Using Australian ingenuity to keep the Australian economy buoyant!

The Regis brand is owned by Source Co Electric Pty Ltd located on the sunny Gold Coast of Queensland. Source Co Limited is a public company with majority ownership in Australia.

Founded by Gary Livermore to inject Australian know-how and services into China (whilst building supply lines from China to the rest of the world), the Source Co group has established lasting global commercial relationships, adding value in all directions.



To Order Now Phone: 1300 797 747

F: +61 (0)7 5564 6638 E: info@sourceco.com

PROFILE

In International Business, it's imperative to control all aspects of the value chain from a macro-perspective and 'on the ground, at the coal face'. This is why Source Co has offices on the Gold Coast, Shanghai and Wenzhou as well as representatives in UK and across Australia.

The multicultural team at Source Co present a wealth of experience at the highest levels in:

- International Product Sourcing/Development,
- Asset/Process Management,
- Supply-Line Management,
- Transaction Management,
- Quality Control,
- Intercultural Communications/Negotiation and Marketing,
- PESTLE Analysis for new markets

Many Source Co staff are fluent in more than one language with multilingual negotiation experience at a senior executive level. This, combined with the management teams' rich commercial experience around the globe (in a variety of industry sectors) equips us with the knowledge and skills to successfully manage International Process Risk and International Communication Risk.

In essence, we absorb the risk in international business. We take the hassle out of commerce so you can enjoy the rewards of your Global Business Decisions risk-free and secure.

And that is why the phrase '*Global Solutions With Confidence*' serves as our value proposition to the world.



To Order Now Phone: 1300 797 747

F: +61 (0)7 5564 6638 E: info@sourceco.com



MAIN SWITCHES

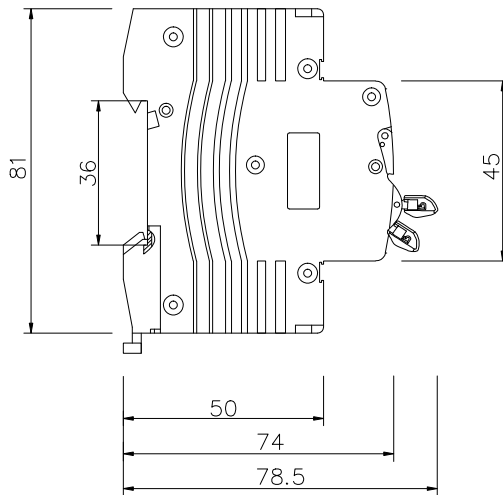
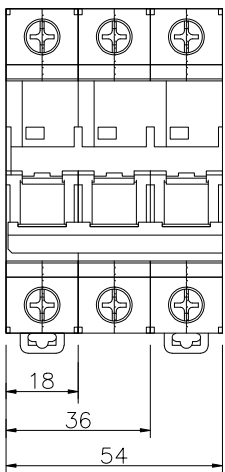


JVD16-63-1P



JVD16-63-3P

Item Number	Description	Terminal Screw Size	Rated Current	Rated Short Circuit Making Capacity	Rated Withstand Current	Duty Cycles
JVD16-63-1P	Main Switch 1 Pole 63A	Rigid conductor 35mm ²	63A	6kA	1kA within 1 sec	10000
JVD16-63-3P	Main Switch 3 Pole 63A	Rigid conductor 35mm ²	63A	6kA	1kA within 1 sec	10000



Description:

Available in single and triple pole configuration

Features:

- DIN rail mounted
- Suitable for domestic, industrial or commercial applications
- Rated currents from 63A



To Order Now Phone: 1300 797 747

F: +61 (0)7 5564 6638 E: info@sourceco.com

MAIN SWITCHES



JVD16-125-1P

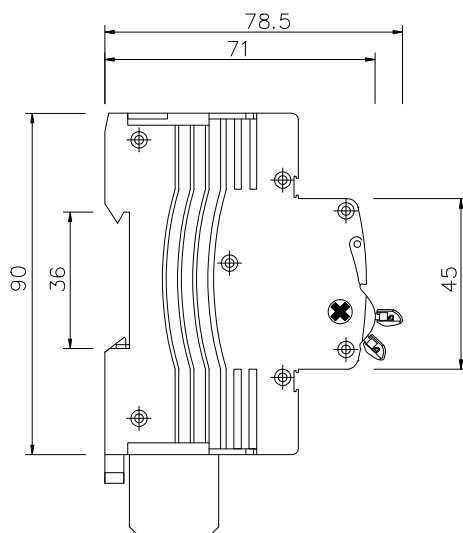
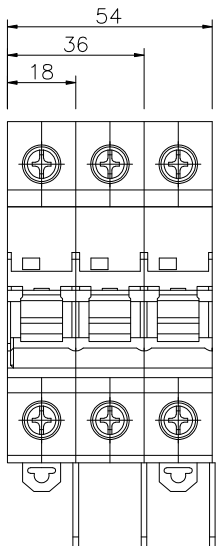


JVD16-125-2P



JVD16-125-3P

Item Number	Description	Terminal Screw Size	Rated Current	Rated Short Circuit Making Capacity	Rated Withstand Current	Duty Cycles
JVD16-125-1P-100	Main Switch 1 Pole 100A	Rigid conductor 35mm ²	100A	6kA	2kA within 1sec	10000
JVD16-125-1P-125	Main Switch 1 Pole 125A	Rigid conductor 35mm ²	125A	6kA	2kA within 1sec	10000
JVD16-125-2P-125	Main Switch 2 Pole 125A	Rigid conductor 35mm ²	125A	6kA	2kA within 1 sec	10000
JVD16-125-3P-100	Main Switch 3 Pole 100A	Rigid conductor 35mm ²	100A	6kA	2kA within 1sec	10000
JVD16-125-3P-125	Main Switch 3 Pole 125A	Rigid conductor 35mm ²	125A	6kA	2kA within 1sec	10000



Description:

Available in single and triple pole configuration

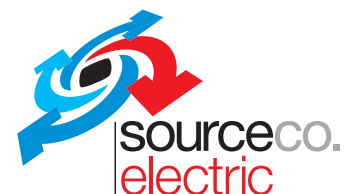
Features:

- DIN rail mounted
- Suitable for domestic, industrial or commercial applications
- Rated currents from 100A and 125A



To Order Now Phone: 1300 797 747

F: +61 (0)7 5564 6638 E: info@sourceco.com



MAIN SWITCHES



JVD2-125-1P

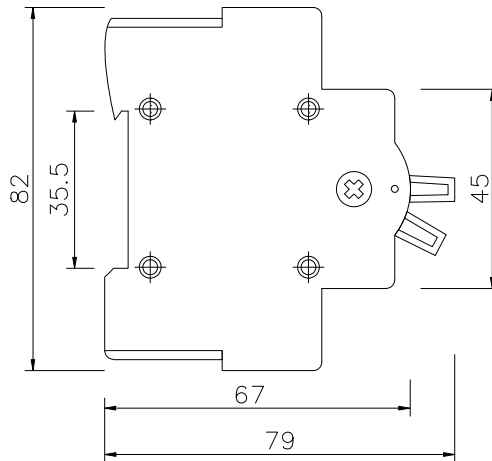
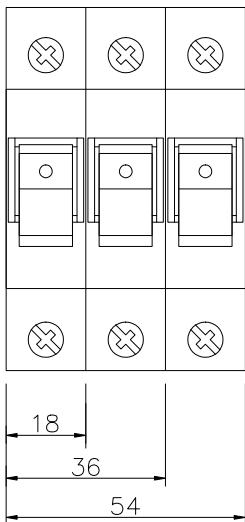


JVD2-125-2P



JVD2-125-3P

Item Number	Description	Terminal Screw Size	Rated Current	Rated Short Circuit Making Capacity	Rated Withstand Current	Duty Cycles
JVD2-125-1P-100	Main Switch 1P 100A Commercial	Rigid conductor 35mm ²	100A	3kA	1.8kA within 1sec	10000
JVD2-125-2P-100	Main Switch 2P 100A Commercial	Rigid conductor 35mm ²	100A	3kA	1.8kA within 1sec	10000
JVD2-125-3P-100	Main Switch 3P 100A Commercial	Rigid conductor 35mm ²	100A	3kA	1.8kA within 1sec	10000



Description:

Available in single and triple pole configuration

Features:

- DIN rail mounted
- Suitable for domestic, industrial or commercial applications
- Rated currents from 100A



To Order Now Phone: 1300 797 747

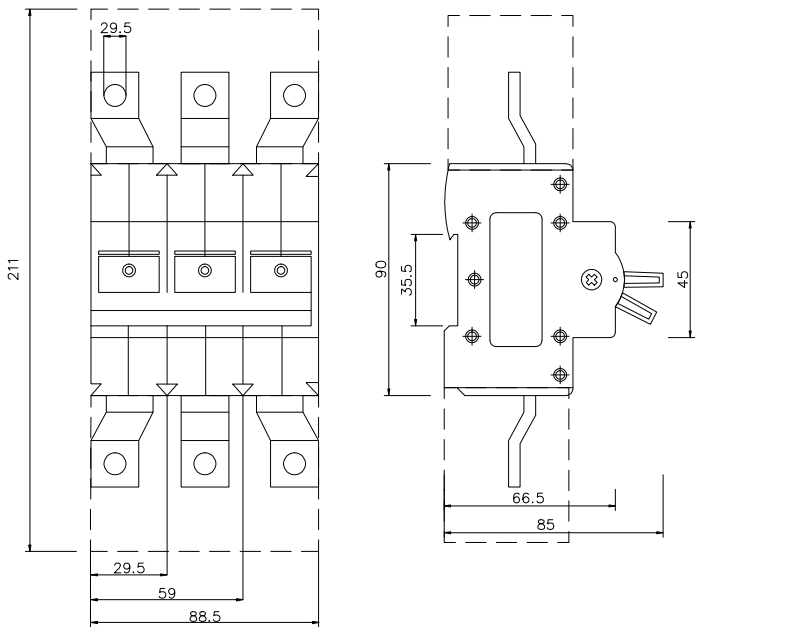
F: +61 (0)7 5564 6638 E: info@sourceco.com

MAIN SWITCHES



JVD2-250-3P

Item Number	Description	Terminal Screw Size	Rated Current	Rated Short Circuit Making Capacity	Rated Withstand Current	Duty Cycles
JVD2-250-3P-250	Main Switch 3P 250A Commercial	Rigid conductor 50mm ²	250A	3kA	3kA within 1 second	10000



Description:

Available in 3 phase only

Features:

- DIN rail mounted
- Suitable for domestic, industrial or commercial applications
- Panel and Distribution Board mountable
- Rated currents from 250A



To Order Now Phone: 1300 797 747

F: +61 (0)7 5564 6638 E: info@sourceco.com



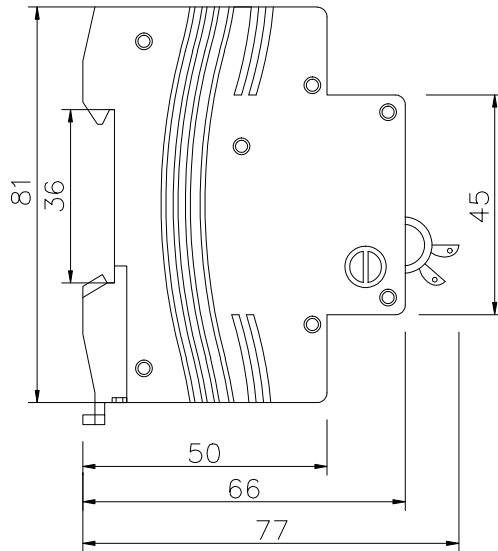
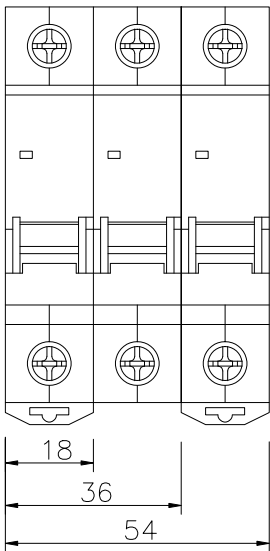
MINIATURE CIRCUIT BREAKERS



JVM2-63-1P



JVM2-63-3P



Description:

Regis series of Miniature Circuit Breakers are a general purpose circuit protection device suited to domestic, commercial and industrial applications.

Features:

- DIN rail mounted
- 6kA
- Rated currents from 6A to 63A
- Single and triple poles
- C-Curve trip characteristics



To Order Now Phone: 1300 797 747

F: +61 (0)7 5564 6638 E: info@sourceco.com

MINIATURE CIRCUIT BREAKERS

Item Number	Description	Terminal Screw Size	Rated Current	Rated Short Circuit Capacity	Energy Limiting Class	Rated Impulse Withstand Voltage	Duty Cycles
JVM2-63-1P-06A	MCB 6kA 1 Pole 6A	Rigid conductor up to 25mm ²	6A	6kA	3	6.2kV	4000
JVM2-63-1P-10A	MCB 6kA 1 Pole 10A	Rigid conductor up to 25mm ²	10A	6kA	3	6.2kV	4000
JVM2-63-1P-16A	MCB 6kA 1 Pole 16A	Rigid conductor up to 25mm ²	16A	6kA	3	6.2kV	4000
JVM2-63-1P-20A	MCB 6kA 1 Pole 20A	Rigid conductor up to 25mm ²	20A	6kA	3	6.2kV	4000
JVM2-63-1P-25A	MCB 6kA 1 Pole 25A	Rigid conductor up to 25mm ²	25A	6kA	3	6.2kV	4000
JVM2-63-1P-32A	MCB 6kA 1 Pole 32A	Rigid conductor up to 25mm ²	32A	6kA	3	6.2kV	4000
JVM2-63-1P-40A	MCB 6kA 1 Pole 40A	Rigid conductor up to 25mm ²	40A	6kA	3	6.2kV	4000
JVM2-63-1P-50A	MCB 6kA 1 Pole 50A	Rigid conductor up to 25mm ²	50A	6kA	3	6.2kV	4000
JVM2-63-1P-63A	MCB 6kA 1 Pole 63A	Rigid conductor up to 25mm ²	63A	6kA	3	6.2kV	4000
JVM2-63-3P-06A	MCB 6kA 3 Pole 6A	Rigid conductor up to 25mm ²	6A	6kA	3	6.2kV	4000
JVM2-63-3P-10A	MCB 6kA 3 Pole 10A	Rigid conductor up to 25mm ²	10A	6kA	3	6.2kV	4000
JVM2-63-3P-16A	MCB 6kA 3 Pole 16A	Rigid conductor up to 25mm ²	16A	6kA	3	6.2kV	4000
JVM2-63-3P-20A	MCB 6kA 3 Pole 20A	Rigid conductor up to 25mm ²	20A	6kA	3	6.2kV	4000
JVM2-63-3P-25A	MCB 6kA 3 Pole 25A	Rigid conductor up to 25mm ²	25A	6kA	3	6.2kV	4000
JVM2-63-3P-32A	MCB 6kA 3 Pole 32A	Rigid conductor up to 25mm ²	32A	6kA	3	6.2kV	4000
JVM2-63-3P-40A	MCB 6kA 3 Pole 40A	Rigid conductor up to 25mm ²	40A	6kA	3	6.2kV	4000
JVM2-63-3P-50A	MCB 6kA 3 Pole 50A	Rigid conductor up to 25mm ²	50A	6kA	3	6.2kV	4000
JVM2-63-3P-63A	MCB 6kA 3 Pole 63A	Rigid conductor up to 25mm ²	63A	6kA	3	6.2kV	4000



To Order Now Phone: 1300 797 747

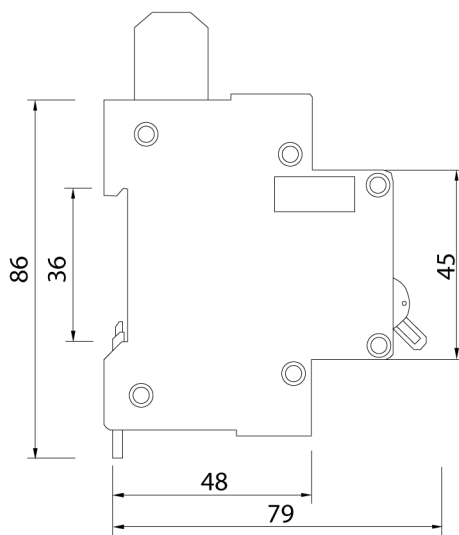
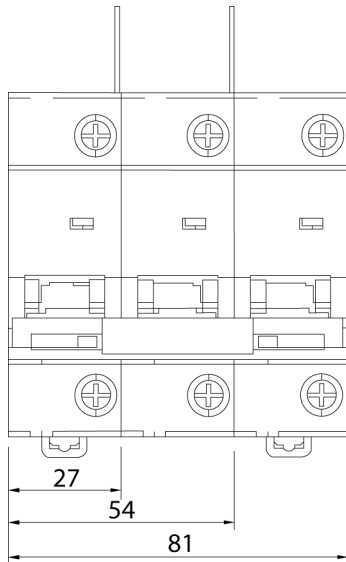
F: +61 (0)7 5564 6638 E: info@sourceco.com



MINIATURE CIRCUIT BREAKERS



JVM16-125-3P



Features:

- DIN rail mounted
- C-Curve trip characteristics
- Rated currents 80A, 100A

Item Number	Description	Terminal Screw Size	Rated Current
JVM16-125-3P-80A	MCB 10kA 3 Phase 4.5 Pole 80A	Rigid conductor up to 50mm ²	80A
JVM16-125-3P-100A	MCB 10kA 3 Phase 4.5 Pole 100A	Rigid conductor up to 50mm ²	100A

Item Number	Rated Short Circuit Capacity	Energy Limiting Class	Rated Impulse Withstand Voltage	Duty Cycles
JVM16-125-3P-80A	10kA	3	6kV	10000
JVM16-125-3P-100A	10kA	3	6kV	10000



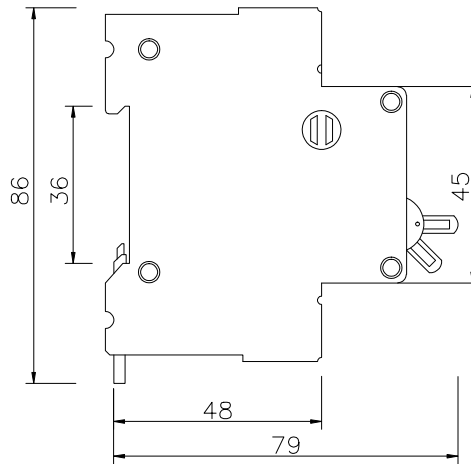
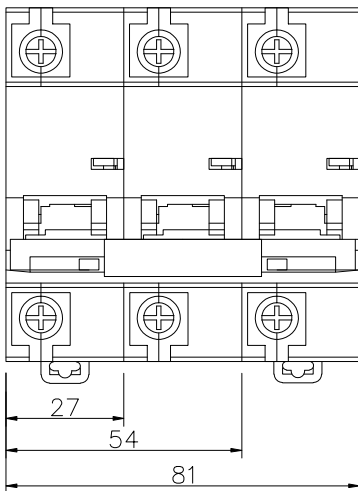
To Order Now Phone: 1300 797 747

F: +61 (0)7 5564 6638 E: info@sourceco.com

MINIATURE CIRCUIT BREAKERS



JVM7-125-3P



Features:

- DIN rail mounted
- C-Curve trip characteristics
- Rated currents 100A, 125A

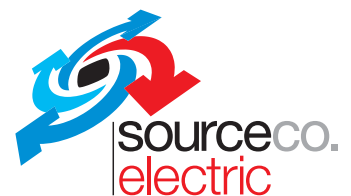
Item Number	Description	Terminal Screw Size	Rated Current
JVM7-125-3P-100A	MCB 10kA 3 Phase 4.5 Pole 100A	Rigid conductor up to 50mm ²	100A
JVM7-125-3P-125A	MCB 10kA 3 Phase 4.5 Pole 125A	Rigid conductor up to 50mm ²	125A

Item Number	Rated Short Circuit Capacity	Energy Limiting Class	Rated Impulse Withstand Voltage	Duty Cycles
JVM7-125-3P-100A	10kA	3	6kV	10000
JVM7-125-3P-125A	10kA	3	6kV	10000



To Order Now Phone: 1300 797 747

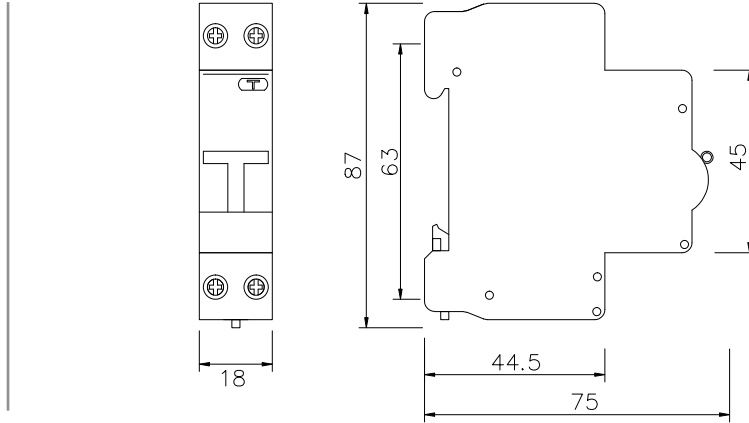
F: +61 (0)7 5564 6638 E: info@sourceco.com



RCBO's: RESIDUAL CURRENT CIRCUIT BREAKER WITH OVERLOAD



LNL25-32



Features:

- DIN rail mounted
- C-Curve trip characteristics
- 1 module wide
- Rated currents from 10A to 25A
- Double Pole, switches both active and neutral

Item Number	Description	Terminal Screw Size	Rated Short Circuit Capacity	Energy Limiting Class	Rated Impulse Withstand Voltage
LNL25-1P 10A	RCBO Mini 6kA 1 Pole 10A	Rigid conductor up to 10mm ²	6kA	3	2kV
LNL25-1P 16A	RCBO Mini 6kA 1 Pole 16A	Rigid conductor up to 10mm ²	6kA	3	2kV
LNL25-1P 20A	RCBO Mini 6kA 1 Pole 20A	Rigid conductor up to 10mm ²	6kA	3	2kV
LNL25-1P 25A	RCBO Mini 6kA 1 Pole 25A	Rigid conductor up to 10mm ²	6kA	3	2kV

Item Number	Rated Residual Operating Current	Rated Conditional Short Circuit Current	Tripping Duration: Instantaneous Tripping	Duty Cycles
LNL25-1P 10A	30mA	6kA	≤0.1s	4000
LNL25-1P 16A	30mA	6kA	≤0.1s	4000
LNL25-1P 20A	30mA	6kA	≤0.1s	4000
LNL25-1P 25A	30mA	6kA	≤0.1s	4000



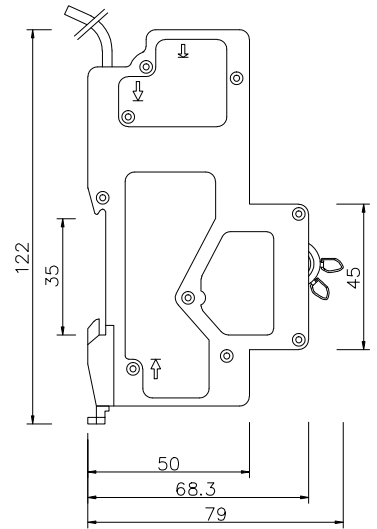
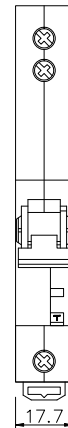
To Order Now Phone: 1300 797 747

F: +61 (0)7 5564 6638 E: info@sourceco.com

RCBO's: RESIDUAL CURRENT CIRCUIT BREAKER WITH OVERLOAD



JVL11-32-1P



Item Number	Description	Terminal Screw Size	Rated Current	Rated Short Circuit Capacity	Energy Limiting Class	Rated Impulse Withstand Voltage
JVL11-32-1P10A	RCBO 10kA 30mA 1 Pole 10A	Rigid conductor up to 16mm ²	10A	10kA	3	4kV
JVL11-32-1P16A	RCBO 10kA 30mA 1 Pole 16A	Rigid conductor up to 16mm ²	16A	10kA	3	4kV
JVL11-32-1P20A	RCBO 10kA 30mA 1 Pole 20A	Rigid conductor up to 16mm ²	20A	10kA	3	4kV
JVL11-32-1P25A	RCBO 10kA 30mA 1 Pole 25A	Rigid conductor up to 16mm ²	25A	10kA	3	4kV
JVL11-32-1P32A	RCBO 10kA 30mA 1 Pole 32A	Rigid conductor up to 16mm ²	32A	10kA	3	4kV

Item Number	Rated Residual Operating Current	Rated Conditional Short Circuit Current	Tripping Duration: Instantaneous Tripping	Duty Cycles
JVL11-32-1P10A	30mA	10kA	≤0.1s	4000
JVL11-32-1P16A	30mA	10kA	≤0.1s	4000
JVL11-32-1P20A	30mA	10kA	≤0.1s	4000
JVL11-32-1P25A	30mA	10kA	≤0.1s	4000
JVL11-32-1P32A	30mA	10kA	≤0.1s	4000

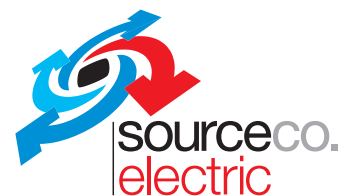
Features:

- DIN rail mounted
- C-Curve trip characteristics
- Single Pole - Active conductor disconnection only
- Rated currents from 10A to 32A



To Order Now Phone: 1300 797 747

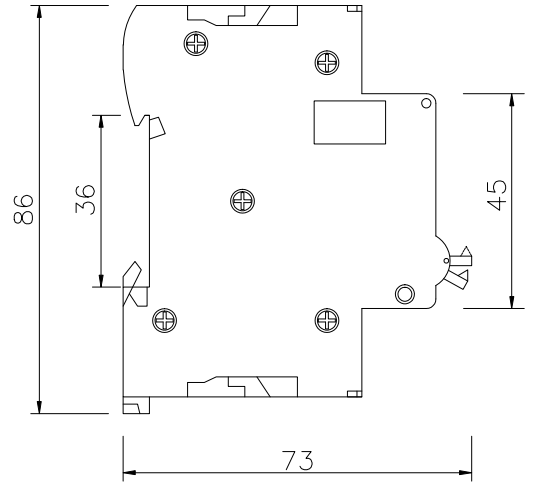
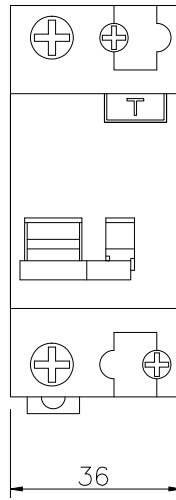
F: +61 (0)7 5564 6638 E: info@sourceco.com



RCBO's: RESIDUAL CURRENT CIRCUIT BREAKER WITH OVERLOAD



JVL5-40-2P



Item Number	Description	Terminal Screw Size	Rated Short Circuit Capacity	Energy Limiting Class	Rated Impulse Withstand Voltage
JVL5-40-2P10A	RCBO 6kA 30mA 2 Pole 10A	Rigid conductor up to 16mm ²	6kA	3	4kV
JVL5-40-2P16A	RCBO 6kA 30mA 2 Pole 16A	Rigid conductor up to 16mm ²	6kA	3	4kV
JVL5-40-2P20A	RCBO 6kA 30mA 2 Pole 20A	Rigid conductor up to 16mm ²	6kA	3	4kV
JVL5-40-2P25A	RCBO 6kA 30mA 2 Pole 25A	Rigid conductor up to 16mm ²	6kA	3	4kV
JVL5-40-2P32A	RCBO 6kA 30mA 2 Pole 32A	Rigid conductor up to 16mm ²	6kA	3	4kV

Item Number	Rated Residual Operating Current	Rated Conditional Short Circuit Current	Tripping Duration: Instantaneous Tripping	Duty Cycles
JVL5-40-2P10A	30mA	6kA	≤0.1s	4000
JVL5-40-2P16A	30mA	6kA	≤0.1s	4000
JVL5-40-2P20A	30mA	6kA	≤0.1s	4000
JVL5-40-2P25A	30mA	6kA	≤0.1s	4000
JVL5-40-2P32A	30mA	6kA	≤0.1s	4000

Features:

- DIN rail mounted
- C-Curve trip characteristics
- Single Pole - Active conductor disconnection only
- Rated currents from 10A to 32A



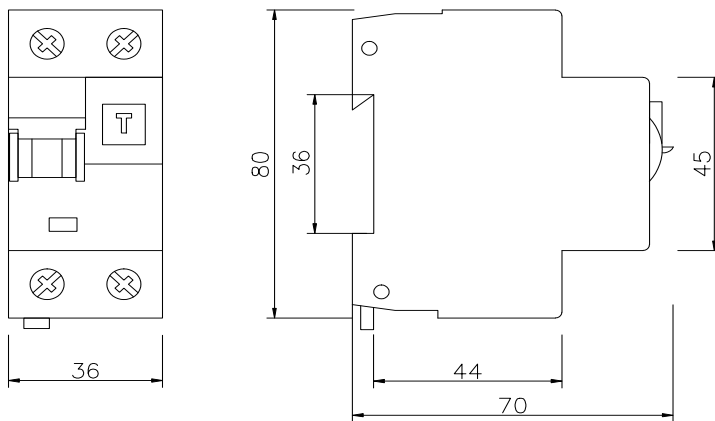
To Order Now Phone: 1300 797 747

F: +61 (0)7 5564 6638 E: info@sourceco.com

RCBO's: RESIDUAL CURRENT CIRCUIT BREAKER WITH OVERLOAD



LNL11 C** A



Features:

- DIN rail mounted
- C-Curve trip characteristics
- Two Pole - Active and neutral disconnection
- Rated currents from 10A to 20A

Item Number	Description	Terminal Screw Size	Rated Short Circuit Capacity	Energy Limiting Class	Rated Impulse Withstand Voltage
LNL11/C10A	RCBO 8kA 30mA 2 Pole 10A	Rigid conductor up to 25mm ²	8kA	3	4kV
LNL11/C16A	RCBO 8kA 30mA 2 Pole 16A	Rigid conductor up to 25mm ²	8kA	3	4kV
LNL11/C20A	RCBO 8kA 30mA 2 Pole 20A	Rigid conductor up to 25mm ²	8kA	3	4kV

Item Number	Rated Residual Operating Current	Rated Conditional Short Circuit Current	Tripping Duration: Instantaneous Tripping	Duty Cycles
LNL11/C10A	30mA	8kA	≤0.1s	4000
LNL 11/C16A	30mA	8kA	≤0.1s	4000
LNL 11/C20A	30mA	8kA	≤0.1s	4000



To Order Now Phone: 1300 797 747

F: +61 (0)7 5564 6638 E: info@sourceco.com



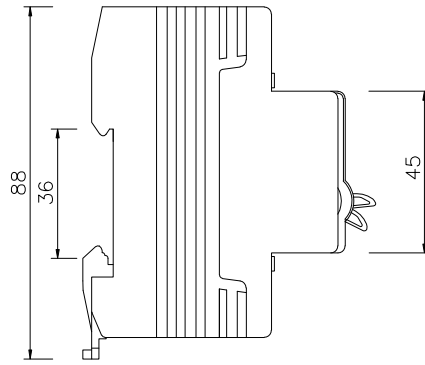
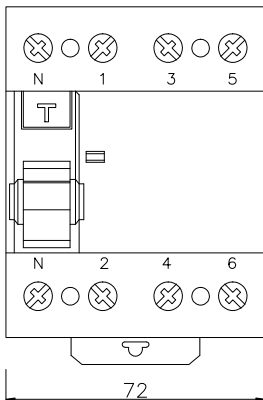
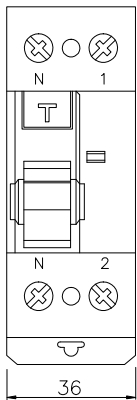
RCD's: RESIDUAL CURRENT DEVICE



JVL1-63-2P



JVL1-63-4P



Features:

- DIN rail mounted
- 30mA rated trip
- Available in 2 and 4 pole
- Rigid conductor up to 25mm²
- Rated currents from 40A to 63A

Item Number	Description	Terminal Screw Size	Rated Short Circuit Capacity	Energy Limiting Class	Rated Impulse Withstand Voltage
JVL1-63-2P40A	RCD 6kA 30mA 2 Pole 40A	Rigid conductor up to 25mm ²	6kA	3	4kV
JVL1-63-2P63A	RCD 6kA 30mA 2 Pole 63A	Rigid conductor up to 25mm ²	6kA	3	4kV
JVL1-63-4P40A	RCD 6kA 30mA 4 Pole 40A	Rigid conductor up to 25mm ²	6kA	3	4kV
JVL1-63-4P63A	RCD 6kA 30mA 4 Pole 63A	Rigid conductor up to 25mm ²	6kA	3	4kV

Item Number	Rated Residual Operating Current	Rated Conditional Short Circuit Current	Tripping Duration: Instantaneous Tripping	Duty Cycles
JVL1-63-2P40A	30mA	6kA	≤0.1s	4000
JVL1-63-2P63A	30mA	6kA	≤0.1s	4000
JVL1-63-4P40A	30mA	6kA	≤0.1s	4000
JVL1-63-4P63A	30mA	6kA	≤0.1s	4000



To Order Now Phone: 1300 797 747

F: +61 (0)7 5564 6638 E: info@sourceco.com

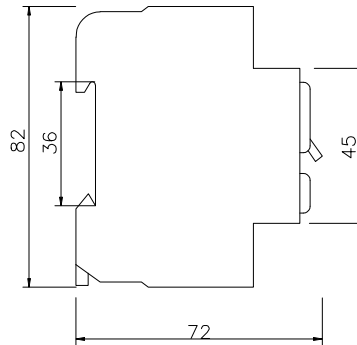
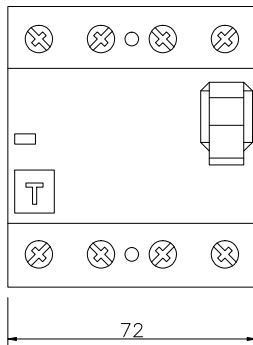
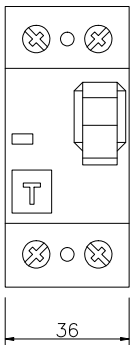
RCD's: RESIDUAL CURRENT DEVICE



JVL25-100-2P



JVL25-100-4P



Features:

- DIN rail mounted
- 30mA rated trip
- Available in 2 and 4 pole
- Rigid conductor up to 25mm²

Item Number	Description	Terminal Screw Size	Rated Short Circuit Capacity	Energy Limiting Class	Rated Impulse Withstand Voltage
JVL25-100-2P 80A	RCD 6kA 30mA 2 Pole 80A	Rigid conductor up to 25mm ²	6kA	3	4kV
JVL25-100-2P 100A	RCD 6kA 30mA 2 Pole 100A	Rigid conductor up to 25mm ²	6kA	3	4kV
JVL25-100-4P 100A	RCD 6kA 30mA 4 Pole 100A	Rigid conductor up to 25mm ²	6kA	3	4kV

Item Number	Rated Residual Operating Current	Rated Conditional Short Circuit Current	Tripping Duration: Instantaneous Tripping	Duty Cycles
JVL25-100-2P 80A	30mA	6kA	≤0.1s	4000
JVL25-100-2P 100A	30mA	6kA	≤0.1s	4000
JVL25-100-4P 100A	30mA	6kA	≤0.1s	4000



To Order Now Phone: 1300 797 747

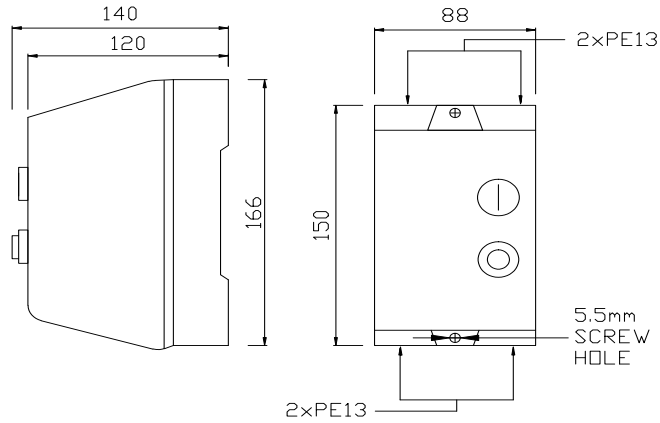
F: +61 (0)7 5564 6638 E: info@sourceco.com



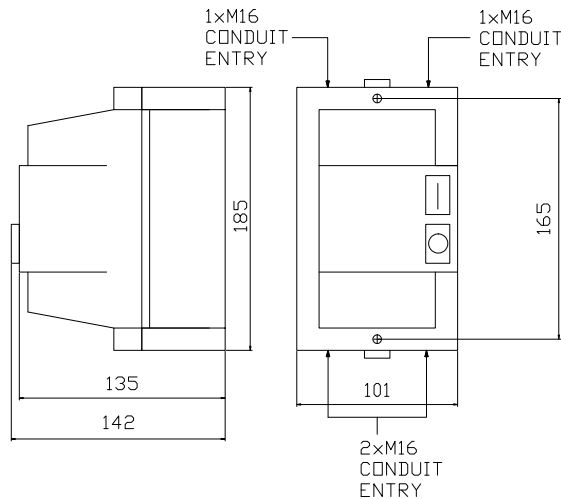
ENCLOSED DOL STARTERS



DOL18-240



DOL25-415



Features:

- Robust Construction
- Available in 7.5kW and 11kW
- IP42

Item Number	Description	Mounting Screw Diameter
DOL18-240	DOL Starter 7.5 kW 240V Without Thermal Overload	5.5mm
DOL18-415	DOL Starter 7.5 kW 415V Without Thermal Overload	5.5mm
DOL 25-240	DOL Starter 11 kW 240V Without Thermal Overload	5.5mm
DOL 25-415	DOL Starter 11 kW 415V Without Thermal Overload	5.5mm

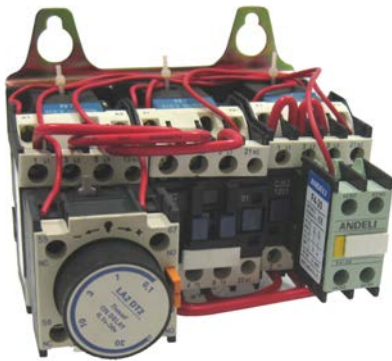
**All DOL Starters do not include Thermal Overloads.
For Thermal Overloads please refer to catalogue page 26 and 27.
Please note that the DOL18 will only accept the TO 1 - TO 25 Thermal Overloads.*



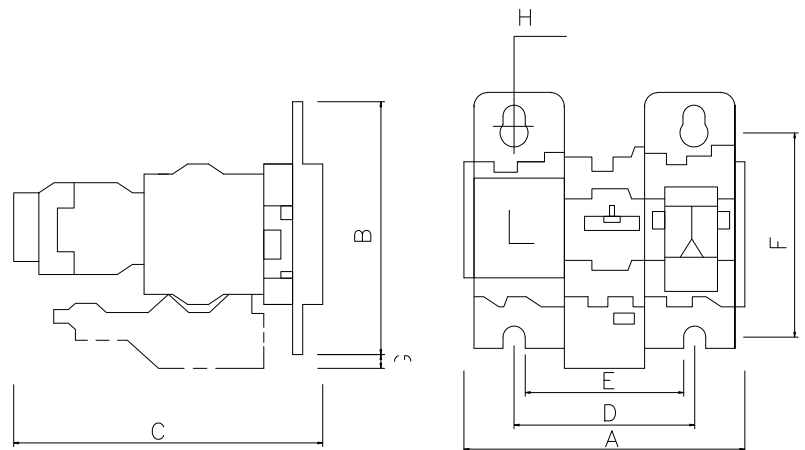
To Order Now Phone: 1300 797 747

F: +61 (0)7 5564 6638 E: info@sourceco.com

STAR DELTA STARTERS



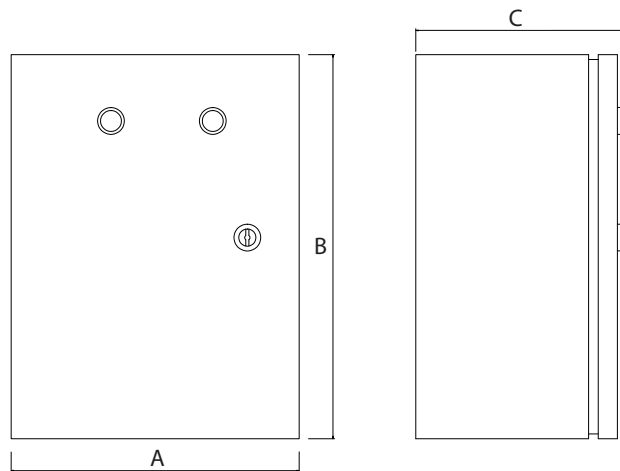
SD7.5-415 Unenclosed



Item Number	Description	A	B	C	D	E	F	H
SD7.5-415	Star Delta Starter 7.5kW Unenclosed	135	122	150	90	84	107	4-M6
SD11-415	Star Delta Starter 11kW Unenclosed							
SD15-415	Star Delta Starter 15kW Unenclosed							
SD25-415	Star Delta Starter 25kW Unenclosed	167	122	162	90	84	107	4-M6
SD30-415	Star Delta Starter 30kW Unenclosed	280	142	178	264	251	105	4-M6
SD37-415	Star Delta Starter 37kW Unenclosed							



SD25E-415 Enclosed



SD25E-415 Enclosed

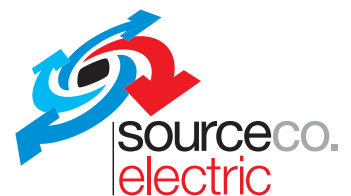
Item Number	Description	A	B	C
SD7.5E-415	Star Delta Starter 7.5kW Enclosed	300	400	200
SD11E-415	Star Delta Starter 11kW Enclosed			
SD15E-415	Star Delta Starter 15kW Enclosed			
SD25E-415	Star Delta Starter 25kW Enclosed	400	600	260
SD30E-415	Star Delta Starter 30kW Enclosed			
SD37E-415	Star Delta Starter 37kW Enclosed			

**Enclosed starters are supplied fully assembled, complete with start and stop buttons and an IP55 rating. Comes standard with 415V Coil. Also available 240V and 24V AC coil. All Star Delta Starters do not include thermal overloads. For thermal overloads, please refer to catalogue page 26 & 27.*



To Order Now Phone: 1300 797 747

F: +61 (0)7 5564 6638 E: info@sourceco.com



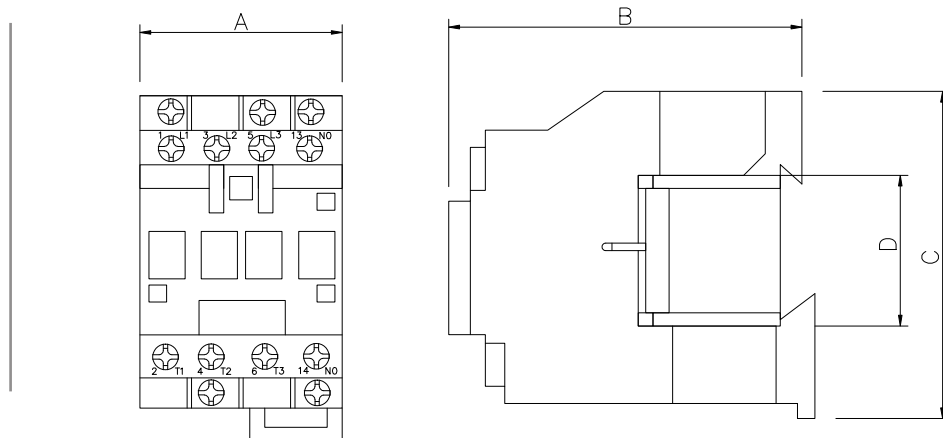
CONTACTORS

Description:

Regis series AC contactors are suitable for use in circuits up to a rated voltage of 660V AC50 or 60Hz and are designed for AC3 operation. The contactors are manufactured according to IEC947-7, VDE0660 and BS5452 standards. Accessories available.



18ACONT18-10-240V



Item Number	Description	Rated Current	AC-3 Motor kW Rating at 400V	Suitable Thermal Overloads	Aux. Contactor	Dimensions (mm)			
						A	B	C	D
09ACONT09-01-240V	Contacteur AC3 9A 01-240V	9A	4kW	JR28-25	1 NC	47	80	76	35
09ACONT09-10-240V	Contacteur AC3 9A 10-240V	9A	4kW		1 NO	47	80	76	35
09ACONT09-10-415V	Contacteur AC3 9A 10-415V	9A	4kW		1 NO	47	80	76	35
12ACONT12-10-24V	Contacteur AC3 12A 10-24V	12A	5.5kW		1 NO	47	80	76	35
12ACONT12-10-240V	Contacteur AC3 12A 10-240V	12A	5.5kW		1 NO	47	80	76	35
12ACONT12-10-415V	Contacteur AC3 12A 10-415V	12A	5.5kW		1 NO	47	80	76	35
18ACONT18-01-240V	Contacteur AC3 18A 01-240V	18A	7.5kW		1 NC	47	85	76	35
18ACONT18-10-24V	Contacteur AC3 18A 10-24V	18A	7.5kW		1 NO	47	85	76	35
18ACONT18-10-240V	Contacteur AC3 18A 10-240V	18A	7.5kW		1 NO	47	85	76	35
18ACONT18-10-415V	Contacteur AC3 18A 10-415V	18A	7.5kW		1 NO	47	85	76	35
25ACONT25-01-240V	Contacteur AC3 25A 01-240V	25A	11kW	JR28-25 & JR28-36	1 NC	57	94	84	35
25ACONT25-01-415V	Contacteur AC3 25A 01-415V	25A	11kW		1 NC	57	94	84	35
25ACONT25-10-240V	Contacteur AC3 25A 10-240V	25A	11kW		1 NO	57	94	84	35
25ACONT25-10-415V	Contacteur AC3 25A 10-415V	25A	11kW		1 NO	57	94	84	35
32ACONT32-10-240V	Contacteur AC3 32A 10-240V	32A	15kW		1 NO	57	100	84	35
32ACONT32-10-415V	Contacteur AC3 32A 10-415V	32A	15kW		1 NO	57	100	84	35

*Also available upon request with 12V, 24V, 32V, 48V, 110V coils. Please contact sales for more information

*NO indicates Normally Open, NC indicates Normally Closed



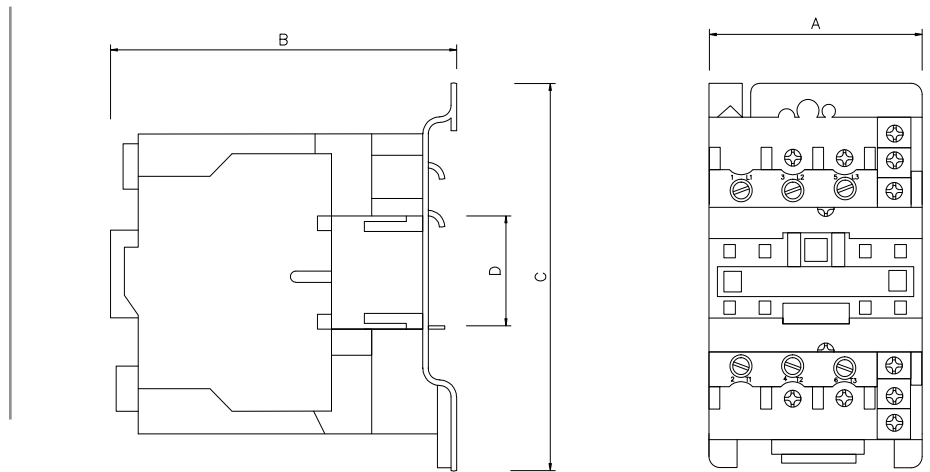
To Order Now Phone: 1300 797 747

F: +61 (0)7 5564 6638 E: info@sourceco.com

CONTACTORS



80ACONT415V



Item Number	Description	Rated Current	AC-3 3 Motor kW Rating at 400V	Suitable Thermal Overloads	Aux. Contactor	Dimensions (mm)			
						A	B	C	D
40ACONT40/11-240V	Contacteur AC3 40A 11-240V	40A	18.5kW	JR28-93	1 NO & 1 NC	76	113	127	35
40ACONT415V	Contacteur AC3 40A 11-415V	40A	18.5kW		1 NO & 1 NC	76	113	127	35
50ACONT240V	Contacteur AC3 50A 11-240V	50A	22kW		1 NO & 1 NC	76	113	127	35
50ACONT415V	Contacteur AC3 50A 11-415V	50A	22kW		1 NO & 1 NC	76	113	127	35
65ACONT240V	Contacteur AC3 65A 11-240V	65A	30kW		1 NO & 1 NC	76	113	127	35
65ACONT415V	Contacteur AC3 65A 11-415V	65A	30kW		1 NO & 1 NC	76	113	127	35
80ACONT240V	Contacteur AC3 80A 11-240V	80A	37kW		1 NO & 1 NC	86	124	127	35
80ACONT415V	Contacteur AC3 80A 11-415V	80A	37kW		1 NO & 1 NC	86	124	127	35
95ACONT240V	Contacteur AC3 95A 11-240V	95A	45kW		1 NO & 1 NC	86	124	127	35
95ACONT415V	Contacteur AC3 95A 11-415V	95A	45kW		1 NO & 1 NC	86	124	127	35

*Also available upon request with 12V, 24V, 32V, 48V, 110V coils. Please contact sales for more information

*NO indicates Normally Open, NC indicates Normally Closed



To Order Now Phone: 1300 797 747

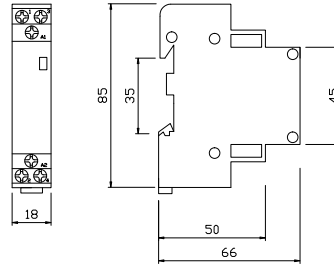
F: +61 (0)7 5564 6638 E: info@sourceco.com



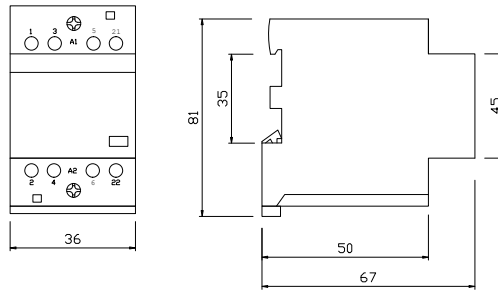
DIN CONTACTORS



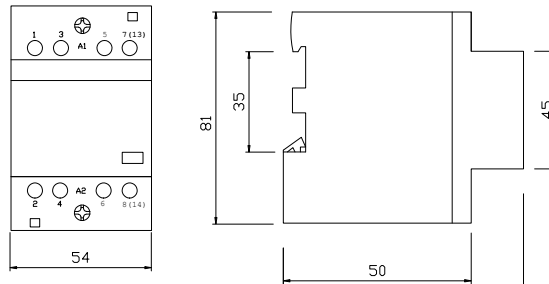
DIN1P2NC



DIN2P3NO/1NC



DIN3P4NO



Item Number	Description	No. of NO/NC Contactors	Rated Current
DIN1P2NC 20A	Contacteur DIN 1P 2NC 20A	2NC	20A
DIN1P2NO 20A	Contacteur DIN 1P 2NO 20A	2NO	20A
DIN2P3NO/1NC 25A	Contacteur Din 2P 3NO/1NC 25A	3NO/1NC	25A
DIN2P4NC 25A	Contacteur Din 2P 4NC 25A	4NC	25A
DIN2P4NO 25A	Contacteur Din 2P 4NO 25A	4NO	25A
DIN3P4NO 40A	Contacteur Din 3P 4NO 40A	4NO	40A
DIN3P4NO 63A	Contacteur Din 3P 4NO 63A	4NO	63A

*NO indicates Normally Open, NC indicates Normally Closed



To Order Now Phone: 1300 797 747

F: +61 (0)7 5564 6638 E: info@sourceco.com

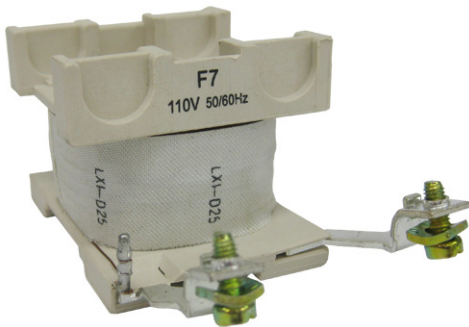
COILS



18ACOIL - D2



32ACOIL - D4



65ACOIL - D6

Item Number	Description
09ACOIL-D2-48V	Coil D2 48V T/S 09-18A Contactor
12ACOIL-D2-12V	Coil D2 12V T/S 09-18A Contactor
18ACOIL-D2-110V	Coil D2 110V T/S 09-18A Contactor
18ACOIL-D2-240V	Coil D2 240V T/S 09-18A Contactor
18ACOIL-D2-24V	Coil D2 24V T/S 09-18A Contactor
18ACOIL-D2-32V	Coil D2 32V T/S 09-18A Contactor
18ACOIL-D2-415V	Coil D2 415V T/S 09-18A Contactor
32ACOIL-D4-110V	Coil D4 110V T/S 25-32A Contactor
32ACOIL-D4-12V	Coil D4 12V T/S 25-32A Contactor
32ACOIL-D4-240V	Coil D4 240V T/S 25-32A Contactor
32ACOIL-D4-24V	Coil D4 24V T/S 25-32A Contactor
32ACOIL-D4-32V	Coil D4 32V T/S 25-32A Contactor
32ACOIL-D4-415V	Coil D4 415V T/S 25-32A Contactor
65ACOIL-D6-110V	Coil D6 110V T/S 40-95A Contactor
65ACOIL-D6-12V	Coil D6 12V T/S 40-95A Contactor
65ACOIL-D6-240V	Coil D6 240V T/S 40-95A Contactor
65ACOIL-D6-24V	Coil D6 24V T/S 40-95A Contactor
65ACOIL-D6-32V	Coil D6 32V T/S 40-95A Contactor
65ACOIL-D6-415V	Coil D6 415V T/S 40-95A Contactor
65ACOIL-D6-48V	Coil D6 48V T/S 40-95A Contactor



To Order Now Phone: 1300 797 747

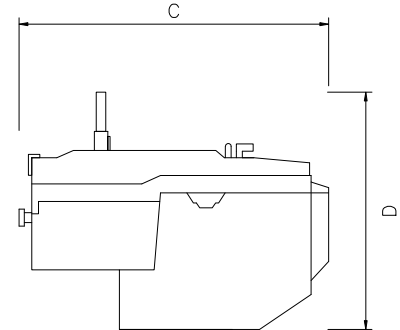
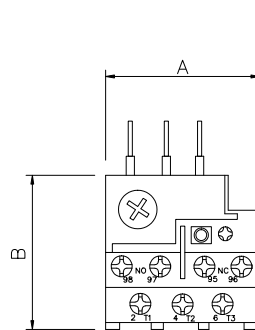
F: +61 (0)7 5564 6638 E: info@sourceco.com



THERMAL OVERLOADS



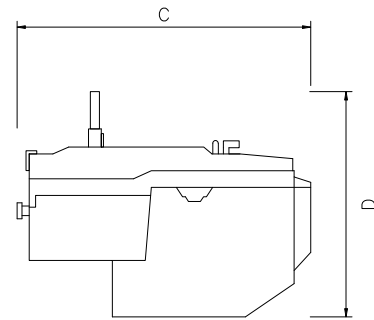
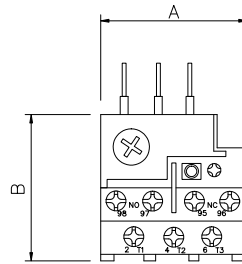
TO-10



TO 1 - TO 25 | JR28-25



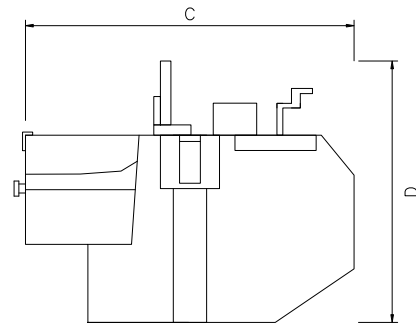
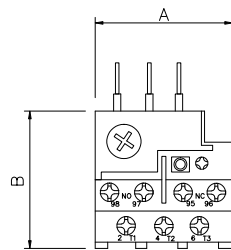
TO-36



TO 32 - TO 36 | JR28-36



TO-65



TO 40 - TO 93 | JR28-93



To Order Now Phone: 1300 797 747

F: +61 (0)7 5564 6638 E: info@sourceco.com

THERMAL OVERLOADS

Description:

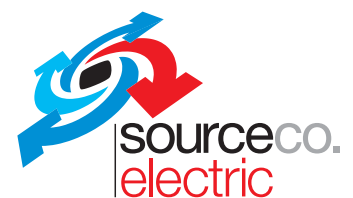
Regis thermal overloads are suitable for use in circuits with a rated voltage up to 660V 50-60Hz. The overloads are compatible with many brands of contactors. Overloads have 1 NO and 1 NC set of auxiliary contacts.

Item Number	Description	Dimensions			
		A	B	C	D
TO-1	Thermal Overload 0.63 - 1.0A	44	47	92	67
TO-1.6	Thermal Overload 1.0 - 1.6A	44	47	92	67
TO-2.5	Thermal Overload 1.6 - 2.5A	44	47	92	67
TO-4	Thermal Overload 2.5 - 4.0A	44	47	92	67
TO-6	Thermal Overload 4.0 - 6.0A	44	47	92	67
TO-8	Thermal Overload 5.5 - 8.0A	44	47	92	67
TO-10	Thermal Overload 7.0 - 10.0A	44	47	92	67
TO-13	Thermal Overload 9.0 - 13.0A	44	47	92	67
TO-18	Thermal Overload 12.0 - 18.0A	44	47	92	67
TO-25	Thermal Overload 17.0 - 25.0A	44	47	92	67
TO-32	Thermal Overload 23.0 - 32.0A	55	58	93	78
TO-36	Thermal Overload 28.0 - 36.0A	55	58	93	78
TO-40	Thermal Overload 30.0 - 40.0A	70	55	115	82
TO-50	Thermal Overload 37.0 - 50.0A	70	55	115	82
TO-65	Thermal Overload 48.0 - 65.0A	70	55	115	82
TO-70	Thermal Overload 55.0 - 70.0A	70	55	115	82
TO-80	Thermal Overload 63.0 - 80.0A	70	55	115	82
TO-93	Thermal Overload 80.0 - 93.0A	70	55	115	82



To Order Now Phone: 1300 797 747

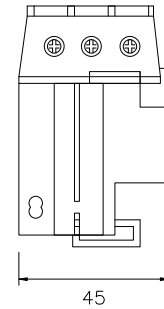
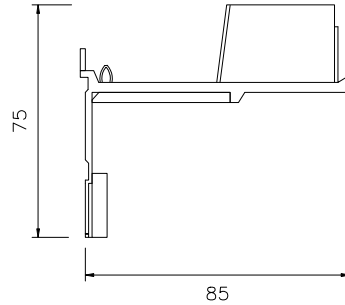
F: +61 (0)7 5564 6638 E: info@sourceco.com



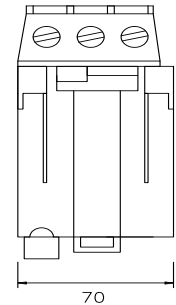
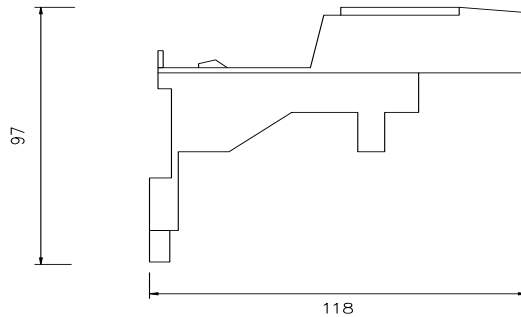
MOUNTING BASE: FOR THERMAL OVERLOADS TO BE DIN MOUNTED



3SC8 D1TB



3SC8 D3TB



Item Number	Description
3SC8 D1TB	Mounting Base T/S TO 0.63-25A
3SC8 D3TB	Mounting Base T/S TO 40-93A



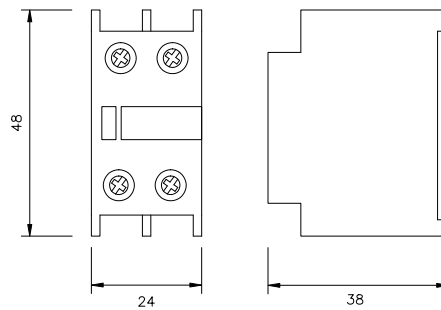
To Order Now Phone: 1300 797 747

F: +61 (0)7 5564 6638 E: info@sourceco.com

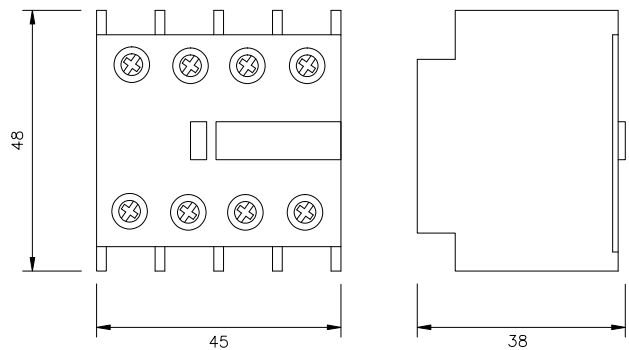
OVERLOAD TERMINAL BLOCK: TOP MOUNTED



3SC811



3SC822

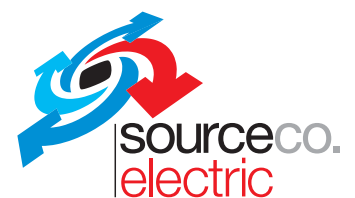


Item Number	Description
3SC811	Aux Block 1NO/1NC Top Mounted
3SC822	Aux Block 2NO/2NC Top Mounted



To Order Now Phone: 1300 797 747

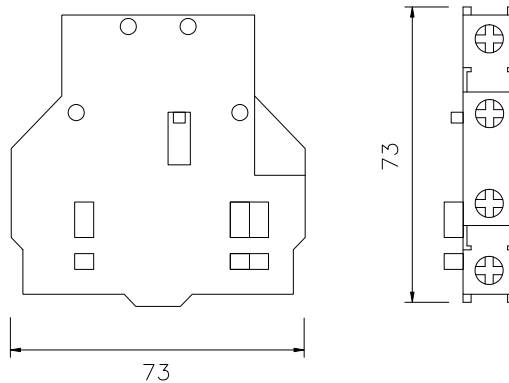
F: +61 (0)7 5564 6638 E: info@sourceco.com



OVERLOAD TERMINAL BLOCK: SIDE MOUNTED



LA8-DN20C



Item Number	Description
LA8-DN11C	Aux Block 1NO/1NC Side Mounted
LA8-DN20C	Aux Block 2NO Side Mounted

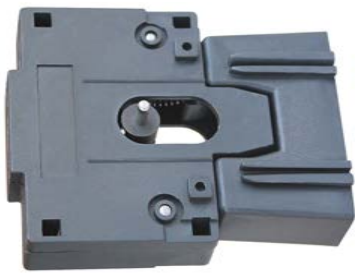
**NO indicates Normally Open, NC indicates Normally Closed*



To Order Now Phone: 1300 797 747

F: +61 (0)7 5564 6638 E: info@sourceco.com

MECHANICAL INTERLOCKS



Item Number	Description
IL 9-32	Interlock T/S 9-32A Contactors
IL 40-95	Interlock T/S 40-95A Contactors

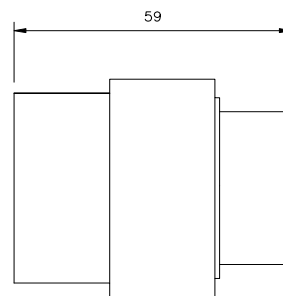
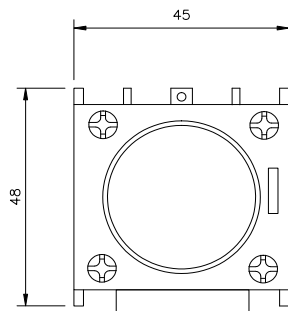
TIME DELAY CONTACT - PNEUMATIC



LA2-DT2



LA3-DR4



Item Number	Description
LA2-DT2	Timer Block 0.1-30 Seconds Time Delay On
LA2-DT4	Timer Block 10-180 Seconds Time Delay On
LA3-DR2	Timer Block 0.1-30 Seconds Time Delay Off
LA3-DR4	Timer Block 10-180 Seconds Time Delay Off



To Order Now Phone: 1300 797 747

F: +61 (0)7 5564 6638 E: info@sourceco.com



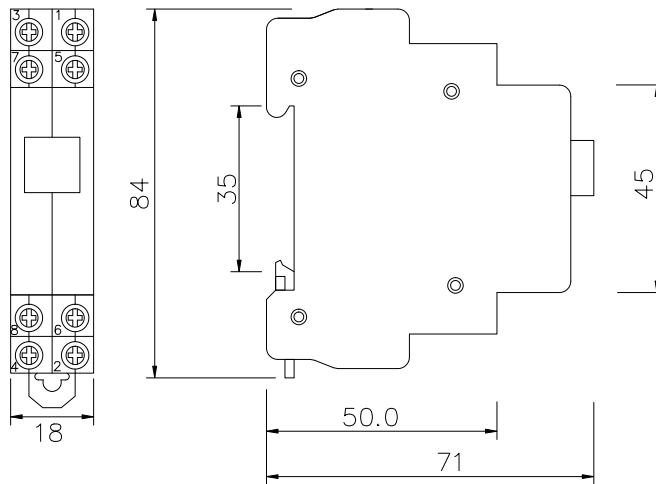
PUSH BUTTONS: DIN MOUNTED



PBGREEN



PBRED



Item Number	Description
PBGREEN	Push button Green 2 NC/2 NO DIN Mounted
PBRED	Push Button Red 2 NC/1 NO DIN Mounted



To Order Now Phone: 1300 797 747

F: +61 (0)7 5564 6638 E: info@sourceco.com

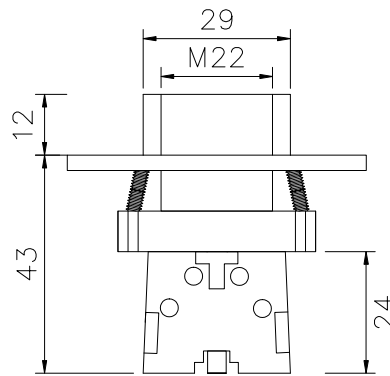
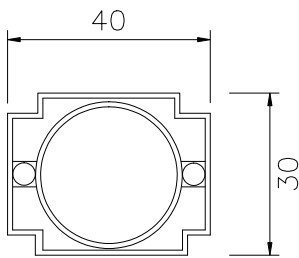
PUSH BUTTONS: PANEL MOUNTED



PBG-XB2-BA31



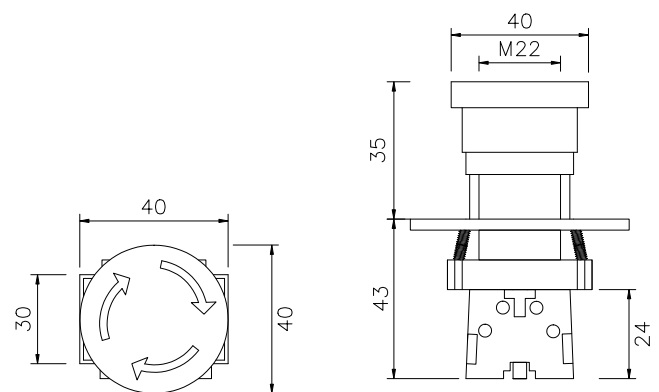
PBR-XB2-BA42



Item Number	Description
PBG-XB2-BA31	Push Button Green Panel Mounted
PBR-XB2-BA42	Push Button Red Panel Mounted



PBEM DB4-BS542



Item Number	Description
PBEM DB4-BS542	Push Button Emergency Stop



To Order Now Phone: 1300 797 747

F: +61 (0)7 5564 6638 E: info@sourceco.com



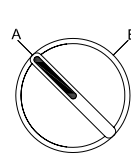
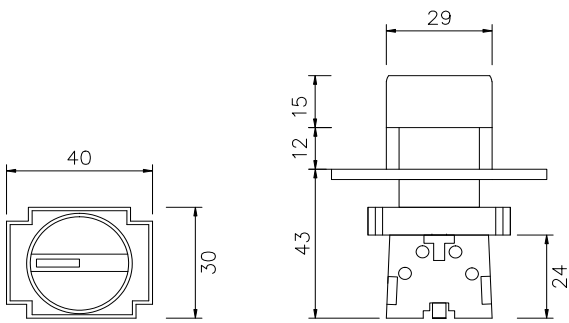
ROTARY SWITCH: PANEL MOUNTED



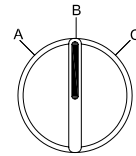
XA2-BD21



XA2-BD33



XA2-BD21

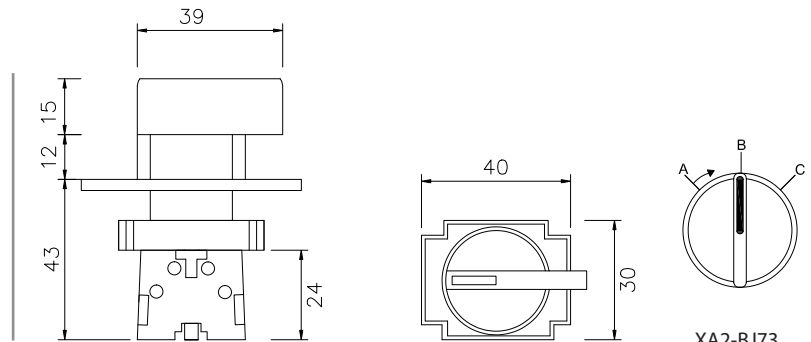


XA2-BD33

Item Number	Description	Rated Current
XA2-BD21	Rotary Switch 2 Position 10A ON-OFF	10A
XA2-BD33	Rotary Switch 3 Position 10A ON-OFF-ON	10A



XA2-BJ73



XA2-BJ73

Item Number	Description	Rated Current
XA2-BJ73	Rotary Switch 3 Position Spring Return Panel Mounted ON-OFF-MOM ON	10A



To Order Now Phone: 1300 797 747

F: +61 (0)7 5564 6638 E: info@sourceco.com

SWITCH MECHANISM



Item Number	Description	Contact	Rated Current
ZB2-BE101	Switch Mech 1NO T/S Push Button	1NO	10A
ZB2-BE102	Switch Mech 1/NC T/S Push Button	1NC	10A

** Suits all of our current Push Buttons and Rotary Switches*

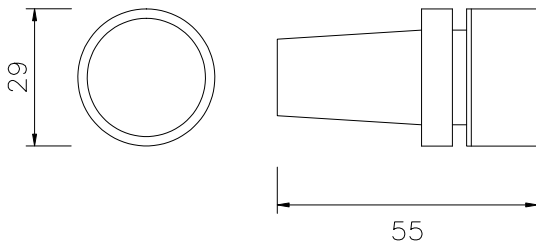
INDICATOR LAMPS: PANEL MOUNTED



INDICATOR LAMP GREEN



INDICATOR LAMP RED



Item Number	Description
INDG-12V	Indicator Lamp Green LED 12V
INDG-240V	Indicator Lamp Green LED 240V
INDG-24V	Indicator Lamp Green LED 24V
INDR-12V	Indicator Lamp Red LED 12V
INDR-240V	Indicator Lamp Red LED 240V
INDR-24V	Indicator Lamp Red LED 24V



To Order Now Phone: 1300 797 747

F: +61 (0)7 5564 6638 E: info@sourceco.com



SURGE PROTECTORS



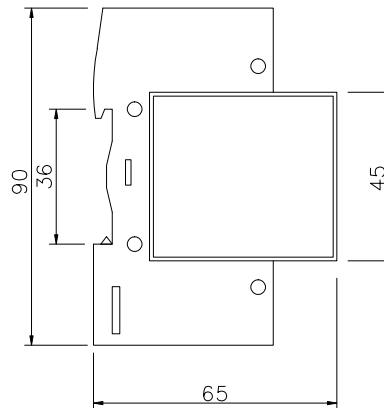
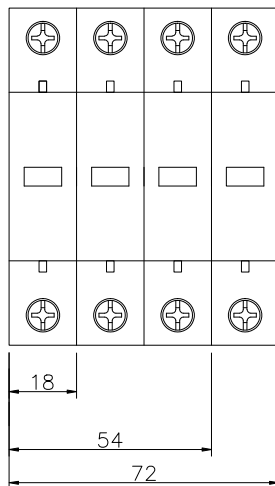
JVS1



JVS3



JVS4



Item Number	Description	Terminal Screw Size	Energy Limiting Class	Rated Impulse Withstand Voltage
JVS1	Surge Protector 20kA 1 Pole	Rigid conductor up to 25mm ²	3	6.2kV
JVS3	Surge Protector 20kA 3 Pole	Rigid conductor up to 25mm ²	3	6.2kV
JVS4	Surge Protector 20kA 4 Pole	Rigid conductor up to 25mm ²	3	6.2kV



To Order Now Phone: 1300 797 747

F: +61 (0)7 5564 6638 E: info@sourceco.com

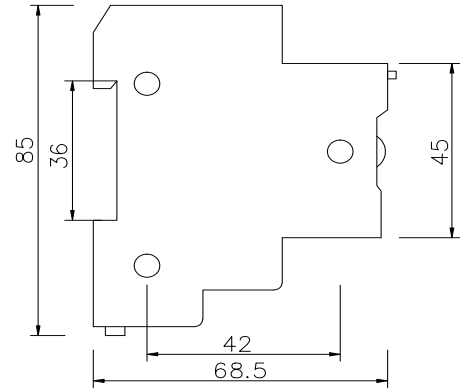
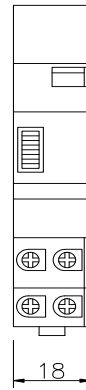
TIMER SWITCHES



JVT1

Features:

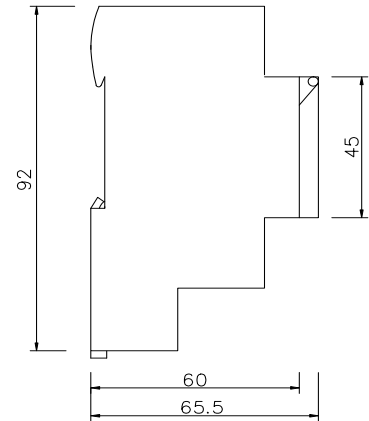
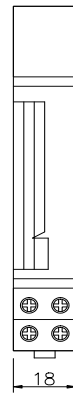
- Staircase Timer
- 1-7 Minute Time Delay
- Manual Override



JVT2

Features:

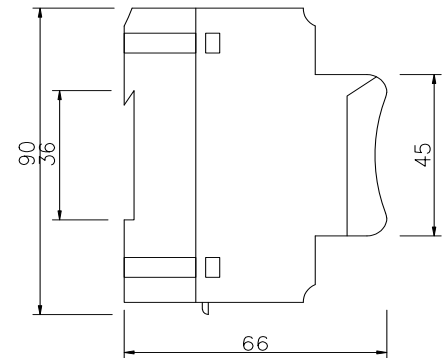
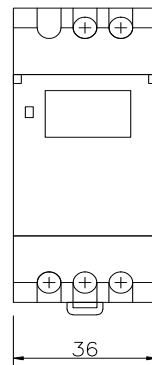
- Manual Override
- 110-240V AC
- 24 Hour Segments
- 16A Contacts
- 3 Day Battery Backup



JVT3

Features:

- Weekly Programmable (16 Program On/Off)
- 16A Contacts
- LCD Display
- Battery Backup (3 Years)

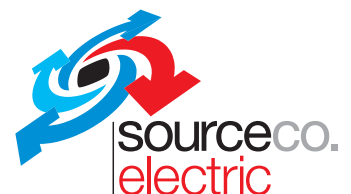


Item Number	Description	Terminal Screw Size
JVT1	Timer Switch 1 Pole 16A 7min Segment	Rigid conductor up to 10mm ²
JVT2	Timer Switch 1 Pole 16A 24hr Segment	Rigid conductor up to 10mm ²
JVT3	Timer Switch 3 Pole 16A 7 day digital	Rigid conductor up to 10mm ²



To Order Now Phone: 1300 797 747

F: +61 (0)7 5564 6638 E: info@sourceco.com



MULTIFUNCTION TIMER



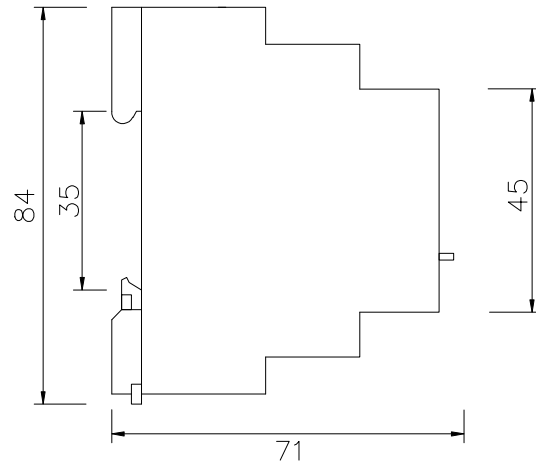
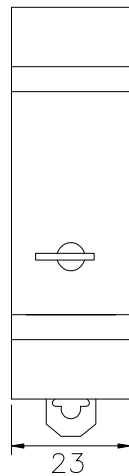
DHC 19S-S
Multifunction timer



**Please contact our sales representatives
for more information on this product*

Features:

- Universal Supply Voltage AC/DC 24-240V
- Time Scale 0.6s~100 Hours
- Working Modes: loop around, loop once
- Output Contact: 1 x changeover 3A
- Output Indication:
- Red LED, flashing at timing cycle
- Green LED, lit as relay on
- DIN rail mounting



To Order Now Phone: 1300 797 747

F: +61 (0)7 5564 6638 E: info@sourceco.com

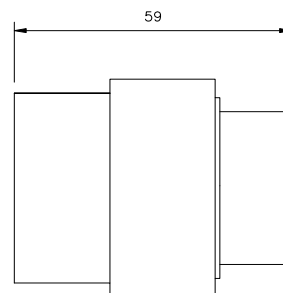
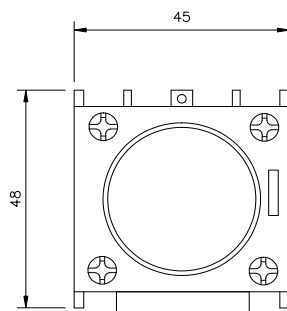
TIME DELAY CONTACT - PNEUMATIC



LA2-DT2



LA3-DR4

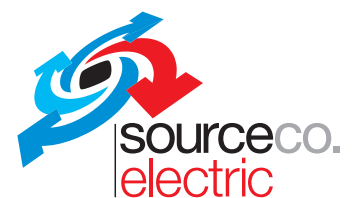


Item Number	Description
LA2-DT2	Timer Block 0.1-30 Seconds Time Delay On
LA2-DT4	Timer Block 10-180 Seconds Time Delay On
LA3-DR2	Timer Block 0.1-30 Seconds Time Delay Off
LA3-DR4	Timer Block 10-180 Seconds Time Delay Off

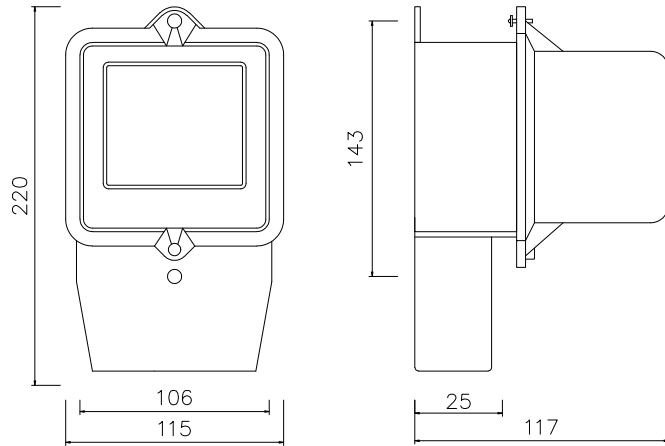


To Order Now Phone: 1300 797 747

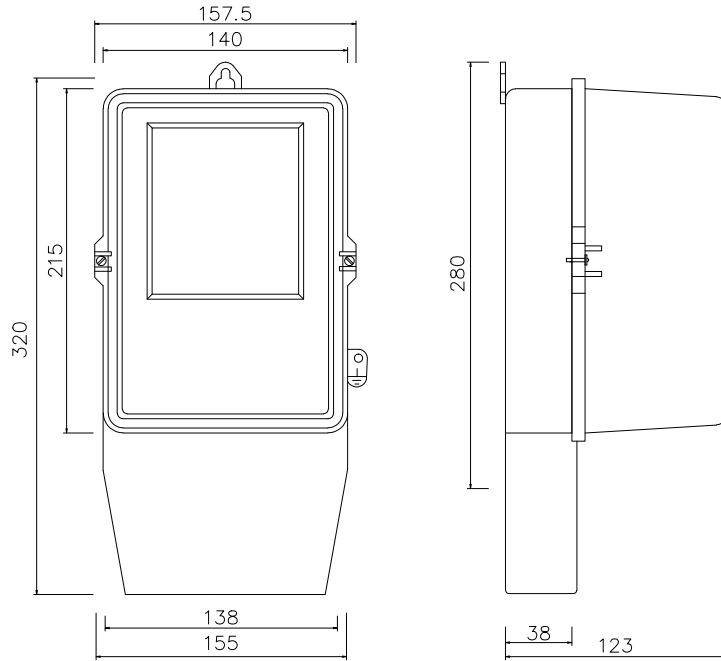
F: +61 (0)7 5564 6638 E: info@sourceco.com



KILOWATT HOUR METERS: PANEL MOUNTED



DD861P



DD863P

Item Number	Description
DD861P	Kilowatt Hour Meter 1 Phase 100A
DD861P 40 Amp	Kilowatt Hour Meter 1 Phase 40A
DD863P	Kilowatt Hour Meter 3 Phase 100A

Description:

Regis offer both single and polyphase kilowatt hour meters suitable for a wide range of check-metering applications. Class 2 accurate.

Features:

- Sealable
- Durable construction with clear plastic
- Up to 100A



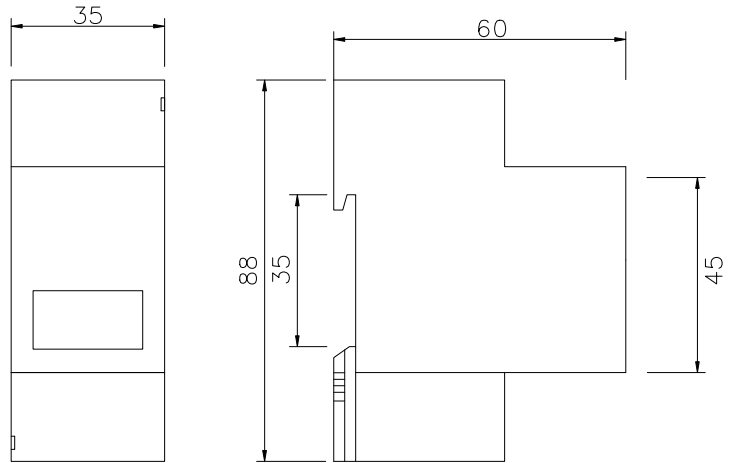
To Order Now Phone: 1300 797 747

F: +61 (0)7 5564 6638 E: info@sourceco.com

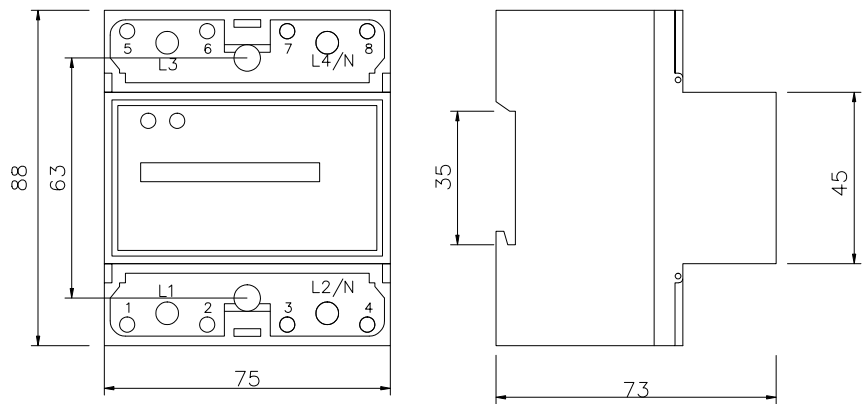
KILOWATT HOUR METERS: DIN MOUNTED



DDS238-2



ADM100S

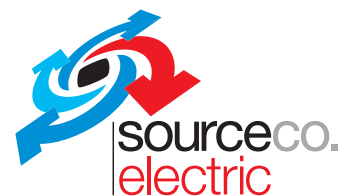


Item Number	Description
DDS238-2	Kilowatt Hour Meter DIN 1 Phase 65A
ADM100S	Kilowatt Hour Meter DIN 1 Phase 100A



To Order Now Phone: 1300 797 747

F: +61 (0)7 5564 6638 E: info@sourceco.com



KILOWATT HOUR METERS: DIN MOUNTED

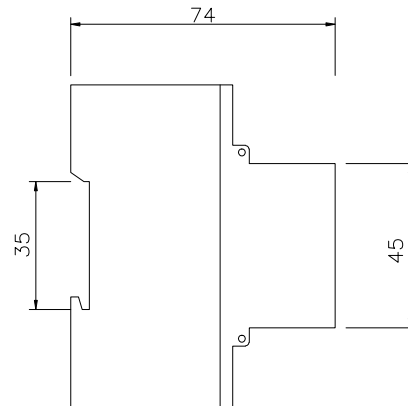
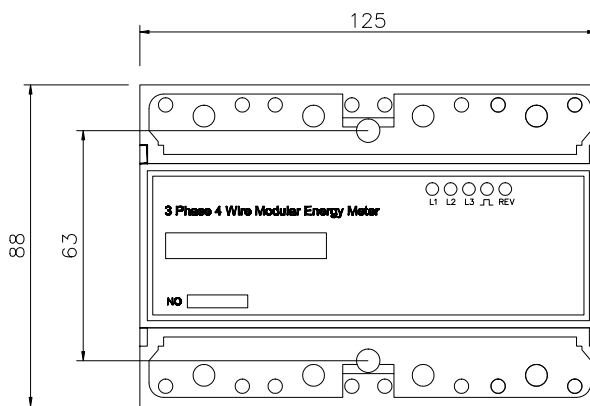


ADM100T



ADM100TC CT

** This product is designed for use with a Current Transformer only. Please refer to page 43 of our catalogue.*



Item Number	Description
ADM100T	Kilowatt Hour Meter DIN 3 Phase 100A
ADM100T CT	Kilowatt Hour Meter DIN 3 Phase 6A
ADM100TC CT	Kilowatt Hour Meter DIN 3 Phase 6A LCD

** ADM100T CT and ADM100TC CT are designed for use with a Current Transformer only. Please refer to page 43 of our catalogue.*

Description:

Regis offers both single and polyphase kilowatt hour meters suitable for a wide range of check metering applications

Features:

- Pulsed Output
- DIN Rail Mount
- Numeric or Digital Display
- Available in 6A – 100A



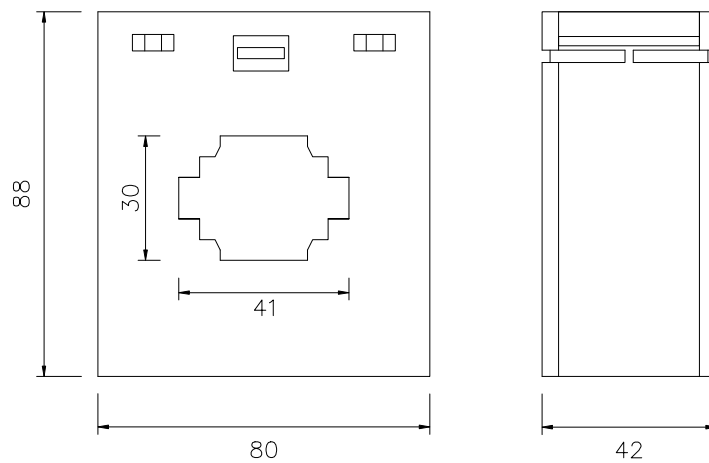
To Order Now Phone: 1300 797 747

F: +61 (0)7 5564 6638 E: info@sourceco.com

CURRENT TRANSFORMER



MES 250/5



Item	Description	Conductor material
MES-250/5	Current Transformer 250/5	Copper
MES-400/5	Current Transformer 400/5	Copper
MES-600/5	Current Transformer 600/5	Copper



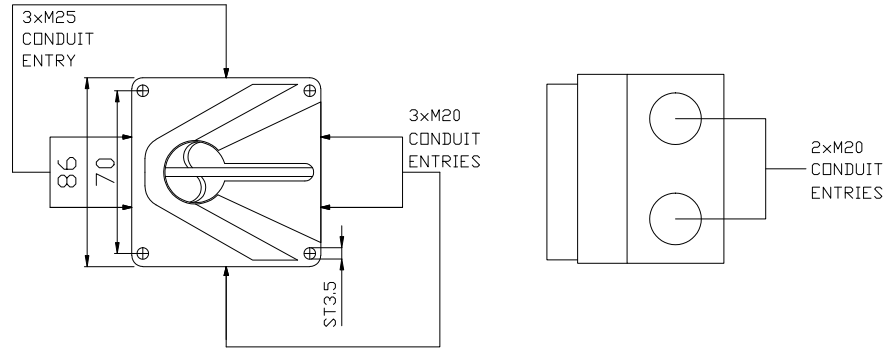
To Order Now Phone: 1300 797 747

F: +61 (0)7 5564 6638 E: info@sourceco.com

WEATHER PROTECTED: ISOLATORS



RMF1-20



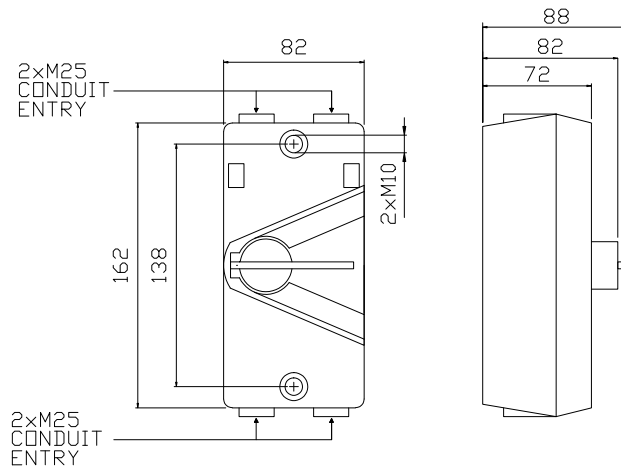
Item Number	Description	Mounting Hole Diameter	IP Rating
RMF1-20	Mini Isolator 1 Pole 20A Weather Protected	5mm	IP 66

Features:

- Pad lockable
- AC - 22B Rating



RF1-20



Item Number	Description	Mounting Hole Diameter	IP Rating
RF1-20	Isolator 1 Pole 20A Weather Protected	6mm	IP 66
RF1-35	Isolator 1 Pole 35A Weather Protected	6mm	IP 66
RF1-63	Isolator 1 Pole 63A Weather Protected	6mm	IP 66
RF3-35	Isolator 3 Pole 35A Weather Protected	6mm	IP 66
RF3-63	Isolator 3 Pole 63A Weather Protected	6mm	IP 66
RF4-20	Isolator 4 Pole 20A Weather Protected	6mm	IP 66

Features:

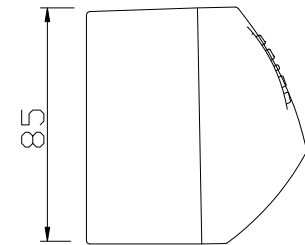
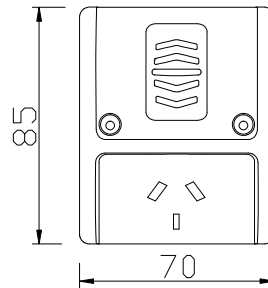
- Fixed neutral and earth Bar
- Pad lockable
- Large 25mm terminal
- Quick fit cover
- AC - 23A rating



To Order Now Phone: 1300 797 747

F: +61 (0)7 5564 6638 E: info@sourceco.com

WEATHER PROTECTED: GENERAL POWER OUTLET

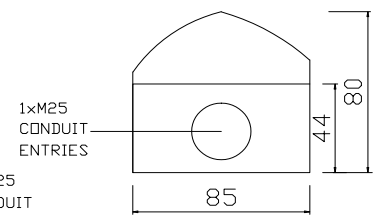
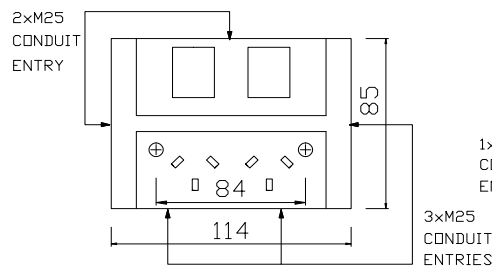
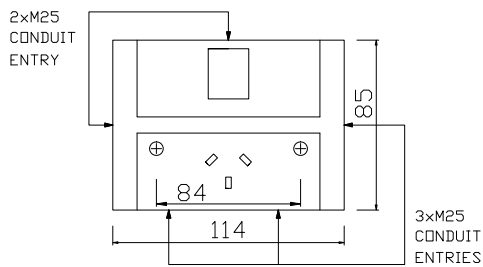


RMPP1-10



RDPP1-10

RDPP2-10



Item Number	Description	Mounting Hole Diameter	IP Rating
RMPP1-10	Mini Power Point Single 10A Weather Protected	5mm	IP 53
RMPP1-15	Mini Power Point Single 15A Weather Protected	5mm	IP 53
RDPP1-10	Power Point Single 10A Weather Protected	5mm	IP 53
RDPP1-15	Power Point Single 15A Weather Protected	5mm	IP 53
RDPP2-10	Power Point Double 10A Weather Protected	5mm	IP 53
RDPP2-15	Power Point Double 15A Weather Protected	5mm	IP 53



To Order Now Phone: 1300 797 747

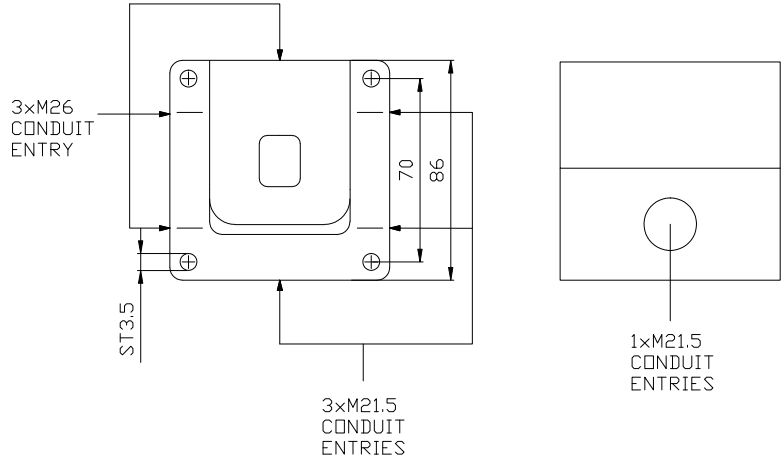
F: +61 (0)7 5564 6638 E: info@sourceco.com



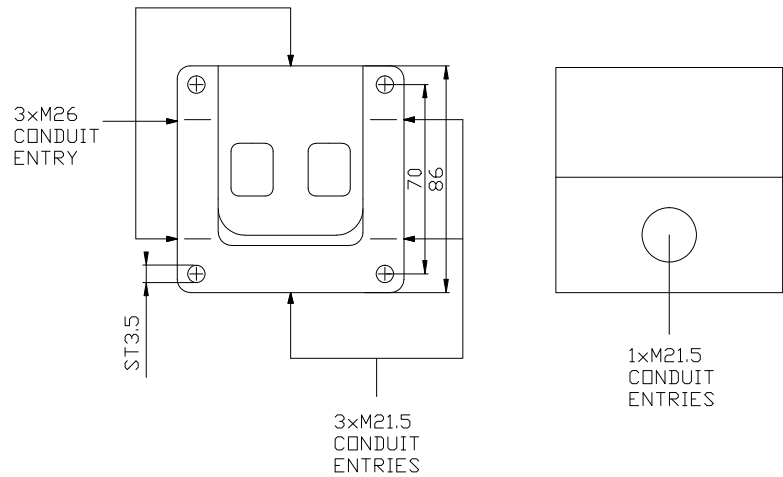
WEATHER PROTECTED: SWITCHES



RW1P-15



RW2P-15



Item	Description	Mounting Hole Diameter	IP Rating
RW1P-15	Switch 1 Gang 15A Weather Protected	5mm	IP 66
RW2P-15	Switch 2 Gang 15A Weather Protected	5mm	IP 66



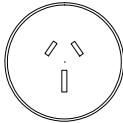

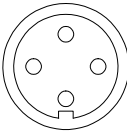
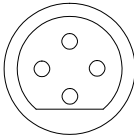
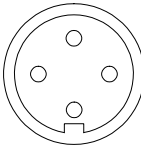
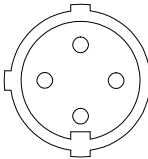
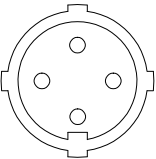
To Order Now Phone: 1300 797 747

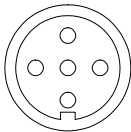
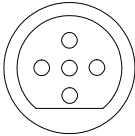
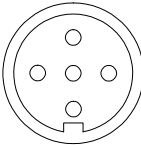
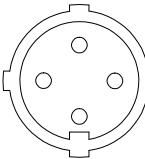
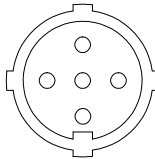
F: +61 (0)7 5564 6638 E: info@sourceco.com

PLUG AND PIN CONFIGURATION

The combination Switch Sockets, Straight Plugs and Angled Plugs are all available in the 56 Weather Protected Series.

The Regis quality range of weatherproof industrial switchgear has been purpose designed and manufactured to meet Australian Standards and to provide the contractor with a cost effective solution. Our range is compatible with existing systems.

Combination Switch Sockets	A56C310	A56C315	A56C410	A56C420	A56C432	A56C440	A56C450
Straight Plugs	A56P310	A56P315	A56P410	A56P420	A56P432	A56P440	A56P450
Angled Plugs	N/A	N/A	A56PA410	A56PA420	A56PA432	A56PA440	A56PA450
Voltage Rating	250	250	440	440	440	440	440
Current Rating	10A	15A	10A	20A	32A	40A	50A
Number of Pins	3	3	4	4	4	4	4
Extension Sockets	N/A	N/A	A56CSC410	A56CSC420	A56CSC432	A56CSC440	A56CSC450
							

Combination Switch Sockets	A56C510	A56C520	A56C532	A56C540	A56C550
Straight Plugs	A56P510	A56P520	A56P532	A56P540	A56P550
Angled Plugs	A56PA510	A56PA520	A56PA532	A56PA540	A56PA550
Voltage Rating	440	440	440	440	440
Current Rating	10A	20A	32A	40A	50A
Number of Pins	5	5	5	5	5
Extension Sockets	A56CSC510	A56CSC520	A56CSC532	A56CSC540	A56CSC550
					



To Order Now Phone: 1300 797 747

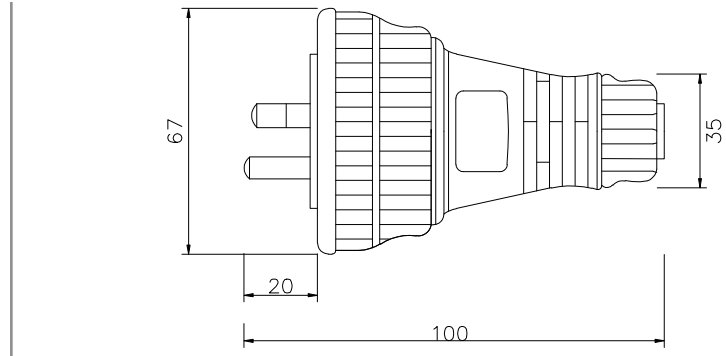
F: +61 (0)7 5564 6638 E: info@sourceco.com



WEATHER PROTECTED: PLUGS



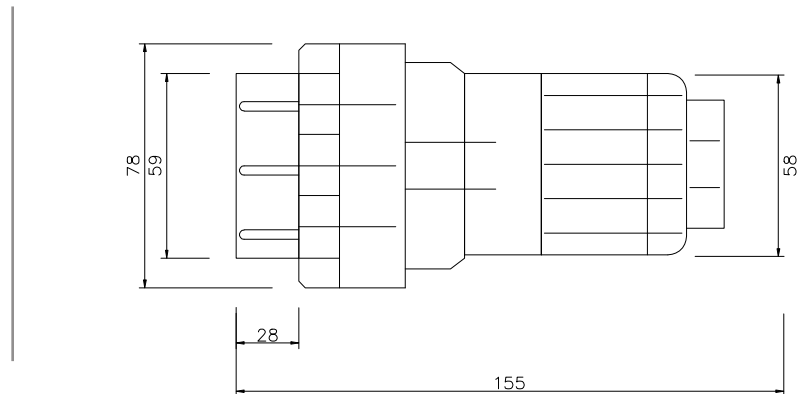
A56P315



Item Number	Description	IP Rating
A56P310	Plug Top Male 3 Pin 10A	IP 66
A56P315	Plug Top Male 3 Pin 15A	IP 66



A56P410



Item Number	Description	IP Rating
A56P410	Plug Top Male 4 Pin 10A	IP 66
A56P510	Plug Top Male 5 Pin 10A	IP 66



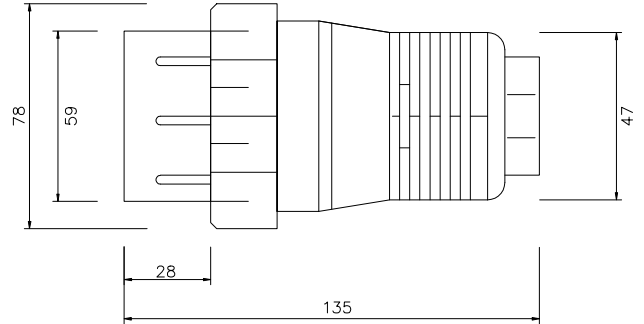
To Order Now Phone: 1300 797 747

F: +61 (0)7 5564 6638 E: info@sourceco.com

WEATHER PROTECTED: PLUGS



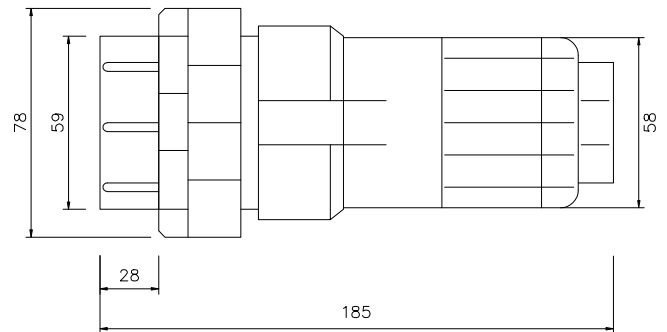
A56P420



Item Number	Description	IP Rating
A56P420	Plug Top Male 4 Pin 20A	IP 66
A56P520	Plug Top Male 5 Pin 20A	IP 66



A56P532



Item Number	Description	IP Rating
A56P432	Plug Top Male 4 Pin 32A	IP 66
A56P440	Plug Top Male 4 Pin 40A	IP 66
A56P450	Plug Top Male 4 Pin 50A	IP 66
A56P532	Plug Top Male 5 Pin 32A	IP 66
A56P540	Plug Top Male 5 Pin 40A	IP 66
A56P550	Plug Top Male 5 Pin 50A	IP 66



To Order Now Phone: 1300 797 747

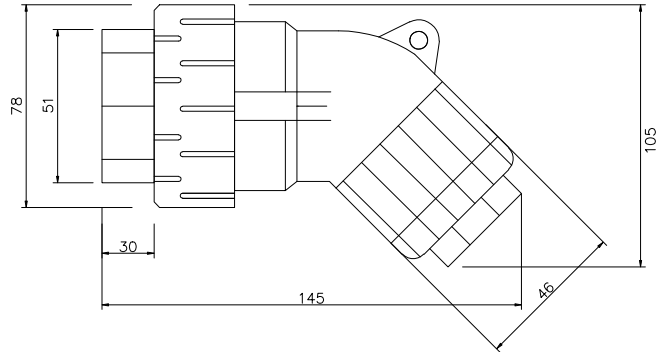
F: +61 (0)7 5564 6638 E: info@sourceco.com



WEATHER PROTECTED: PLUGS: ANGLED



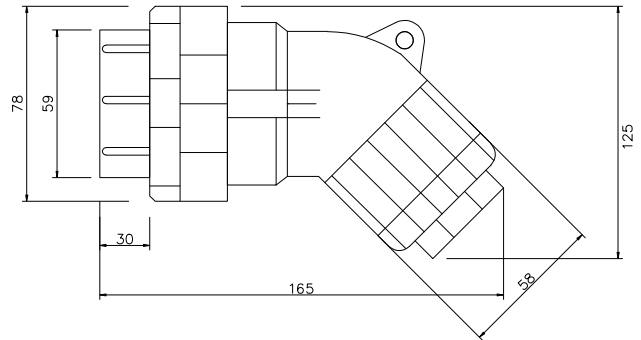
A56PA420



Item Number	Description	IP Rating
A56PA410	Plug Top Angled 4 Pin 10A	IP 66
A56PA420	Plug Top Angled 4 Pin 20A	IP 66
A56PA510	Plug Top Angled 5 Pin 10A	IP 66
A56PA520	Plug Top Angled 5 Pin 20A	IP 66



A56PA540



Item Number	Description	IP Rating
A56PA432	Plug Top Angled 4 Pin 32A	IP 66
A56PA440	Plug Top Angled 4 Pin 40A	IP 66
A56PA450	Plug Top Angled 4 Pin 50A	IP 66
A56PA532	Plug Top Angled 5 Pin 32A	IP 66
A56PA540	Plug Top Angled 5 Pin 40A	IP 66
A56PA550	Plug Top Angled 5 Pin 50A	IP 66



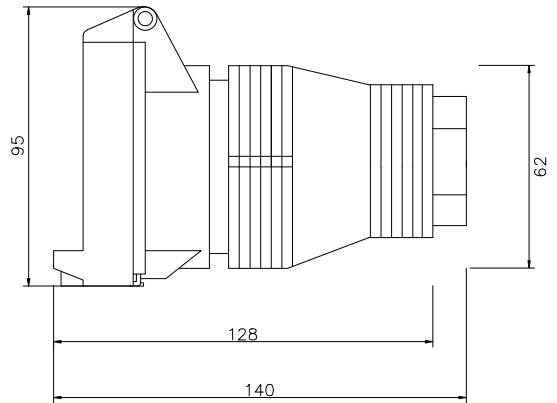
To Order Now Phone: 1300 797 747

F: +61 (0)7 5564 6638 E: info@sourceco.com

WEATHER PROTECTED: SOCKET EXTENSIONS



A56CSC420

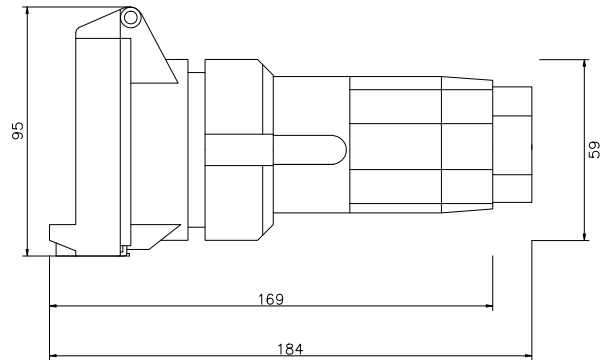


Item Number	Description	IP Rating
A56CSC410	Socket Extension 4 Pin 10A	IP 66
A56CSC420	Socket Extension 4 Pin 20A	IP 66
A56CSC510	Socket Extension 5 Pin 10A	IP 66
A56CSC520	Socket Extension 5 Pin 20A	IP 66

- *Clip lock when not in use*



A56CSC532



Item Number	Description	IP Rating
A56CSC432	Socket Extension 4 Pin 32A	IP 66
A56CSC440	Socket Extension 4 Pin 40A	IP 66
A56CSC450	Socket Extension 4 Pin 50A	IP 66
A56CSC532	Socket Extension 5 Pin 32A	IP 66
A56CSC540	Socket Extension 5 Pin 40A	IP 66
A56CSC550	Socket Extension 5 Pin 50A	IP 66

- **Clip lock when not in use*



To Order Now Phone: 1300 797 747

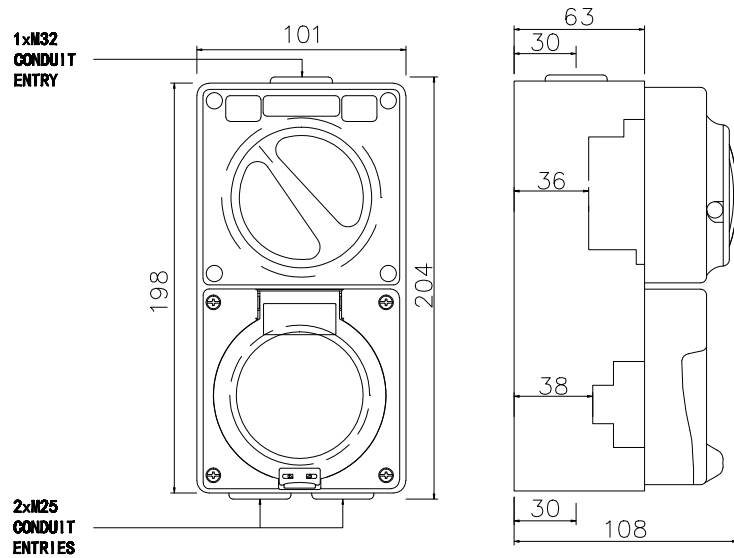
F: +61 (0)7 5564 6638 E: info@sourceco.com



WEATHER PROTECTED: COMBINATION SWITCH AND SOCKET



A56C315



Item Number	Description	IP Rating
A56C310	Comb Switch Socket 3 Pin 10A	IP 66
A56C315	Comb Switch Socket 3 Pin 15A	IP 66
A56C410	Comb Switch Socket 4 Pin 10A	IP 66
A56C420	Comb Switch Socket 4 Pin 20A	IP 66
A56C432	Comb Switch Socket 4 Pin 32A	IP 66
A56C440	Comb Switch Socket 4 Pin 40A	IP 66
A56C450	Comb Switch Socket 4 Pin 50A	IP 66
A56C510	Comb Switch Socket 5 Pin 10A	IP 66
A56C520	Comb Switch Socket 5 Pin 20A	IP 66
A56C532	Comb Switch Socket 5 Pin 32A	IP 66
A56C540	Comb Switch Socket 5 Pin 40A	IP 66
A56C550	Comb Switch Socket 5 Pin 50A	IP 66

Features:

- Clip lock cover when not in use
- Lockable in 'Off' position



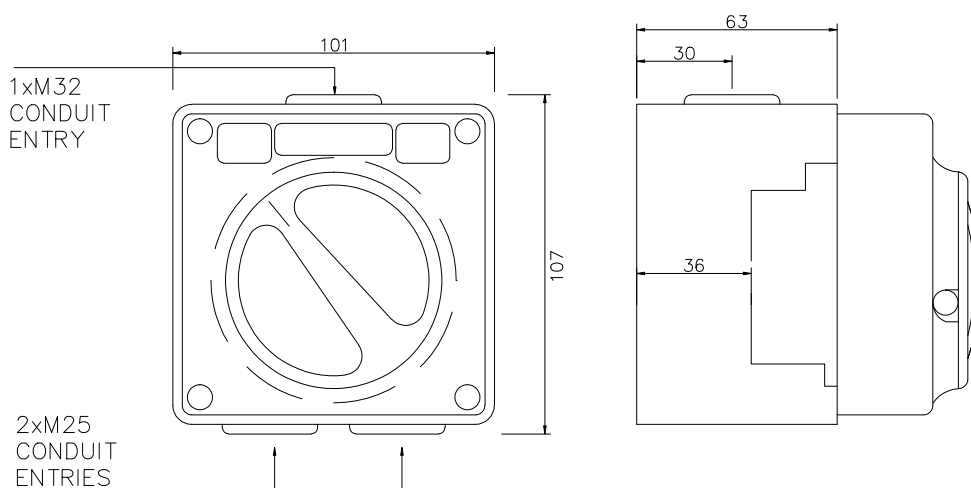
To Order Now Phone: 1300 797 747

F: +61 (0)7 5564 6638 E: info@sourceco.com

WEATHER PROTECTED: SWITCHES COMMERCIAL/INDUSTRIAL



A56SW332



Item Number	Description	IP Rating
A56SW120	Switch 1 Pole 20A	IP 66
A56SW332	Switch 3 Pole 32A	IP 66
A56SW350	Switch 3 Pole 50A	IP 66

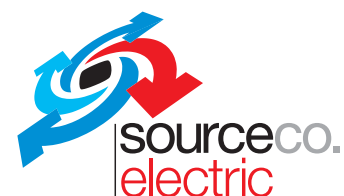
Features:

- Lockable in 'Off' position



To Order Now Phone: 1300 797 747

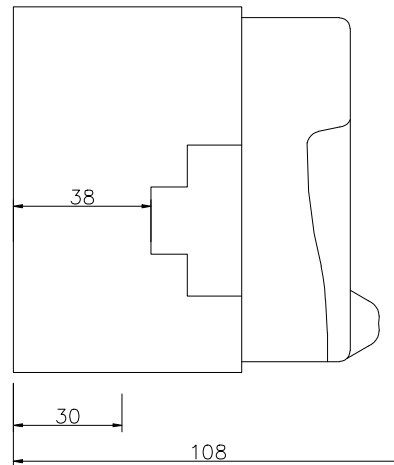
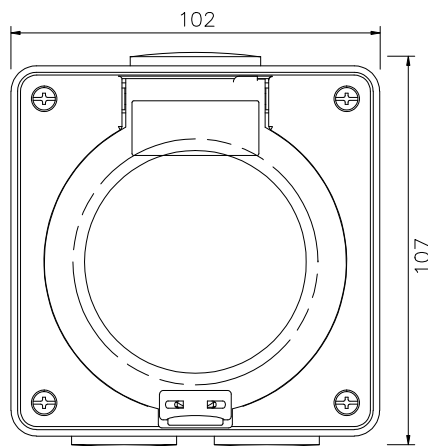
F: +61 (0)7 5564 6638 E: info@sourceco.com



WEATHER PROTECTED: SOCKET OUTLETS



A56SO315



Item Number	Description	IP Rating
A56SO310	Socket Outlet 3 Pin 10A	IP 66
A56SO315	Socket Outlet 3 Pin 15A	IP 66
A56SO410	Socket Outlet 4 Pin 10A	IP 66
A56SO420	Socket Outlet 4 Pin 20A	IP 66
A56SO432	Socket Outlet 4 Pin 32A	IP 66
A56SO440	Socket Outlet 4 Pin 40A	IP 66
A56SO450	Socket Outlet 4 Pin 50A	IP 66
A56SO510	Socket Outlet 5 Pin 10A	IP 66
A56SO520	Socket Outlet 5 Pin 20A	IP 66
A56SO532	Socket Outlet 5 Pin 32A	IP 66
A56SO540	Socket Outlet 5 Pin 40A	IP 66
A56SO550	Socket Outlet 5 Pin 50A	IP 66

Item Number	Description
A56SO310LB	Socket 3 Pin 10A Less Base
A56SO315LB	Socket 3 Pin 15A Less Base
A56SO420LB	Socket 4 Pin 20A Less Base
A56SO520LB	Socket 5 Pin 20A Less Base
A56SO532LB	Socket 5 Pin 32A Less Base
A56SO540LB	Socket 5 Pin 40A Less Base

Features:

- Clip lock when not in use



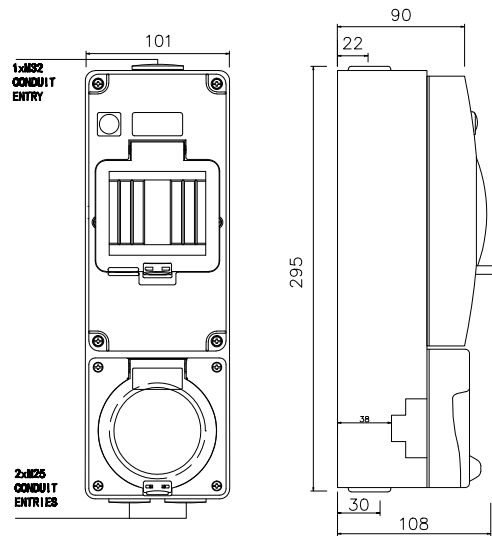
To Order Now Phone: 1300 797 747

F: +61 (0)7 5564 6638 E: info@sourceco.com

WEATHER PROTECTED: RCD PROTECTED OUTLETS



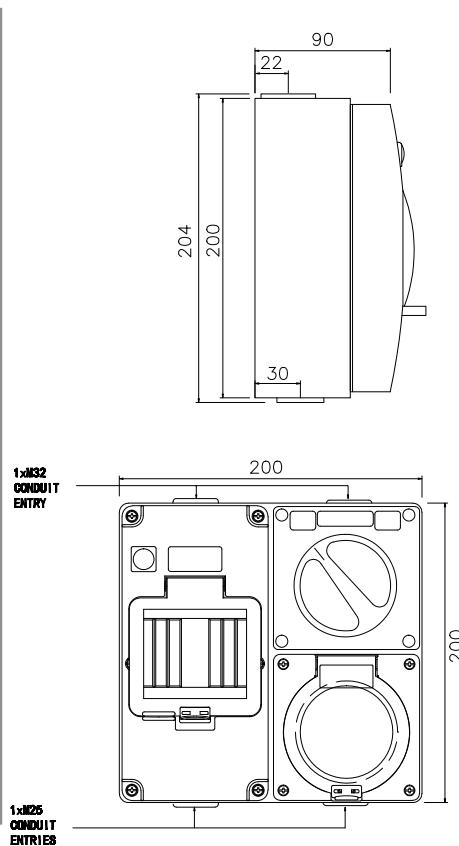
A56SO532RCD



Item Number	Description
A56SO310 RCD	RCD Socket Outlet 3 Pin 10A E3 Base
A56SO315 RCD	RCD Socket Outlet 3 Pin 15A E3 Base
A56SO410 RCD	RCD Socket Outlet 4 Pin 10A E3 Base
A56SO420 RCD	RCD Socket Outlet 4 Pin 20A E3 Base
A56SO432 RCD	RCD Socket Outlet 4 Pin 32A E3 Base
A56SO440 RCD	RCD Socket Outlet 4 Pin 40A E3 Base
A56SO450 RCD	RCD Socket Outlet 4 Pin 50A E3 Base
A56SO510 RCD	RCD Socket Outlet 5 Pin 10A E3 Base
A56SO520 RCD	RCD Socket Outlet 5 Pin 20A E3 Base
A56SO532 RCD	RCD Socket Outlet 5 Pin 32A E3 Base
A56SO540 RCD	RCD Socket Outlet 5 Pin 40A E3 Base
A56SO550 RCD	RCD Socket Outlet 5 Pin 50A E3 Base



A56C532 RCD



Item Number	Description
A56C310 RCD	RCD Switched Socket 3 Pin 10A E4 Base
A56C315 RCD	RCD Switched Socket 3 Pin 15A E4 Base
A56C410 RCD	RCD Switched Socket 4 Pin 10A E4 Base
A56C420 RCD	RCD Switched Socket 4 Pin 20A E4 Base
A56C432 RCD	RCD Switched Socket 4 Pin 32A E4 Base
A56C440 RCD	RCD Switched Socket 4 Pin 40A E4 Base
A56C450 RCD	RCD Switched Socket 4 Pin 50A E4 Base
A56C510 RCD	RCD Switched Socket 5 Pin 10A E4 Base
A56C520 RCD	RCD Switched Socket 5 Pin 20A E4 Base
A56C532 RCD	RCD Switched Socket 5 Pin 32A E4 Base
A56C540 RCD	RCD Switched Socket 5 Pin 40A E4 Base
A56C550 RCD	RCD Switched Socket 5 Pin 50A E4 Base

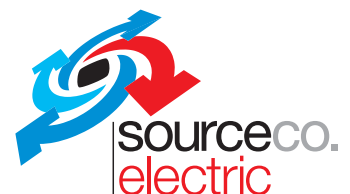
Features:

- Kits include JVL1-63-2P 40A or 4P 40A/63A
- Kits sold unassembled
- Multi combination
- 10-50A
- 3, 4 and 5 Pin Outlets



To Order Now Phone: 1300 797 747

F: +61 (0)7 5564 6638 E: info@sourceco.com

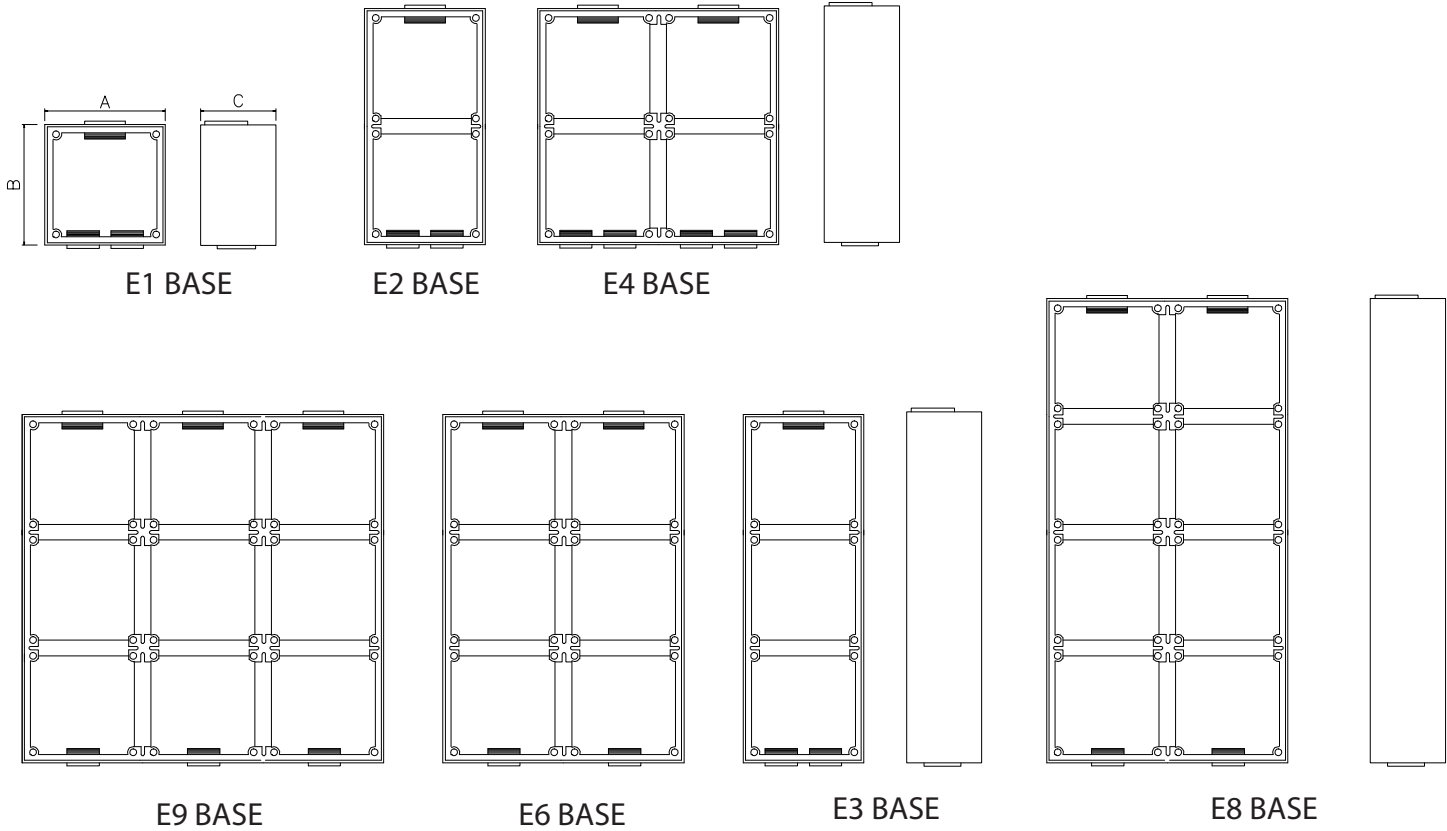


WEATHER PROTECTED: ENCLOSURES



E9 BASE

Item Number	Description	Dimensions (mm)		
		A	B	C
E1 base	Mounting Base 1 Module	102	102	60
E2 base	Mounting Base 2 Module	102	200	60
E3 base	Mounting Base 3 Module	102	295	60
E4 base	Mounting Base 4 Module	200	200	60
E6 base	Mounting Base 6 Module	200	295	60
E8 base	Mounting Base 8 Module	200	393	60
E9 base	Mounting Base 9 Module	295	295	60



To Order Now Phone: 1300 797 747

F: +61 (0)7 5564 6638 E: info@sourceco.com

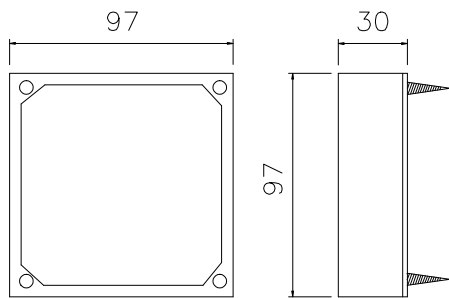
WEATHER PROTECTED: ENCLOSURES



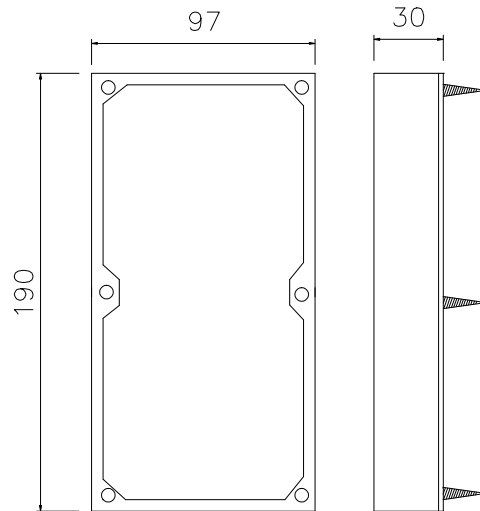
E1 COVER



E2 COVER



E1 COVER



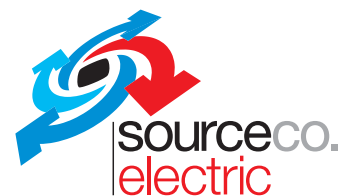
E2 COVER

Item Number	Description
E1 cover	Cover to suit Mounting Base 1 Module
E2 cover	Cover to suit Mounting Base 2 Module



To Order Now Phone: 1300 797 747

F: +61 (0)7 5564 6638 E: info@sourceco.com



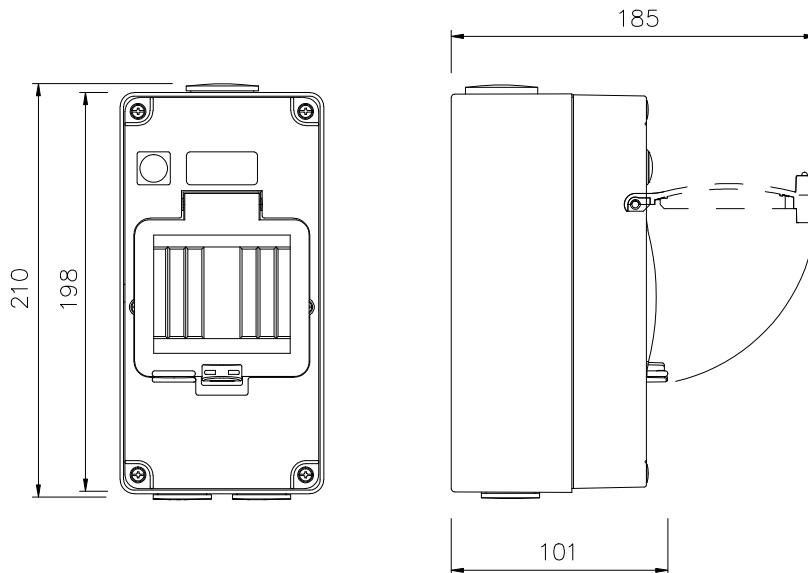
WEATHER PROTECTED: ENCLOSURES



A56CB4N



A56CB4NWO
(without indicator light)



Item Number	Description	IP Rating
A56CB4N	RCD Enclosure 4 Pole	IP 66
A56CB4NLB	RCD Enclosure 4 Pole less base	IP 66
A56CB4NWO	RCD Enclosure 4 Pole without Indicator light	IP 66



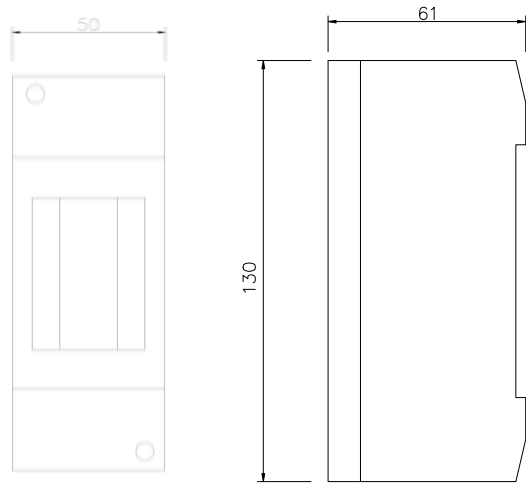
To Order Now Phone: 1300 797 747

F: +61 (0)7 5564 6638 E: info@sourceco.com

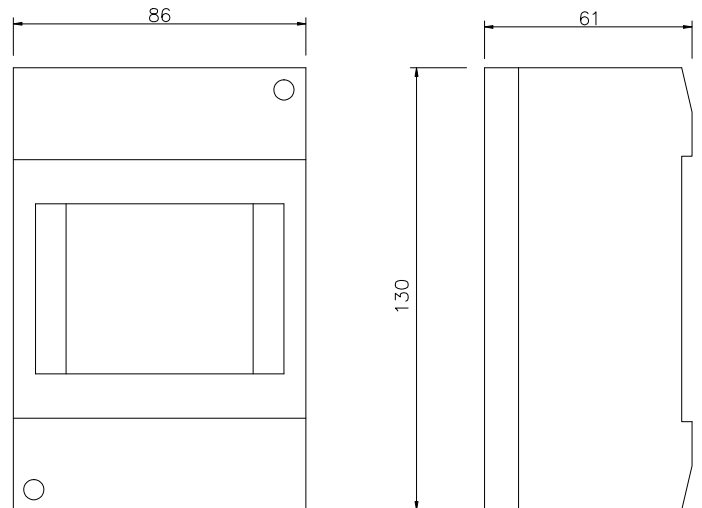
ENCLOSURES



02PVCELCB



04PVCELCB



Features:

- Includes security eyelet

Item Number	Description	Mounting Hole Diameter
02PVCELCB	RCD Enclosure 2 Pole DIN Rail	5mm
04PVCELCB	RCD Enclosure 4 Pole DIN Rail	5mm



To Order Now Phone: 1300 797 747

F: +61 (0)7 5564 6638 E: info@sourceco.com



ENCLOSURES



12PVCLC



24PVCLC



36PVCLC

Description:

Modern, attractive design with a tinted transparent door. Regis load centres are suitable for all domestic and commercial installations. They come complete with DIN rail, split neutral and earth bars, ample cable room and available in a large range of sizes.

Features:

- Minimum IP40 protection
- DIN rail mounting
- Complete with split neutral and earth bar
- 4, 6, 8, 12, 18, 24, 36 pole
- Fully moulded, rigid plastic construction
- Tinted door

SURFACE MOUNTED

Item Number	Description	Mounting Hole Diameter
04PVCLC	Distribution Board PVC 4 Pole Surface Mount	6mm
06PVCLC	Distribution Board PVC 6 Pole Surface Mount	6mm
08PVCLC	Distribution Board PVC 8 Pole Surface Mount	6mm
12PVCLC	Distribution Board PVC 12 Pole Surface Mount	6mm
18PVCLC	Distribution Board PVC 18 Pole Surface Mount	6mm
24PVCLC	Distribution Board PVC 24 Pole Surface Mount	6mm
36PVCLC	Distribution Board PVC 36 Pole Surface Mount	6mm

FLUSH MOUNTED

Item Number	Description
12PVCLCF	Distribution Board PVC 12 Pole Flush Mount
18PVCLCF	Distribution Board PVC 18 Pole Flush Mount
24PVCLCF	Distribution Board PVC 24 Pole Flush Mount

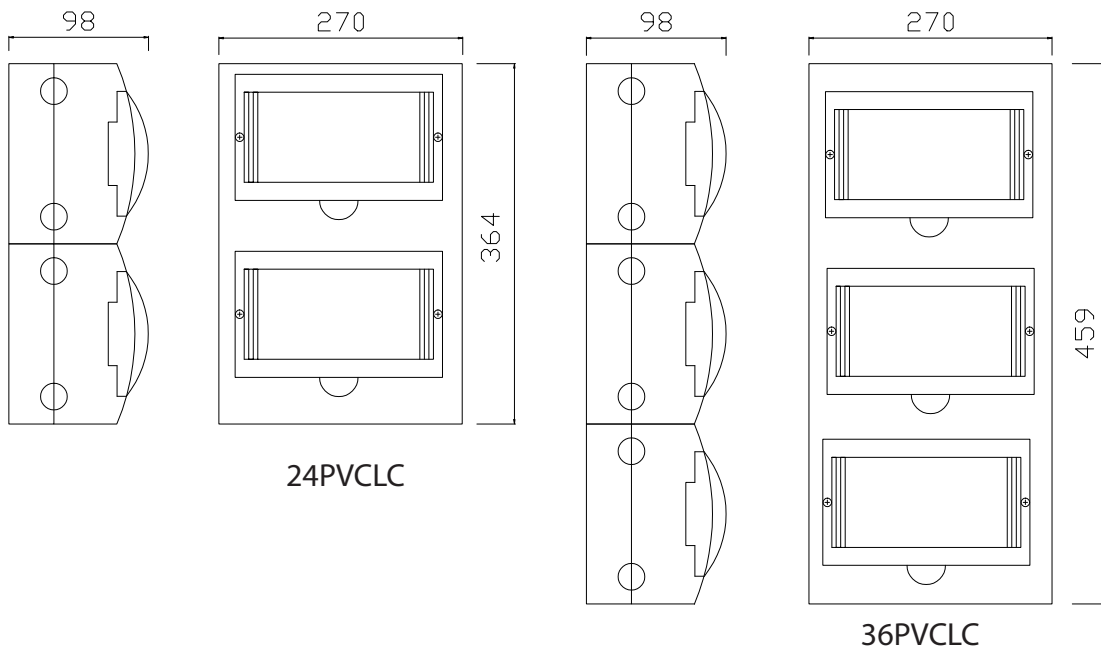
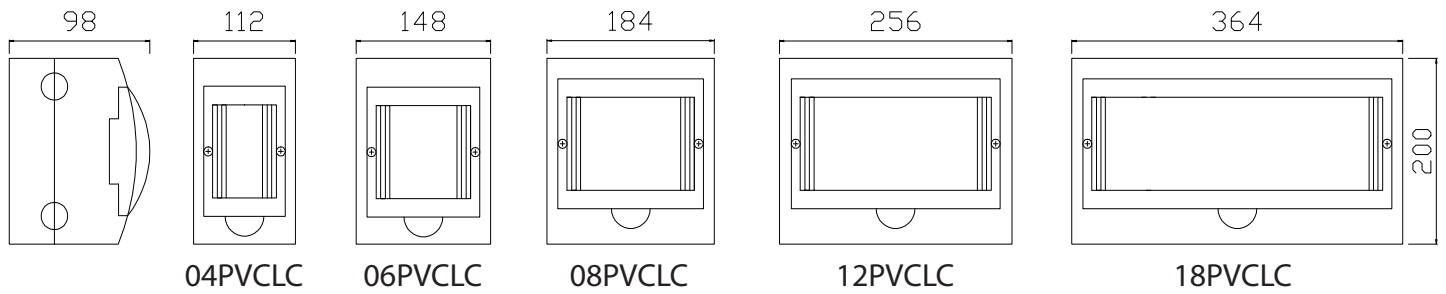


To Order Now Phone: 1300 797 747

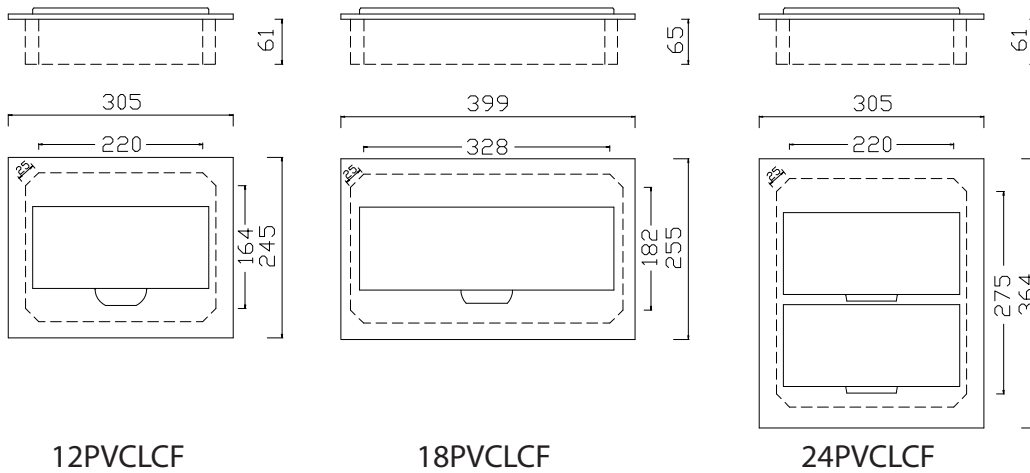
F: +61 (0)7 5564 6638 E: info@sourceco.com

ENCLOSURES

SURFACE MOUNTED



FLUSH MOUNTED



To Order Now Phone: 1300 797 747

F: +61 (0)7 5564 6638 E: info@sourceco.com



ACTIVE LINKS

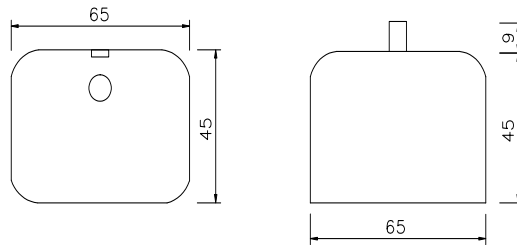


NLB165 A7

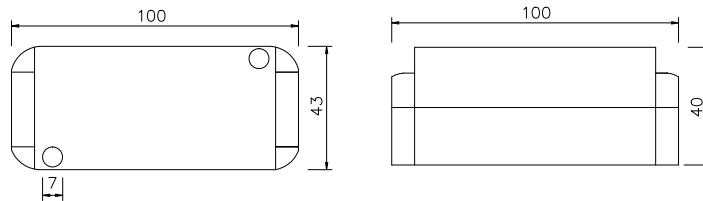
ALR140 A4

ALR350 A13

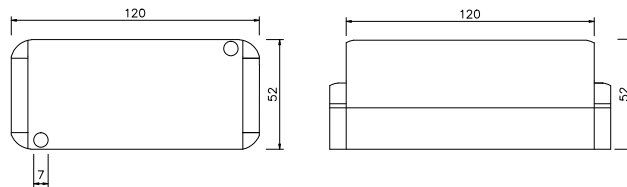
4 Holes



7 Holes



13 Holes



Item Number	Description	Holes	Terminal Screw Size	Amperage
ALR140 A4	Active Link Red 4 hole 140A	4	Rigid Conductor up to 50mm ²	140
ALR165 A7	Active Link Red 7 hole 165 A	7	Rigid Conductor up to 50mm ²	165
ALR350 A13	Active Link Red 13 hole 350 A	13	Rigid Conductor up to 150mm ²	350
NLB140 A4	Neutral Link Black 4 hole 140A	4	Rigid Conductor up to 50mm ²	140
NLB165 A7	Neutral Link Black 7 hole 165A	7	Rigid Conductor up to 50mm ²	165
NLB350 A13	Neutral Link Black 13 hole 350A	13	Rigid Conductor up to 150mm ²	350



To Order Now Phone: 1300 797 747

F: +61 (0)7 5564 6638 E: info@sourceco.com

CABLE GLANDS



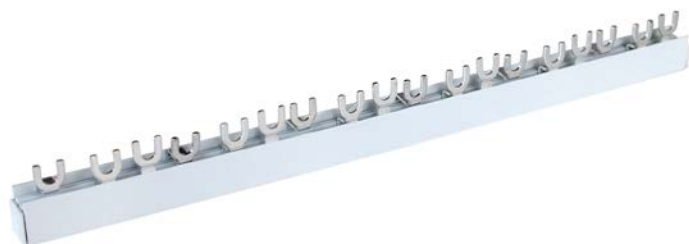
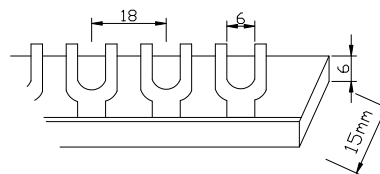
MG20, MG32, MG50

Item Number	Description	Panel Mounting Hole Diameter	Thread Length	Cable Range Diameter
MG12-8B	Cable Gland Nylon 12mm	12.5mm	8.5	4.6-7.6mm
MG16-10B	Cable Gland Nylon 16mm	16.5mm	15	6-10mm
MG20-14B	Cable Gland Nylon 20mm	20.5mm	15	9-14mm
MG25-18B	Cable Gland Nylon 25mm	25.5mm	15	13-18mm
MG32-25B	Cable Gland Nylon 32mm	33mm	15	18-25mm
MG40-30B	Cable Gland Nylon 40mm	41mm	20	24-30mm
MG50-40B	Cable Gland Nylon 50mm	51mm	22	30-39mm
MG63-49B	Cable Gland Nylon 63mm	64mm	25	40-48.5mm

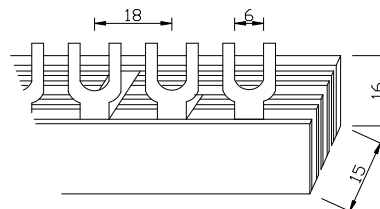
BUS COMBS



BUS COMB 1 POLE



BUS COMB 3 POLE



Item Number	Description	Conductor Compound	Insulator Compound
Bus-comb1P	Bus-comb 1 Phase 18 way 100A	Silver plated, 99% Copper	PVC /30% Nylon
Bus-comb3P	Bus-comb 3 Phase 18 way 100A	Silver plated, 99% Copper	PVC /30% Nylon

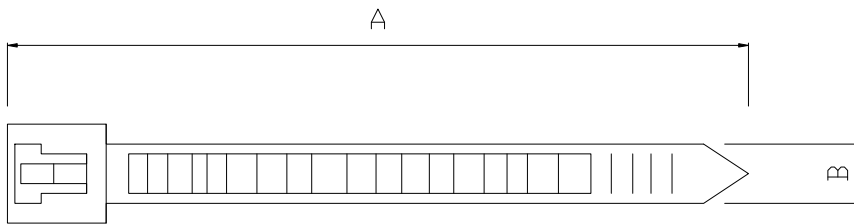


To Order Now Phone: 1300 797 747

F: +61 (0)7 5564 6638 E: info@sourceco.com



CABLE TIE



Item Number	Dimensions (mm)	
	A	B
CT2.5x80	80	2.5
CT2.5x200	200	2.5
CT3.5x200	200	3.5
CT3.5x300	300	3.5
CT4.8x300	300	4.8
CT4.8x500	500	4.8
CT7.2x300	300	7.2
CT9.0x400	400	9.0

Sold in bags of 100

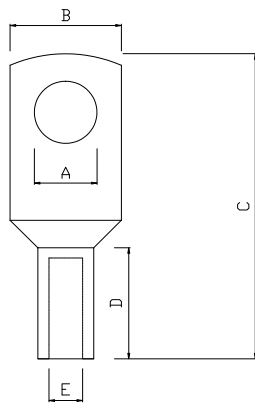
Item Number	Description	Plastic Compound	UV Resisting	Operating Temperature
CT2.5 x 80	Cable tie 2.5 x 80mm Pack of 100	Nylon	UL 94V-2	-40°C to 85°C
CT2.5 x 200	Cable tie 2.5 x 200mm Pack of 100	Nylon	UL 94V-2	-40°C to 85°C
CT3.5 x 200	Cable tie 3.5 x 200 mm Pack of 100	Nylon	UL 94V-2	-40°C to 85°C
CT3.5 x 300	Cable tie 3.5 x 300 mm Pack of 100	Nylon	UL 94V-2	-40°C to 85°C
CT4.8 x 300	Cable tie 4.8 x 300 mm Pack of 100	Nylon	UL 94V-2	-40°C to 85°C
CT4.8 x 500	Cable tie 4.8 x 500 mm Pack of 100	Nylon	UL 94V-2	-40°C to 85°C
CT7.2 x 300	Cable tie 7.2 x 300 mm Pack of 100	Nylon	UL 94V-2	-40°C to 85°C
CT9.0 x 400	Cable tie 9.0 x 400 mm Pack of 100	Nylon	UL 94V-2	-40°C to 85°C



To Order Now Phone: 1300 797 747

F: +61 (0)7 5564 6638 E: info@sourceco.com

CABLE LUGS



Cable lugs range

Item Number	Description	Dimensions (mm)				
		A	B	C	D	E
SC2.5-6	Cable Lug 2.5mm ² - Hole 6mm	6	10	20	8	2
SC4-6	Cable Lug 4mm ² - Hole 6mm	6	9	22	7	3
SC6-6	Cable Lug 6mm ² - Hole 6mm	6	9	24	9	4
SC10-6	Cable Lug 10mm ² - Hole 6mm	6	10	25	10	5
SC16-10	Cable Lug 16mm ² - Hole 10mm	10	14	33	12	5
SC25-10	Cable Lug 25mm ² - Hole 10mm	10	14	34	13	7
SC35-10	Cable Lug 35mm ² - Hole 10mm	10	15	40	15	8
SC35-12	Cable Lug 35mm ² - Hole 12mm	12	15	40	15	8
SC50-10	Cable Lug 50mm ² - Hole 10mm	10	17	44	17	9
SC50-12	Cable Lug 50mm ² - Hole 12mm	12	17	44	17	9
SC70-10	Cable Lug 70mm ² - Hole 10mm	10	20	50	19	12
SC70-12	Cable Lug 70mm ² - Hole 12mm	12	20	50	19	12
SC95-10	Cable Lug 95mm ² - Hole 10mm	10	24	54	20	13
SC95-12	Cable Lug 95mm ² - Hole 12mm	12	24	54	20	13
SC120-10	Cable Lug 120mm ² - Hole 10mm	10	27	63	26	15
SC120-12	Cable Lug 120mm ² - Hole 12mm	12	27	63	26	15
SC150-12	Cable Lug 150mm ² - Hole 12mm	12	30	67	25	17
SC185-12	Cable Lug 185mm ² - Hole 12mm	12	33	77	31	18
SC240-12	Cable Lug 240mm ² - Hole 12mm	12	38	83	33	21
SC300-12	Cable Lug 300mm ² - Hole 12mm	12	43	98	39	23
SC400-12	Cable Lug 400mm ² - Hole 12mm	12	49	111	46	27

Sold individually

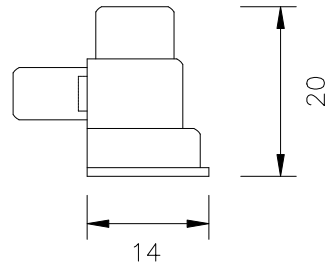


To Order Now Phone: 1300 797 747

F: +61 (0)7 5564 6638 E: info@sourceco.com

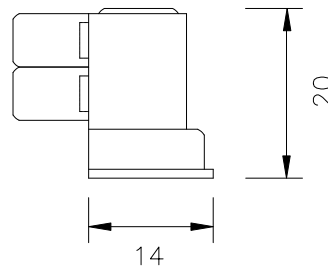


CABLE JOINER



CJ1 - Single Screw Connector

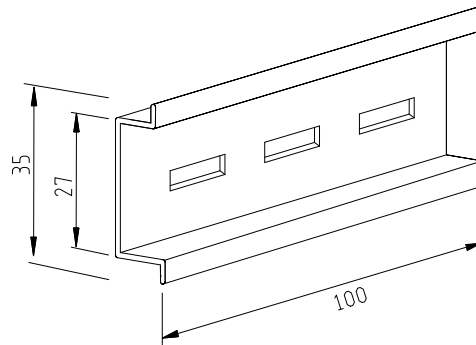
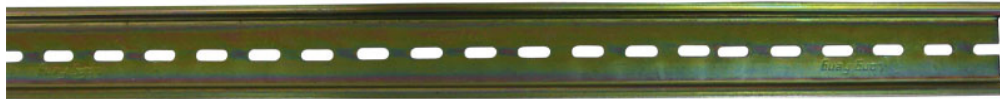
- Connectors can accept 1 x 16mm square cable
- Sold in multiples of 100



CJ2 - Double Screw Connector

- Connectors can accept 1 x 16mm square cable
- Sold in multiples of 50

DIN RAIL



Sold in 1 metre lengths

BUSBAR INSULATORS

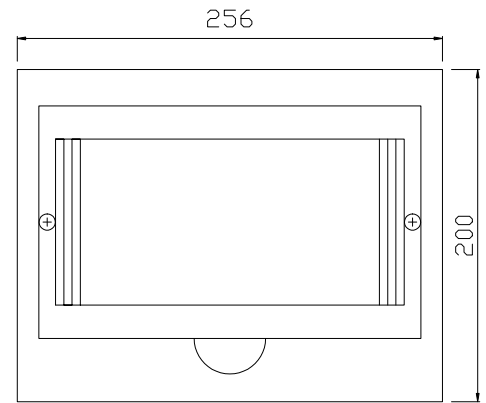
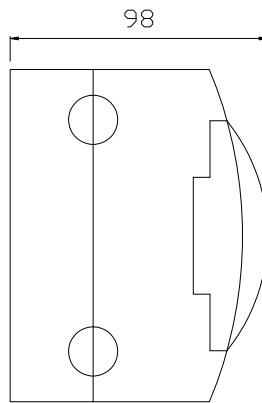
Item	Description
SM51	Insulated Stand-off 51mm Red
SM76	Insulated Stand off 76mm Red



To Order Now Phone: 1300 797 747

F: +61 (0)7 5564 6638 E: info@sourceco.com

HOUSE PACK 12



HOUSE PACK 12

**Sold as an unassembled kit*

Kit consists of:

Item	Description	Quantity
JV16-63-1P	Main Switch 1 Pole 63A	1
JVL1-63-2P-40A	RCD 6kA 30mA 2 Pole 40A	2
JVM2-63-1P-10A	MCB 6kA 1 Pole 10A	2
JVM2-63-1P-16A	MCB 6kA 1 Pole 16A	3
12PVCLC	Distribution Board PVC 12P Surface Mount	1

**Different configurations available. Please discuss options with our sales representative at the time of order*

POLE FILLER



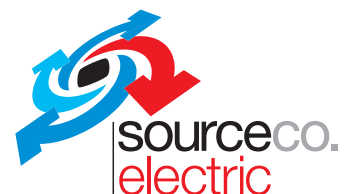
Pole Filler

Item	Description
Pole Filler	Pole Filler Set of 6



To Order Now Phone: 1300 797 747

F: +61 (0)7 5564 6638 E: info@sourceco.com



EMERGENCY LIGHT TEST KIT



EMTEST

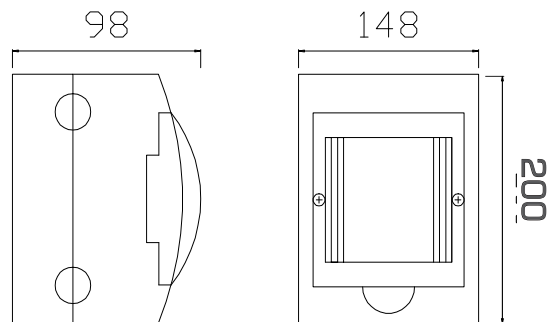
Emergency Light Test Kit - wired ready

- Active and neutral are ready to be wired into control circuit breaker and neutral bar
- 1 Phase

**Different configurations available. Please discuss options with our sales representative at the time of order*



EMTEST ENC



Enclosed Emergency Light Test Kit - wired ready

- Enclosed in product item number 06PVCLC

**Different configurations available. Please discuss options with a sales representative at the time of order*



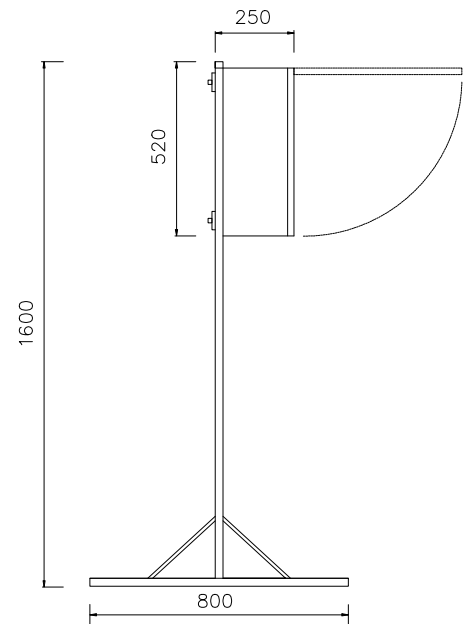
To Order Now Phone: 1300 797 747

F: +61 (0)7 5564 6638 E: info@sourceco.com

TEMPORARY POWER BOARDS



TPB-1PT5



Available in both single and three phase configurations, all come site-ready, with three active links and a neutral link mounted within the enclosure. RCD cover is lockable and a standard feature. All available with optional Combination Switch Sockets. Powder coating optional.

Code:

Single Phase Board complete with:

TPB-1PT4	4 x 10 Amp double GPO / 1 x 15 Amp single GPO
TPB-1PT5	5 x 10 Amp double GPO / 1 x 15 Amp single GPO
TPB-1PT5 NSW	5 x 10 Amp double GPO double pole / 1 x 15 Amp single GPO double pole
TPB-1PT6	6x 10 Amp double GPO / 1 x 15 Amp single GPO

Code:

Three Phase Board complete with:

TPB-3PT4	4 x 10 Amp double GPO / 1 x 15 Amp single GPO
TPB-3PT5	5 x 10 Amp double GPO / 1 x 15 Amp single GPO
TPB-3PT6	6x 10 Amp double GPO / 1 x 15 Amp single GPO

Code:

Replacement Accessories Available:

TPB-RCD Cover 12P	Safety Cover 12P T/S TPB RCD
TPB-RCD Cover 16P	Safety Cover 16P T/S TPB RCD
TPBLH	Lead Hook 600mm
TBPS1	Stand Site Board 1600mm

Features:

- Maximum size for incoming cables is 35mm²
- Lockable door can be closed with leads plugged in
- Fully compliant to AS/NZ3012 and Queensland code of practise
- IP23
- Includes insulated lead hook, RCD/MCB lockable cover
- Custom made boards available



To Order Now Phone: 1300 797 747

F: +61 (0)7 5564 6638 E: info@sourceco.com



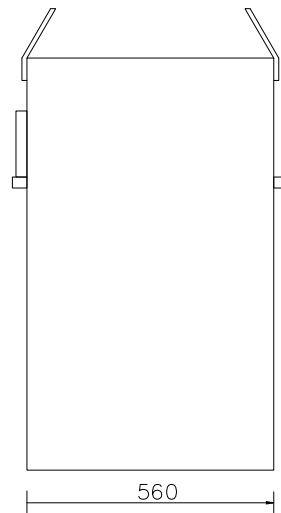
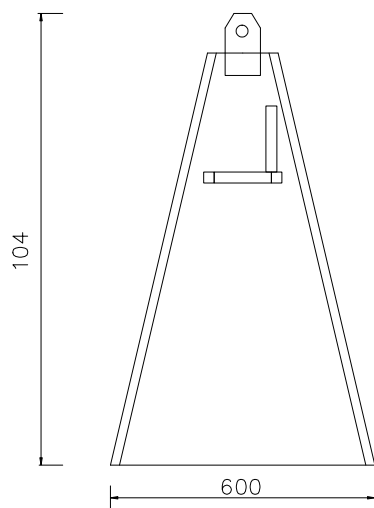
A FRAME POWER BOARDS



TPBAF-3PT5



TPBAF-3PT5



Code:

TPBAF-3PT5

3 Phase board complete with:

5 x 10 Amp double GPO / 1 x 15 Amp single GPO 100A FCL 1N0 32A 5 pin outlet

- Robust heavy duty, light weight aluminium
- IP42
- Includes insulated lead hook
- Full electrical expansion capability
- Potential fault current up to 80Ka.
- Custom panels available



To Order Now Phone: 1300 797 747

F: +61 (0)7 5564 6638 E: info@sourceco.com

SWITCHBOARDS



Product range

Source Co Electric has the design solution, our products include Custom Built Switchboards, Meter Panels, Motor Control, Distribution Boards, and Temporary Power Boards and come in a complete range of fully type tested 630A - 2000A.

Design

- Type tested 2000A - 63 kA/for 1s
- Fully welded up to IP66
- 2.0mm Powder Coat
- Stainless Steel available
- Full CAD drawings
- AS 3439 Compliant
- Forms 1-4
- Main boards
- Metering
- Control wiring
- Load Centres
- Any brand switchgear - ABB, GE, SCHNEIDER

SOLAR SOLUTIONS



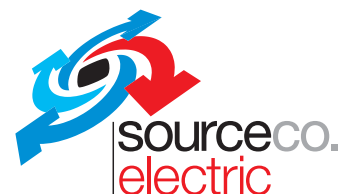
Product range

Source Co Electric supplies a range of Solar products, that encompasses solar PV panels, inverters and solar accessories. Source Co Electric is able to provide you with solar solutions for a range of projects and applications, including domestic and commercial.



To Order Now Phone: 1300 797 747

F: +61 (0)7 5564 6638 E: info@sourceco.com



BUSDUCT

Reliable Efficient Cost-Effective Electrical Distribution System



Busduct Solutions - LV, MV, HV & Cast Resin

Source Co Electric provides a comprehensive service for the supply of Busduct power distribution solutions to projects throughout Australia. Busduct provides a flexible, reliable, efficient and space saving distribution system that offers superior performance.



Completed Projects

With years of industry experience and excellent customer service, the Source Co Electric team are proud to have successfully supplied busduct systems to some major key projects.



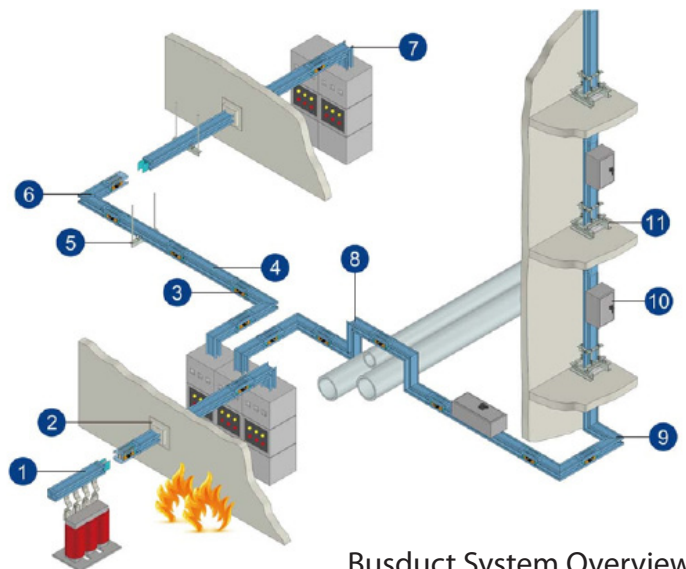
Contact Us

For technical information, pricing or to discuss the distribution solutions available please contact us. Cable vs busduct price comparison costing service provided.



Equipment list

- 1 Transformer Connection Unit
- 2 Wall Flange
- 3 Joint
- 4 Straight Length
- 5 Hanger
- 6 Flatwise Elbow
- 7 Edgewise Elbow
- 8 Edgewise Offset
- 9 Nonstandard Elbow
- 10 Plug in Box
- 11 Spring Hanger



Busduct System Overview



To Order Now Phone: 1300 797 747

F: +61 (0)7 5564 6638 E: info@sourceco.com

WARRANTY

Warranty:

Any goods that are sold by Source Co Electric Pty Ltd (The Company) will be guaranteed against faulty workmanship, materials or design for a period of 12 months from the date of installation, or 18 months from the date of dispatch by The Company or unless otherwise specified. After this period all liability on the part of The Company ceases.

The company will make good, replace or repair at its expense any defective goods provided that: the product has been installed and utilised for the purpose for which it was designed and in accordance with the manufacturer's instruction.

The Company is notified within 30 days of the alleged defect occurring, and within the warranty period.

The defective part is made available to The Company, unless prior arrangements are agreed upon.

This warranty does not apply in the following situations:

- Failure resulting from normal wear and tear.
- Failure resulting from inadequate maintenance, care, or improper use.
- Failure due to circumstances beyond the normal control of The Company.

The Company is not responsible for, and purchaser hereby agrees to bear, the costs of any on-site labor and any costs associated with the installation, removal, reinstallation or transportation of any product or any components.



To Order Now Phone: 1300 797 747

F: +61 (0)7 5564 6638 E: info@sourceco.com

The Company is not responsible for any special incidental, consequential or punitive damages arising from the use, or loss of use of, or failure, of any product to perform as warranted, including but not limited to damages for lost services, cost of substitute services, lost profits or savings, and expenses arising out of third-party claims.

The fulfillment of this undertaking shall represent the sole liability of The Company in respect to any loss of profit or consequential loss or damage experienced by the purchaser in consequence of any defect in material or workmanship of such goods or the failure of the goods to perform in accordance with any guidelines stated.

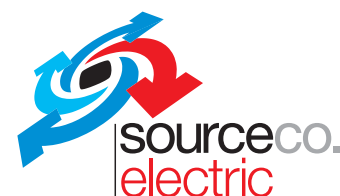
The maximum liability under any warranty, expressed, implied, or statutory, or for any manufacturing or design defects, is limited to the purchase price of the product. The purchaser's exclusive remedy for breach of warranty or for manufacturing or design defects shall be only as stated herein.

Any claim or dispute arising under or in connection with this warranty certificate must be brought in the courts of the State of Queensland, Australia or as nominated by Source Co Ltd.



To Order Now Phone: 1300 797 747

F: +61 (0)7 5564 6638 E: info@sourceco.com



Regis

Quality Electrical Products



P: 1300 797 747 | F: +61 (0)7 5564 6638
info@sourceco.com | www.sourceco.com

A: 21 Activity Crescent, Molendinar QLD, Australia, 4214
PO Box 5646, GCMC Bundall QLD, Australia, 9726